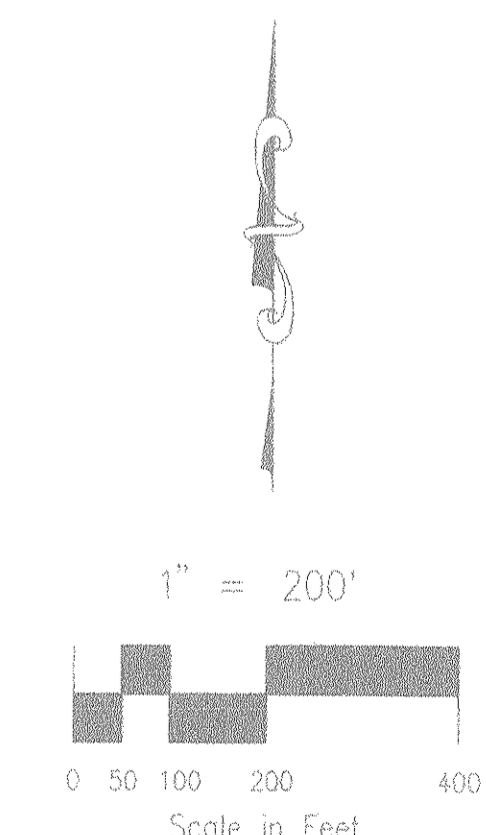


BROADMOOR RESORT COMMUNITY

NORTH MASTER DEVELOPMENT DRAINAGE PLAN



FLO
ENGINEERING
INC.
CONSULTING
ENGINEERS

CIVIL AND WATER
RESOURCES ENGINEERING
410 SOUTH FRENCH ST.
P.O. BOX 1859
BRECKENRIDGE, CO 80424
(303)450-6394

SHEET 2 OF 2

ROCKWELL
MINCHOW
CONSULTANTS, INC.

BROADMOOR RESORT COMMUNITY
TITLE: NORTH MASTER DEVELOPMENT DRAINAGE PLAN
SCALE: 1"=200' DRAWN BY: KC
DATE: 1/22/97 CHECKED BY: DAM

EXHIBIT B
FILE: 960500P.DWG 1/22/97
XREFS: 329-10.334-10.335-10.336-10.340-10.341-10
96-050
JOB NO.

SEE SHEET 1 OF 2

SEE SHEET 1 OF 2