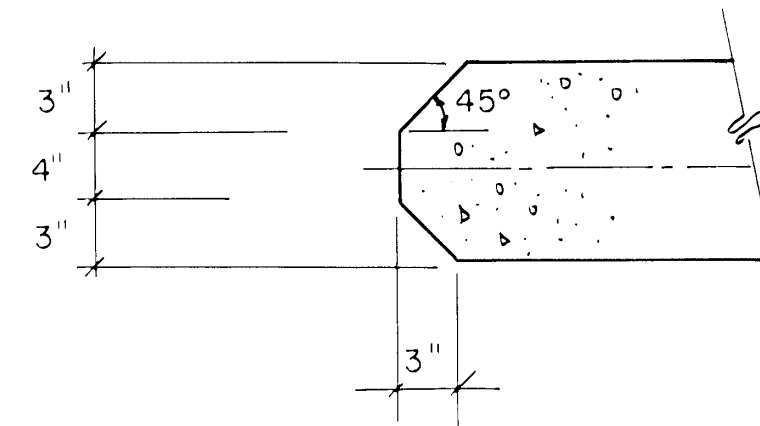
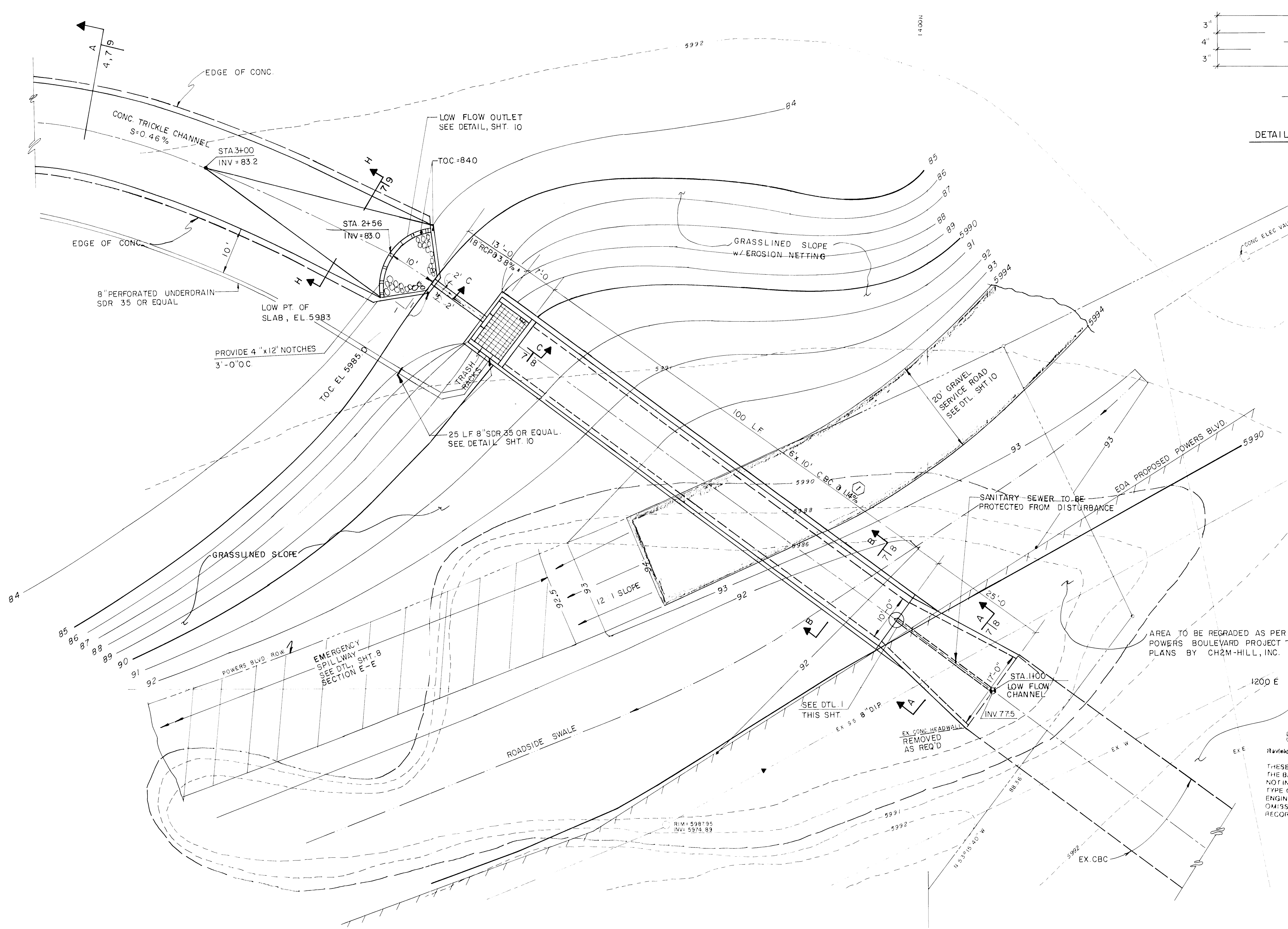


DATE	
BY	
REVISIONS	
NO.	
DATE	
BY	
DESCRIPTION	

Outlet Structure Plan
9005-07
Sheet 7

DATE	
BY	
REVISIONS	
NO.	
DATE	
BY	
DESCRIPTION	

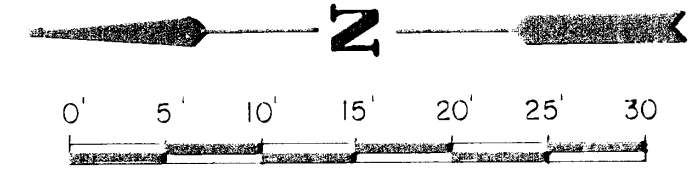
Facility: D
9005-07
Sheet 7 of 13



DETAIL 1

RECORD DRAWINGS

Revisions Drawn by *HOC* Date *2-25-92*
 THESE RECORD DRAWINGS HAVE BEEN PREPARED IN PART ON THE BASIS OF INFORMATION COMPILED BY OTHERS. THEY ARE NOT INTENDED TO REPRESENT IN DETAIL THE EXACT LOCATION, TYPE OF COMPONENT NOR MANNER OF CONSTRUCTION. THE ENGINEER WILL NOT BE RESPONSIBLE FOR ANY ERRORS OR OMISSIONS WHICH HAVE BEEN INCORPORATED INTO THE RECORD DRAWINGS.



STATEMENT
 THE CITY OF COLORADO SPRINGS RECOGNIZES THE DESIGN ENGINEER AS HAVING RESPONSIBILITY FOR THE DESIGN. THE CITY HAS LIMITED ITS SCOPE OF REVIEW ACCORDINGLY. RESUBMITTAL REQUIRED IF CONSTRUCTION HAS NOT COMMENCED WITHIN 120 DAYS AFTER REVIEW DATE.

REVIEW	DATE
STREET DESIGN	
ROUGH CUT REVIEW	
FINAL REVIEW	
DRAINAGE DESIGN	
FILED IN ACCORDANCE WITH SECTION 15-3 308 OF THE CODE OF COLORADO SPRINGS 1980, AS AMENDED	

DESIGN DATA
SIDEWALKS WIDTH
LOCATION Attached 0
Attached 8" from P.L.D.
CLRB TYPE 1 (2) 3 (3)
R/W WIDTH
STREET TYPE
ASPHALT THICKNESS
AC Surface
AC Base
AGG. BASE THICKNESS
Class 6
Class 5
Class 2

SCALE: HORIZ. 1"=10' VERT.
 BENCHMARK BRASS CAP LOCATED AT THE SW. COR. OF THE BRIDGE 2000' + WEST OF POWERS BLVD. ON U.S. 24 BRIDGE OVER SAND CREEK EL. 6190.00 U.S.G.S.

REVISIONS	DESCRIPTION	DATE
1	CONTRACT DOCUMENTS	7-16-90

ENGINEER	DESIGNED BY	DATE
Kiowa Engineering Corporation	WHY	4/90
419 W. Bijou Street	EAK	4/90
Colorado Springs, CO 80905	RNW	5/90

PROJECT	DRAINAGE BASIN	JOB NO.	SHEET
POWERS BLVD. DETENTION POND	PETERSON FIELD	89-08-16	07 OF 15

9005-07-7