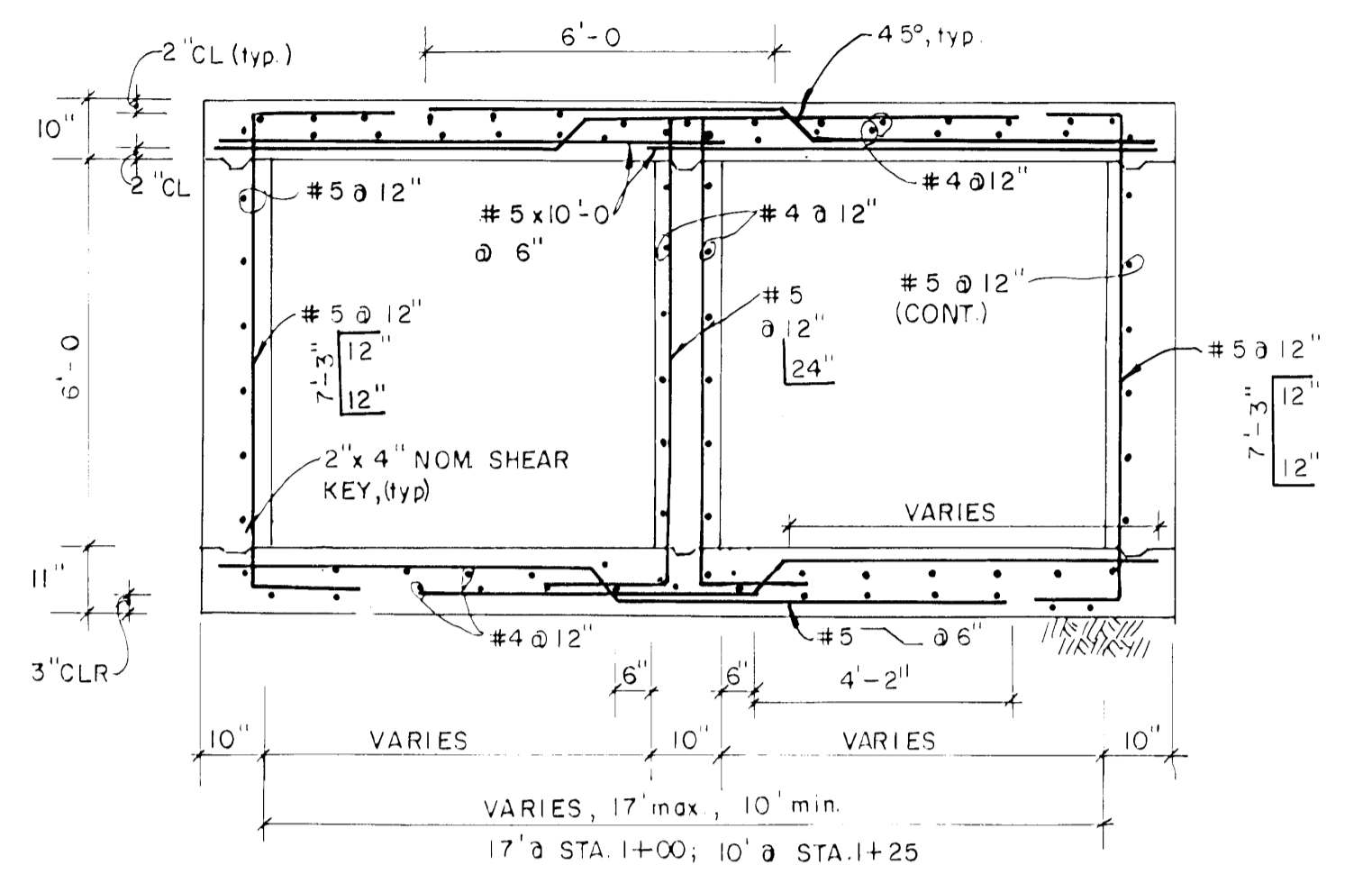


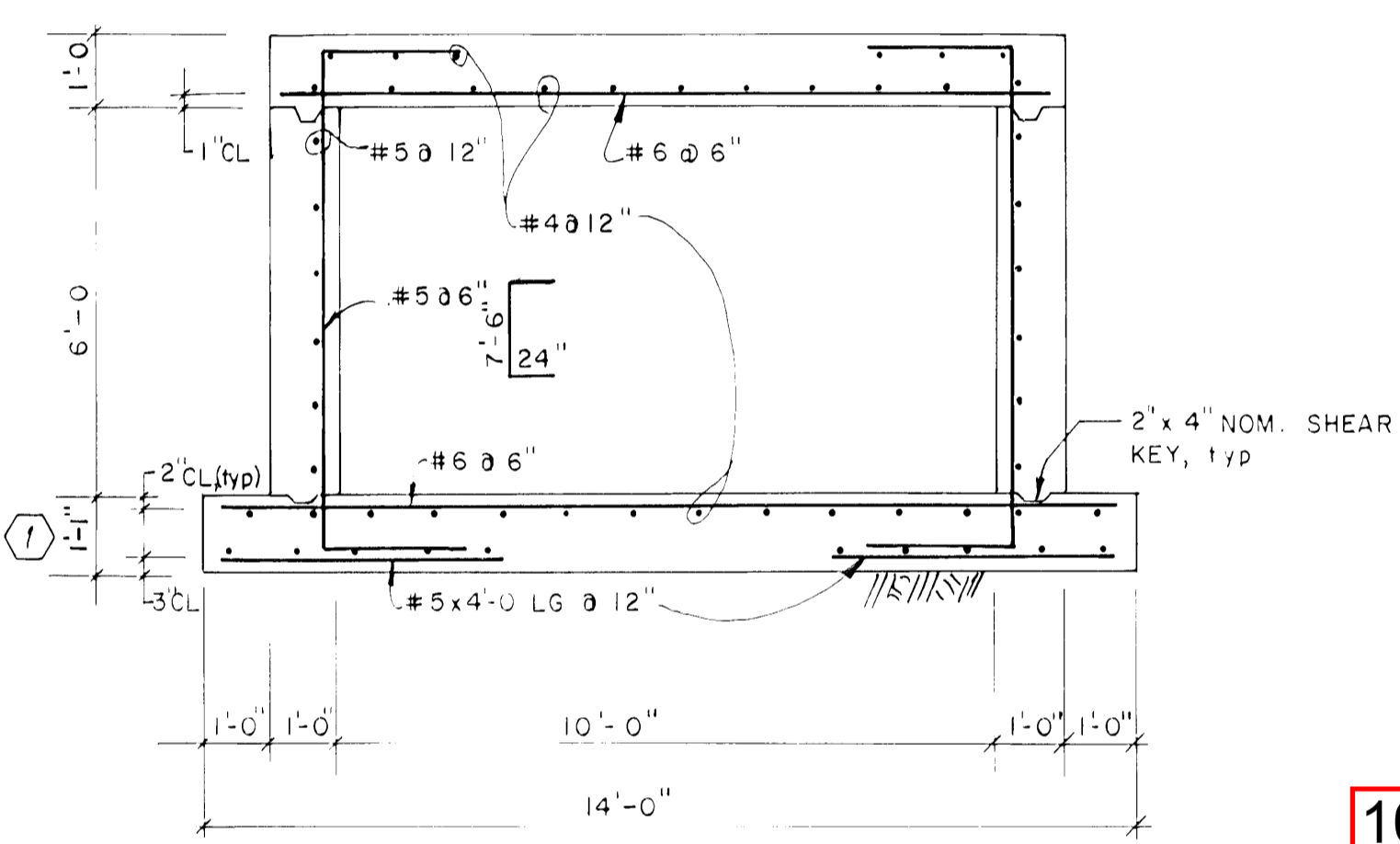
DATE	
BY	
CHECKED	
APPROVED	

DATE	
BY	
CHECKED	
APPROVED	

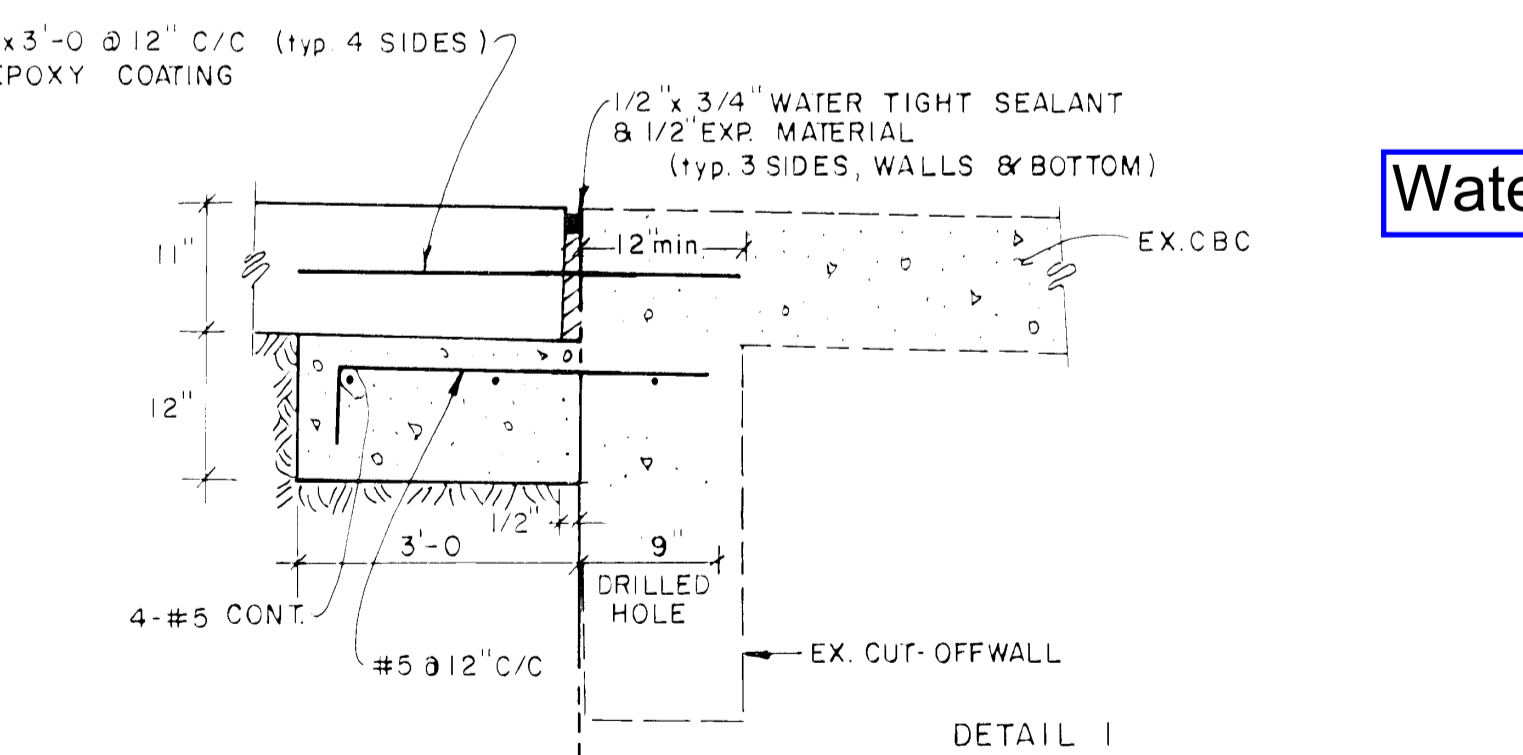
9005-07  
Sheet 8 of 13  
Facility D



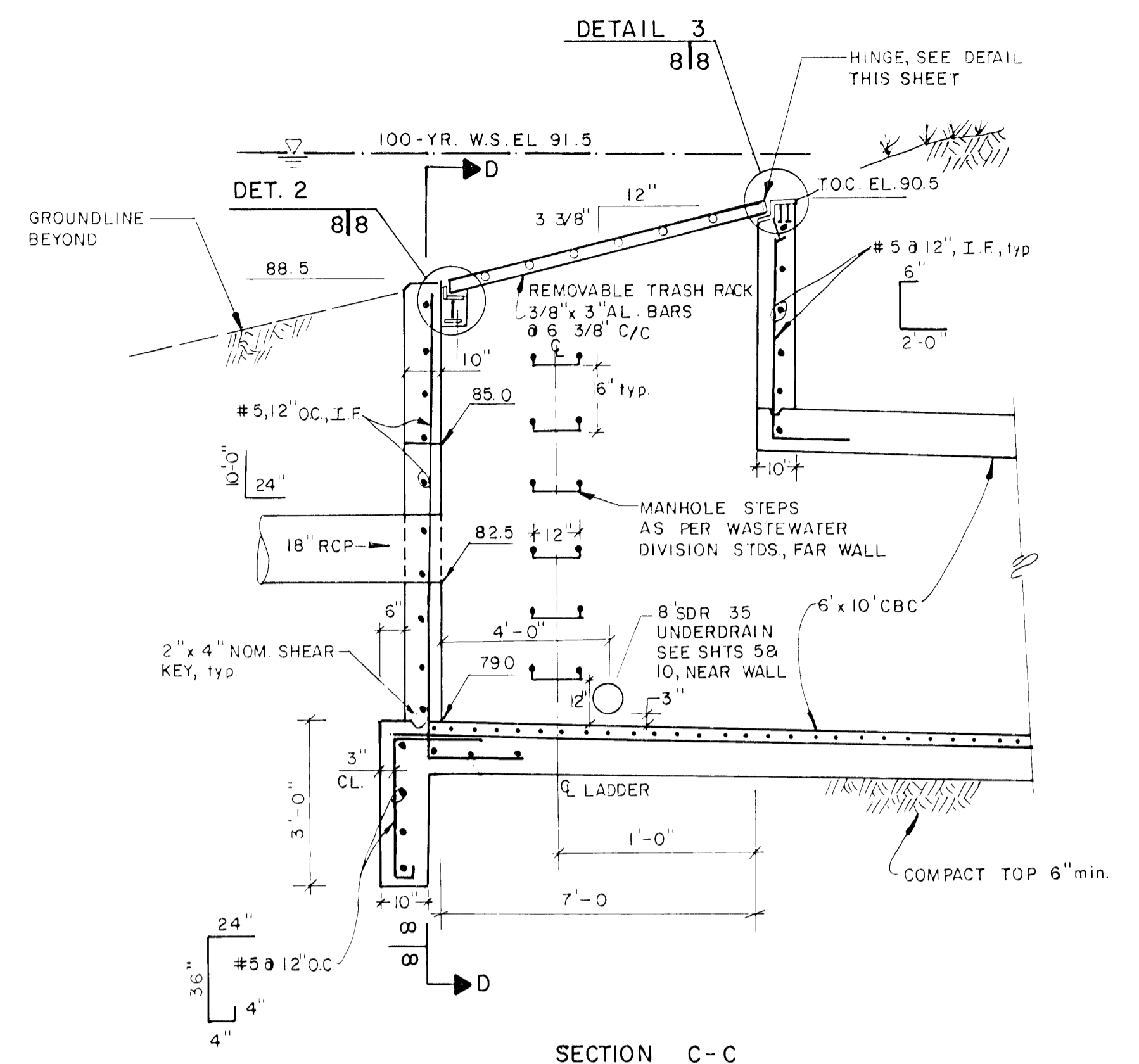
SECTION A-A  
SCALE: 3/8" = 1'-0" 7 | 8



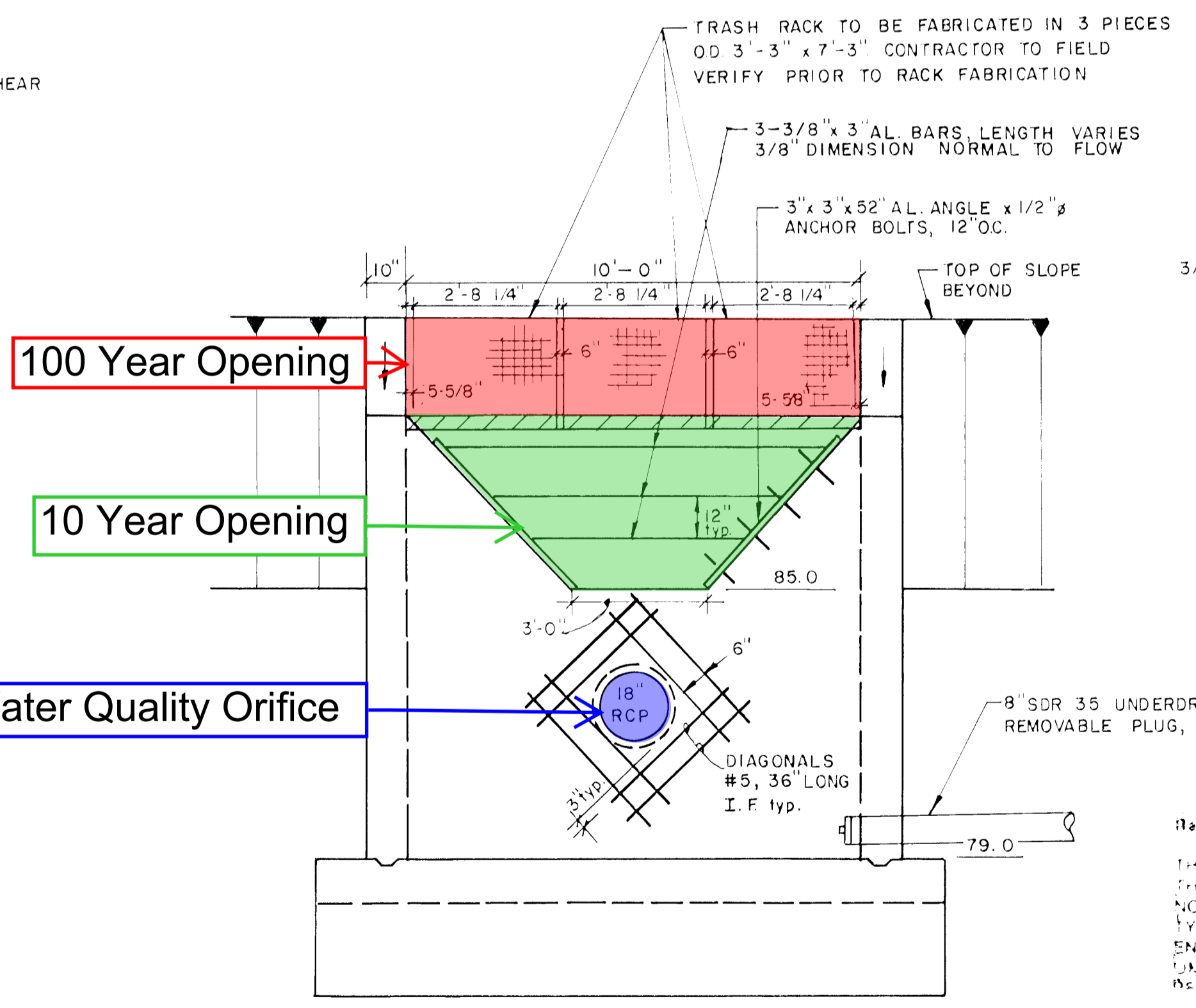
SECTION B-B  
SCALE: 3/8" = 1'-0" 7 | 8



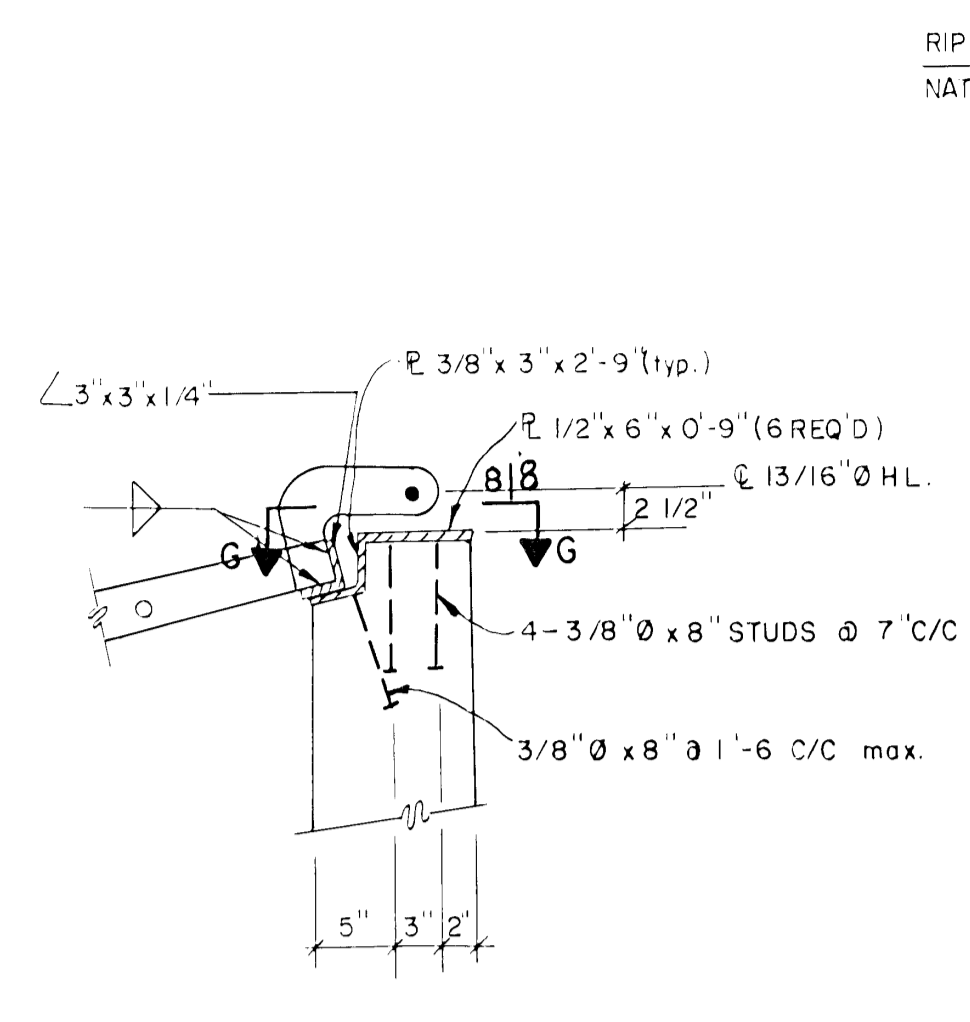
DETAIL 1  
CONSTRUCTION JOINT TO EX. CBC  
6 | 8



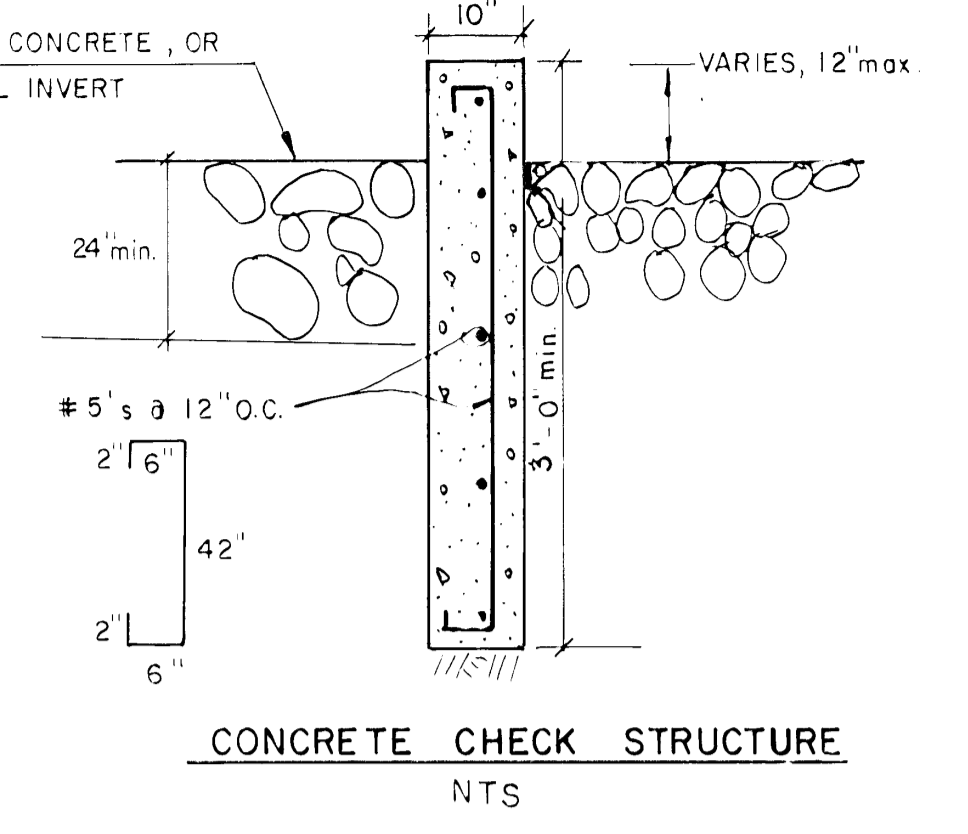
SECTION C-C  
SCALE: 3/8" = 1'-0" 7 | 8



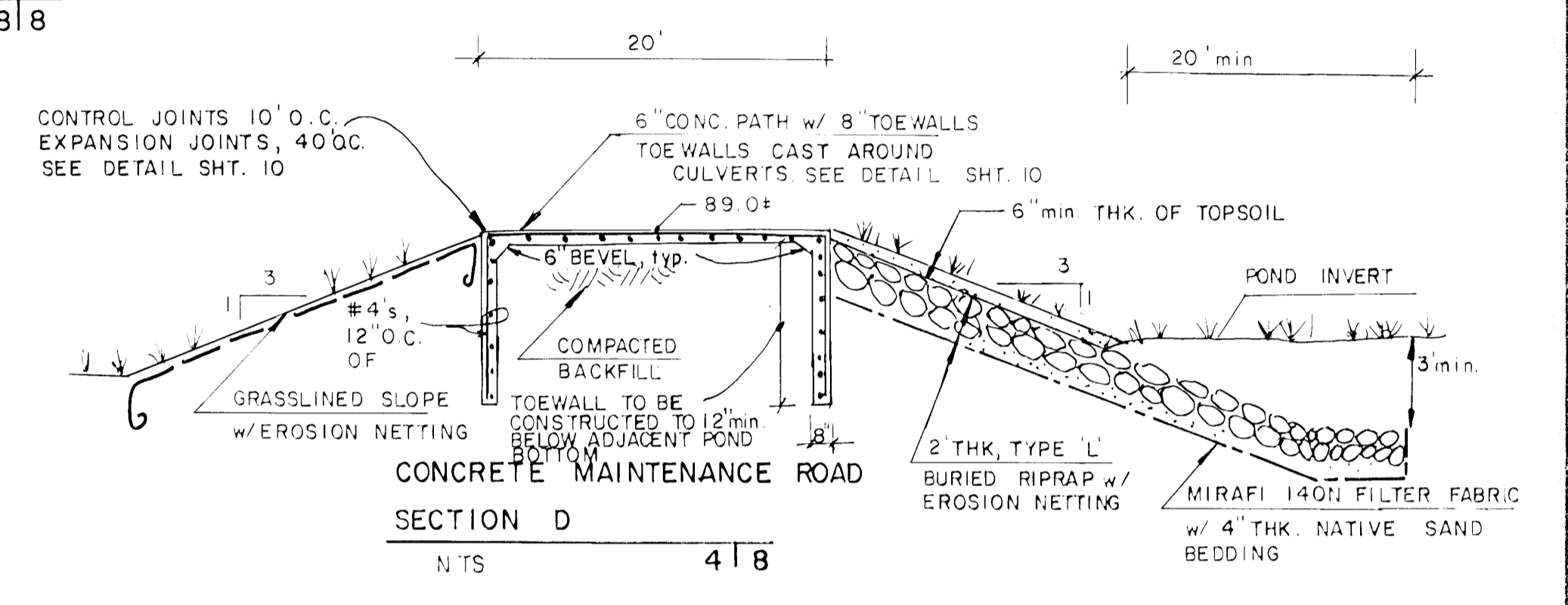
SECTION D-D  
SCALE: 3/8" = 1'-0" 8 | 8



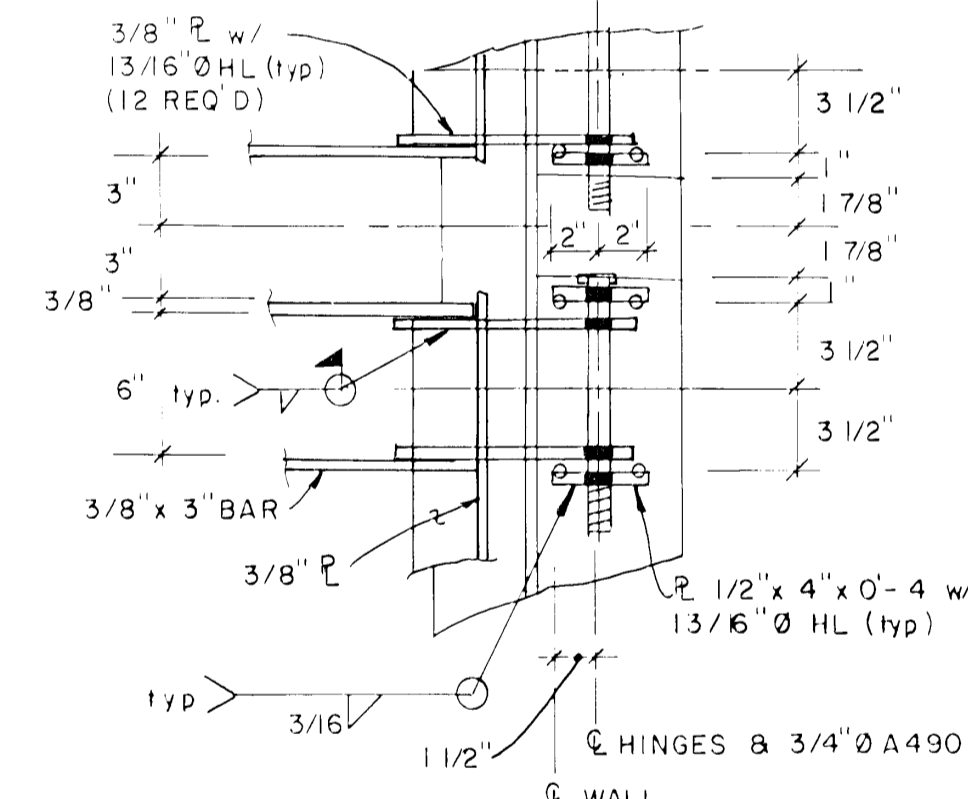
DETAIL 3  
SCALE: 1" = 1'-0" 8 | 8



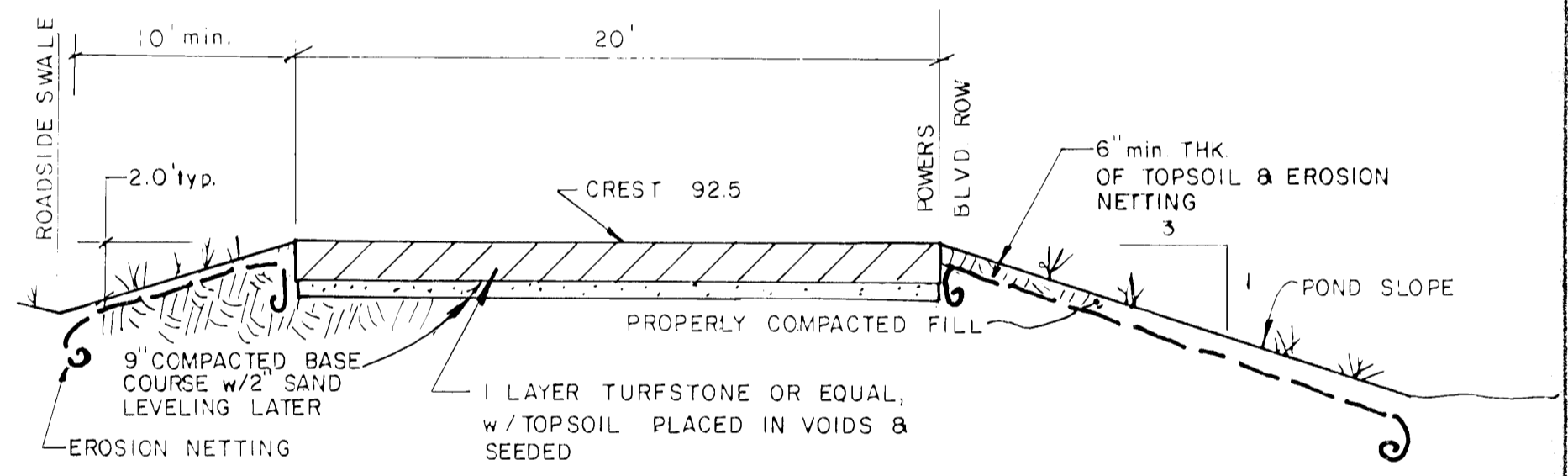
CONCRETE CHECK STRUCTURE  
NTS



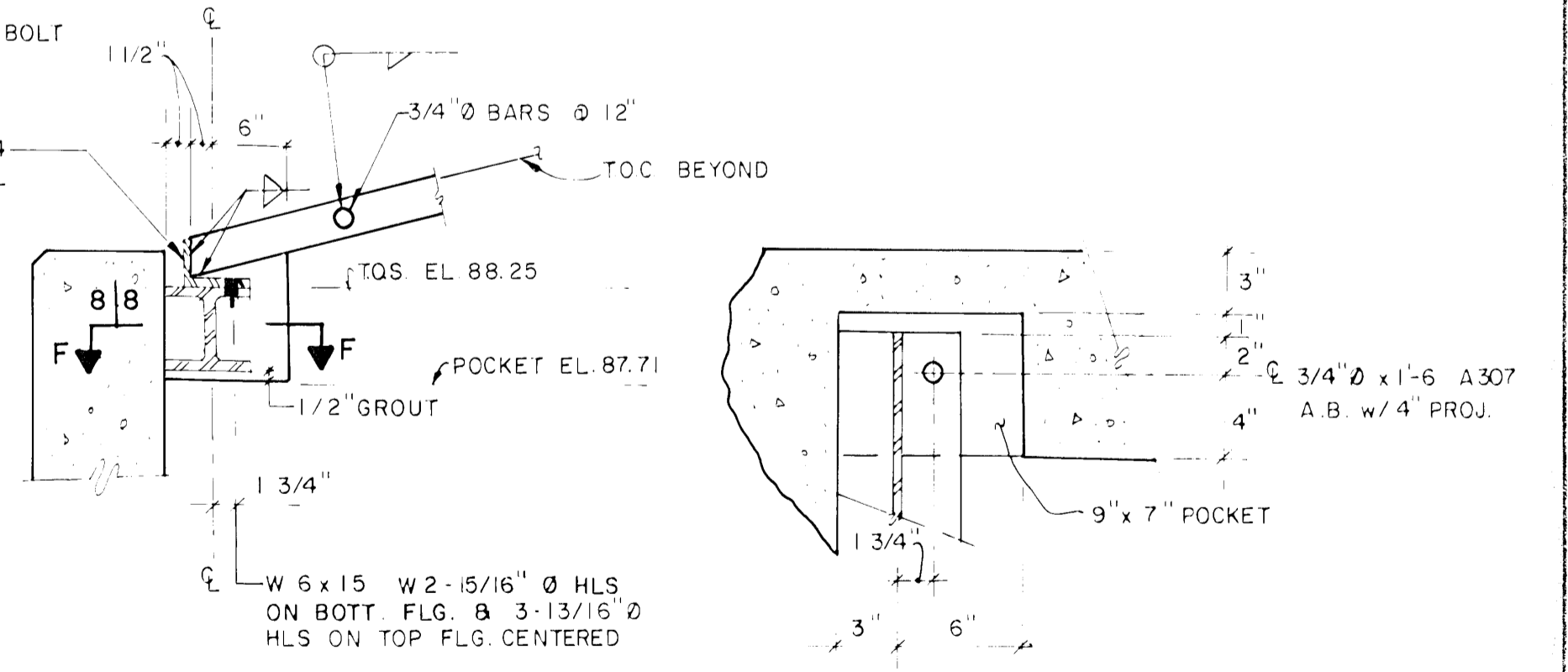
SECTION D  
CONCRETE MAINTENANCE ROAD  
NTS 4 | 8



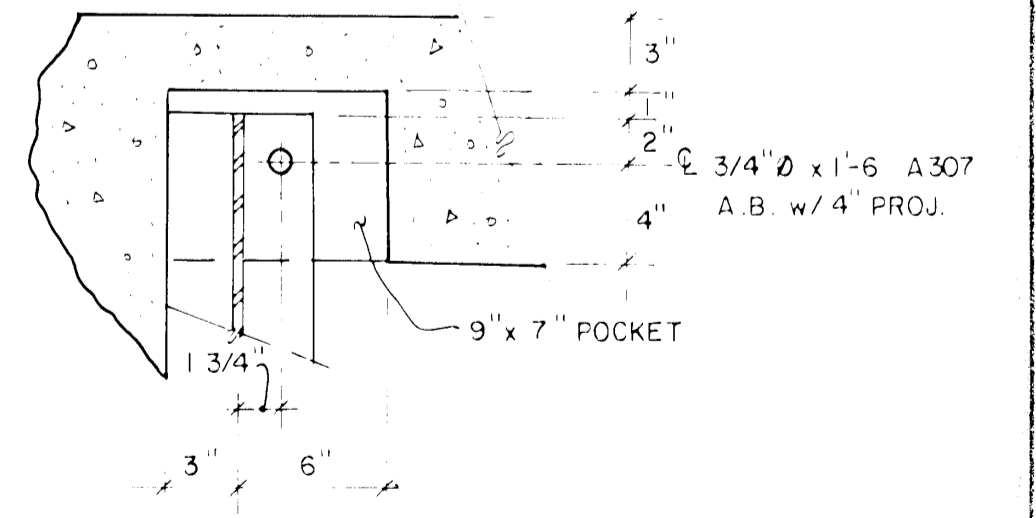
SECTION G  
SCALE: 1 1/2" = 1'-0" 8 | 8



SECTION E-E  
EMERGENCY SPILLWAY  
SCALE: 3/16" = 1'-0" 4 | 8



DETAIL 2  
SCALE: 1" = 1'-0" 8 | 8



SECTION F  
SCALE: 1 1/2" = 1'-0" 8 | 8

**RECORD DRAWINGS**  
 REVISIONS DRAWN BY: MDC DATE: 2.25.92  
 THESE RECORD DRAWINGS HAVE BEEN PREPARED IN PART ON THE BASIS OF INFORMATION COMPILED BY OTHERS. THEY ARE NOT INTENDED TO REPLACE THE ORIGINAL DRAWINGS. THE TYPE OF COMPONENT NOTED IN THE REVISIONS IS THE TYPE OF COMPONENT WHICH WILL BE RESPONSIBLE FOR THE REVISIONS WHICH HAVE BEEN INCORPORATED INTO THESE RECORD DRAWINGS.

REINFORCING STEEL SPLICE SCHEDULE

BAR SIZE	BAR TYPE	BAR SPACING	BAR LENGTH
#5	A307	12"	17'-0"
#4	A307	12"	17'-0"
#3	A307	12"	17'-0"
#2	A307	12"	17'-0"

**STATEMENT**  
 THE CITY OF COLORADO SPRINGS RECOGNIZES THE DESIGN ENGINEER AS HAVING RESPONSIBILITY FOR THE DESIGN. THE CITY HAS LIMITED ITS SCOPE OF REVIEW ACCORDINGLY. RESUBMITTAL REQUIRED IF CONSTRUCTION HAS NOT COMMENCED WITHIN 180 DAYS AFTER REVIEW DATE.

**REVIEW**  
 STREET DESIGN: [ ]  
 ROUGH CUT REVIEW: [ ] DATE: [ ]  
 FINAL REVIEW: [ ] DATE: [ ]  
 DRAINAGE DESIGN: [ ]  
 FILED IN ACCORDANCE WITH SECTION 15.3.208 OF THE CODE OF COLORADO SPRINGS 1986, AS AMENDED. DATE: [ ]

**DESIGN DATA**  
 SIDEWALKS: WIDTH: [ ] LOCATION: [ ]  
 CURB TYPE: [ ]  
 R/W WIDTH: [ ]  
 STREET TYPE: [ ]

**ASPHALT PAVEMENT**  
 TYPE: [ ]  
 CLASS: [ ]

**BRIDGE MARK**  
 BRASS CAP LOCATED AT THE SW COR. OF THE BRIDGE, 2000' WEST OF POWERS BLVD. ON US 24 BRIDGE OVER SAND CREEK. EL. 6190.00 USGS.

**CONTRACT DOCUMENTS** 7-16-90

**ENGINEER**  
 Kiowa Engineering Corporation  
 419 W. BIJOU STREET  
 COLORADO SPRINGS  
 COLORADO 80905

**DESIGNED BY:** [ ] 4/90  
**DRAWN BY:** EAK 5/90  
**CHECKED BY:** RNW 5/90

**PROJECT:** POWERS BLVD. DETENTION POND  
**STRUCTURE DETAILS**

**DRAINAGE BASIN:** PETERSON FIELD  
**JOB NO.:** 89-08-16  
**SHEET:** D8 OF 15

9005-07-8