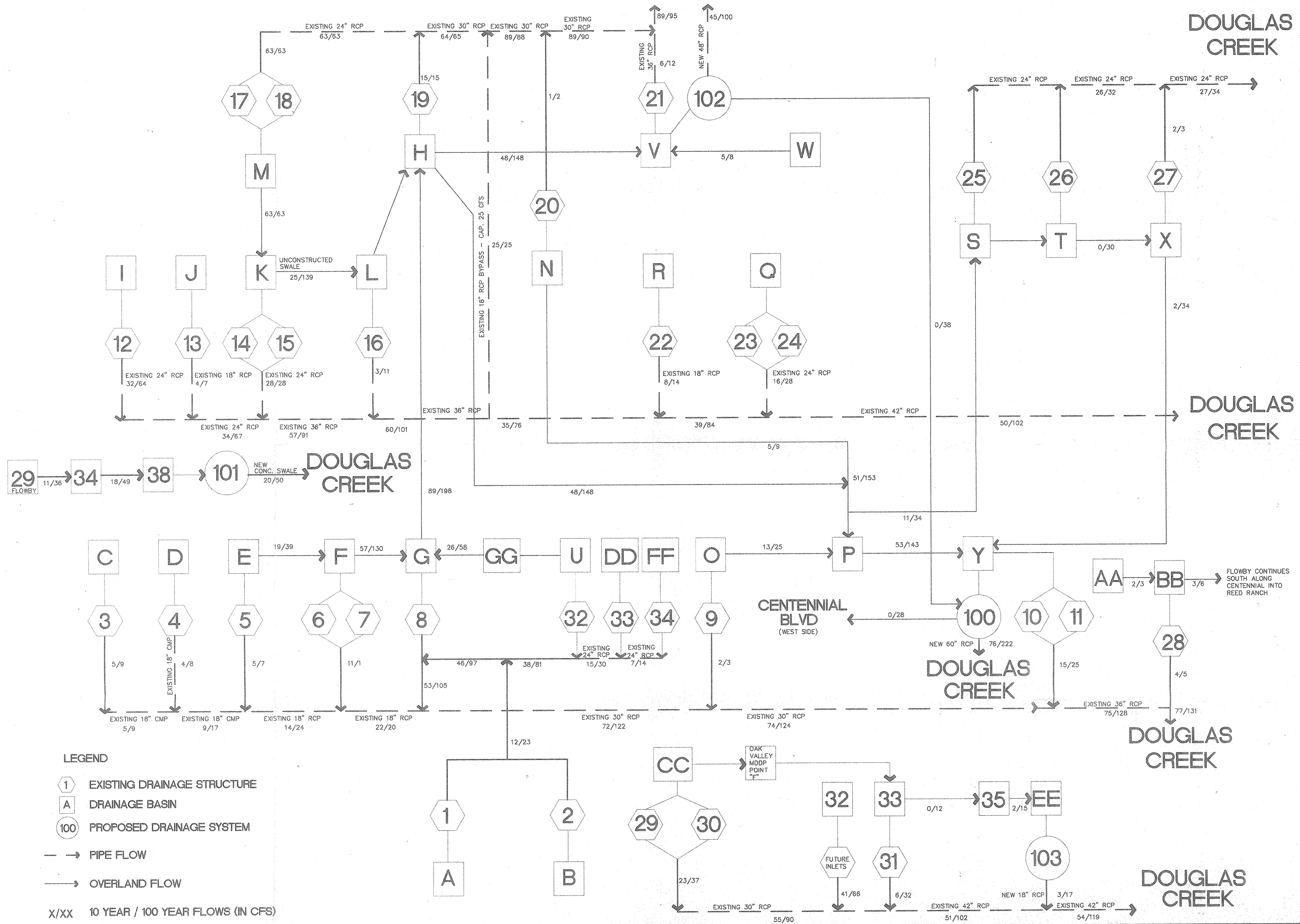


DOUGLAS CREEK

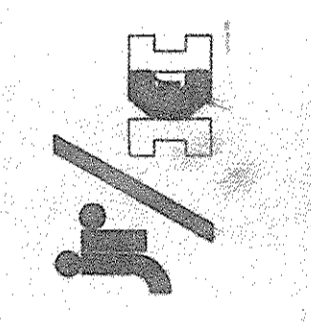


- LEGEND**
- ① EXISTING DRAINAGE STRUCTURE
 - A DRAINAGE BASIN
 - 100 PROPOSED DRAINAGE SYSTEM
 - PIPE FLOW
 - OVERLAND FLOW
 - X/XX 10 YEAR / 100 YEAR FLOWS (IN CFS)

NOT TO BE USED AS THESE DRAWINGS ARE APPROVED BY THE APPROPRIATE REVIEWING AGENCIES, OR ENGINEERING FOR THE PURPOSES DESIGNATED BY WRITTEN AUTHORIZATION.

48 HOURS BEFORE YOU DIG,
CALL UTILITY LOCATORS
1-800-922-1987
CITY OF COLORADO SPRINGS DEPT. OF UTILITIES
GAS, ELECTRIC, WATER AND WASTEWATER

JR ENGINEERING, LTD.
6455 North Union Boulevard
Suite 202
Colorado Springs, CO 80918
(719) 593-2593



NO.	DATE	REVISION	BY	DATE
1	5/11/93		RIH	6/23

CENTENNIAL BOULEVARD ALLEGANY DRIVE TO WORKS ROAD
MASTER DEVELOPMENT DRAINAGE PLAN
PREPARED FOR: RIDGE DEVELOPMENT

SHEET 1 OF 1
JOB NO. 8503.99