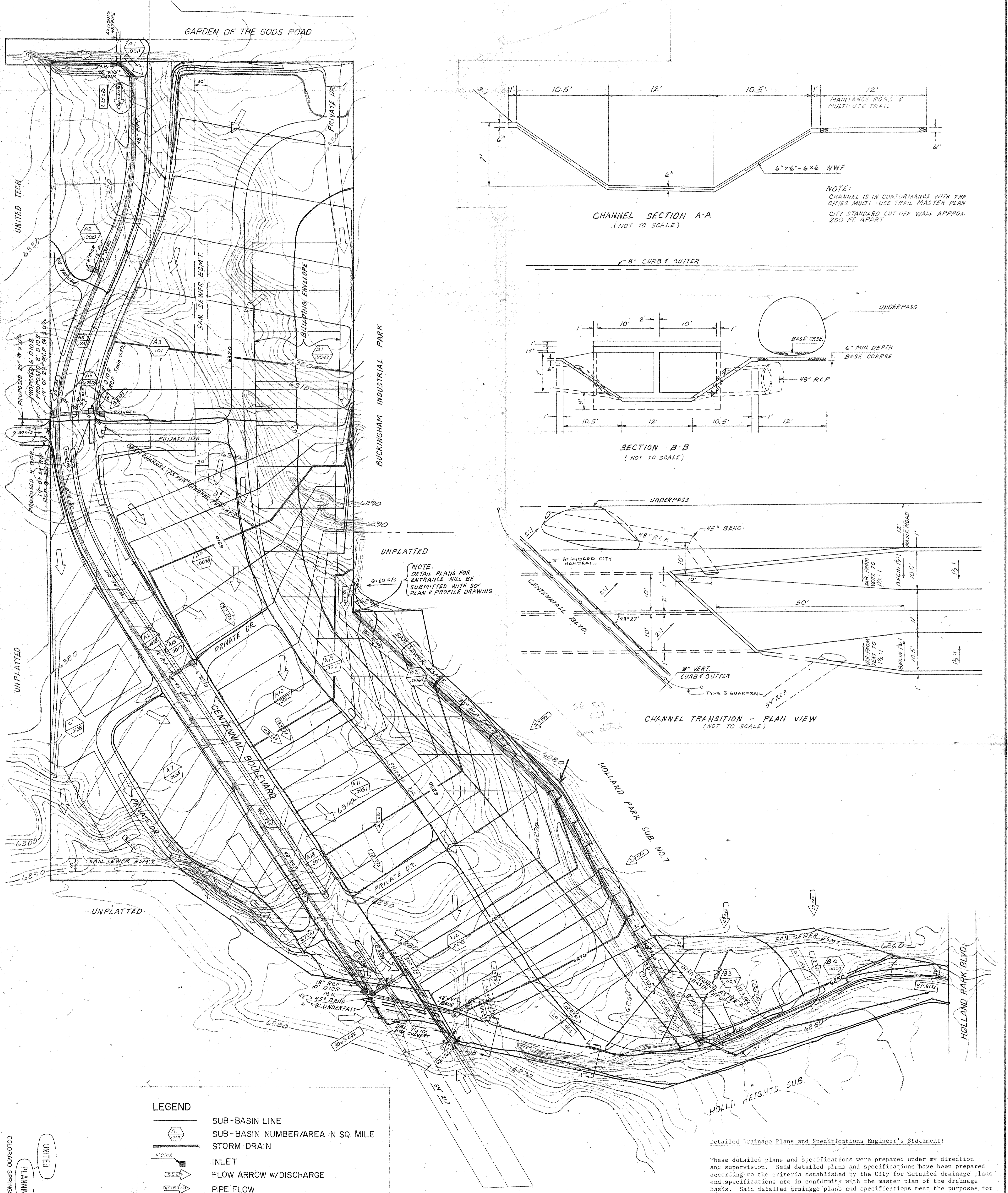
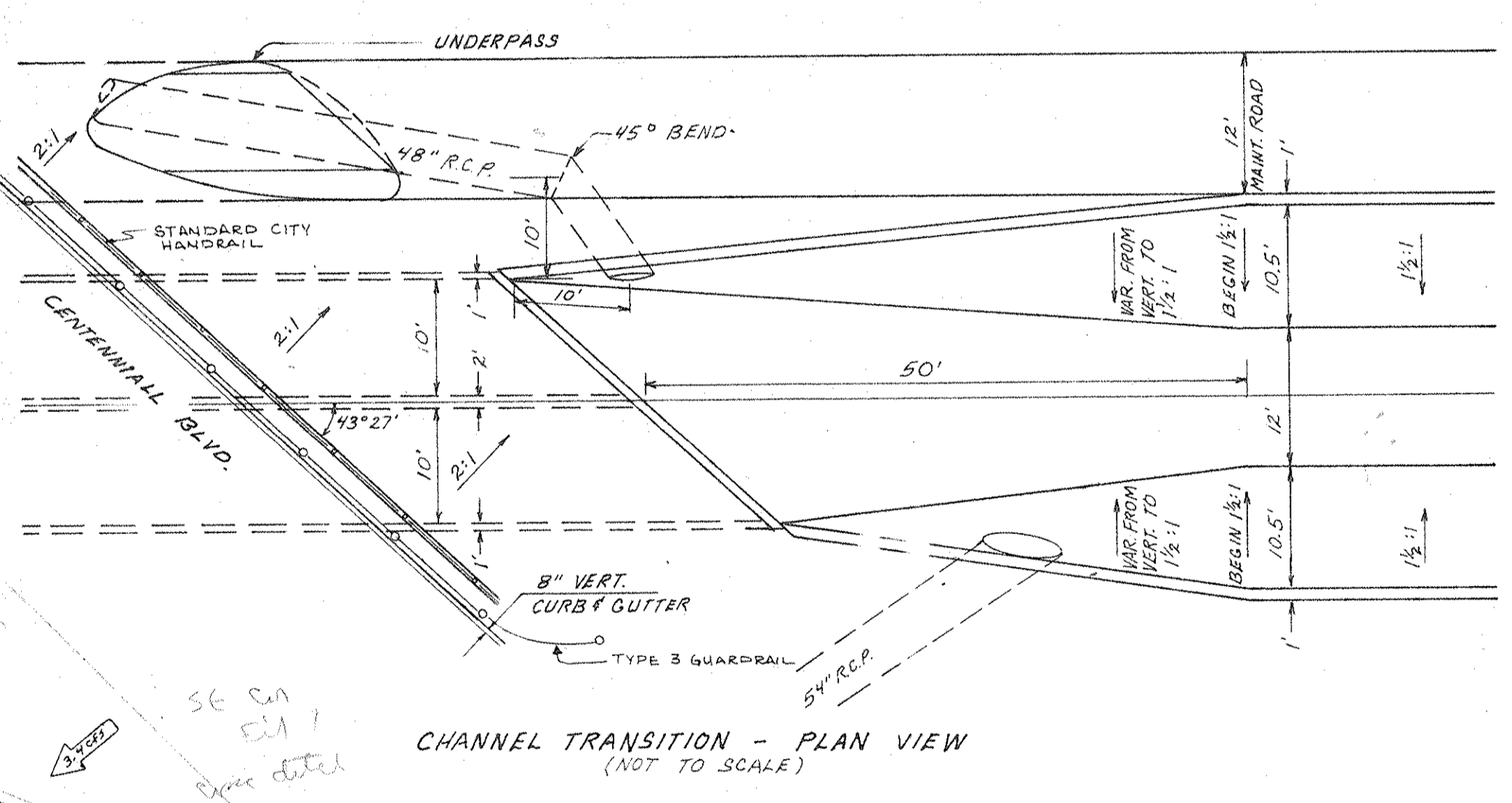
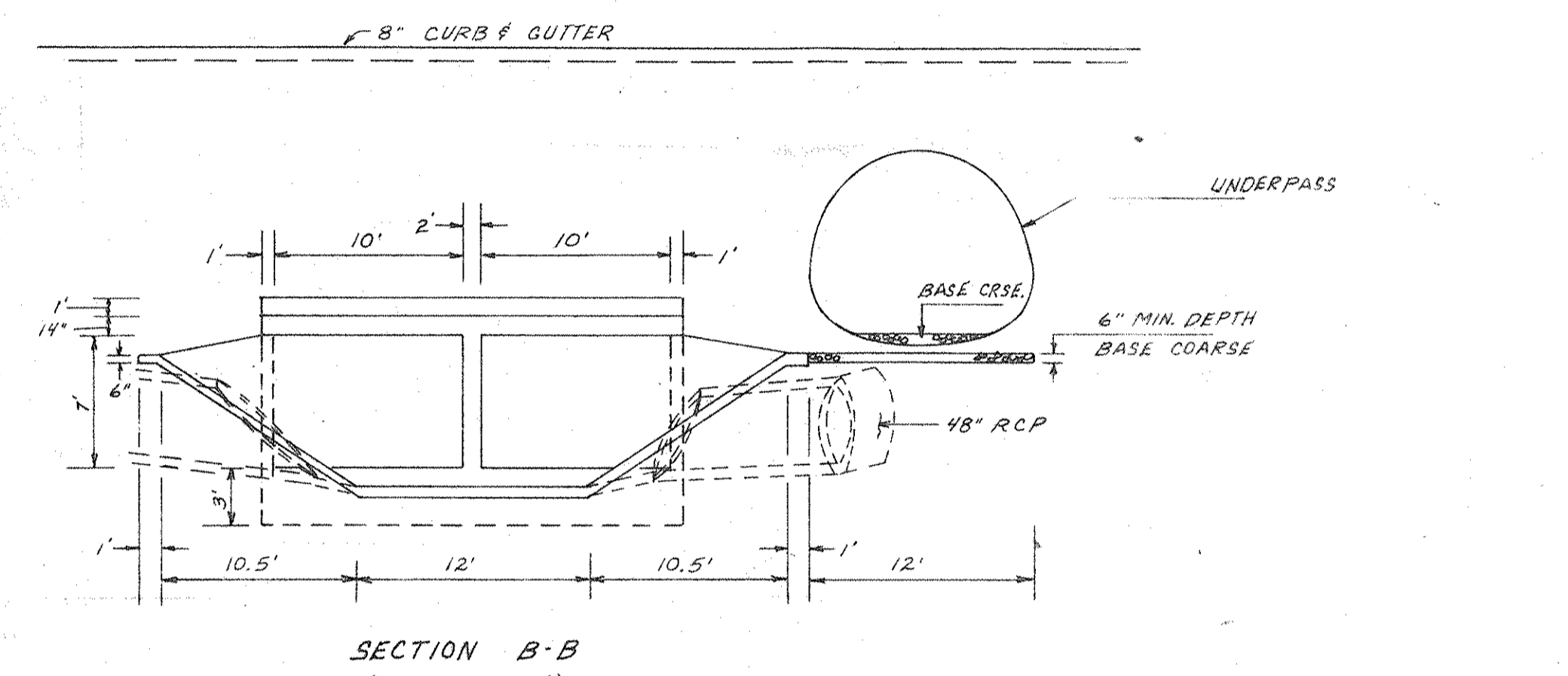
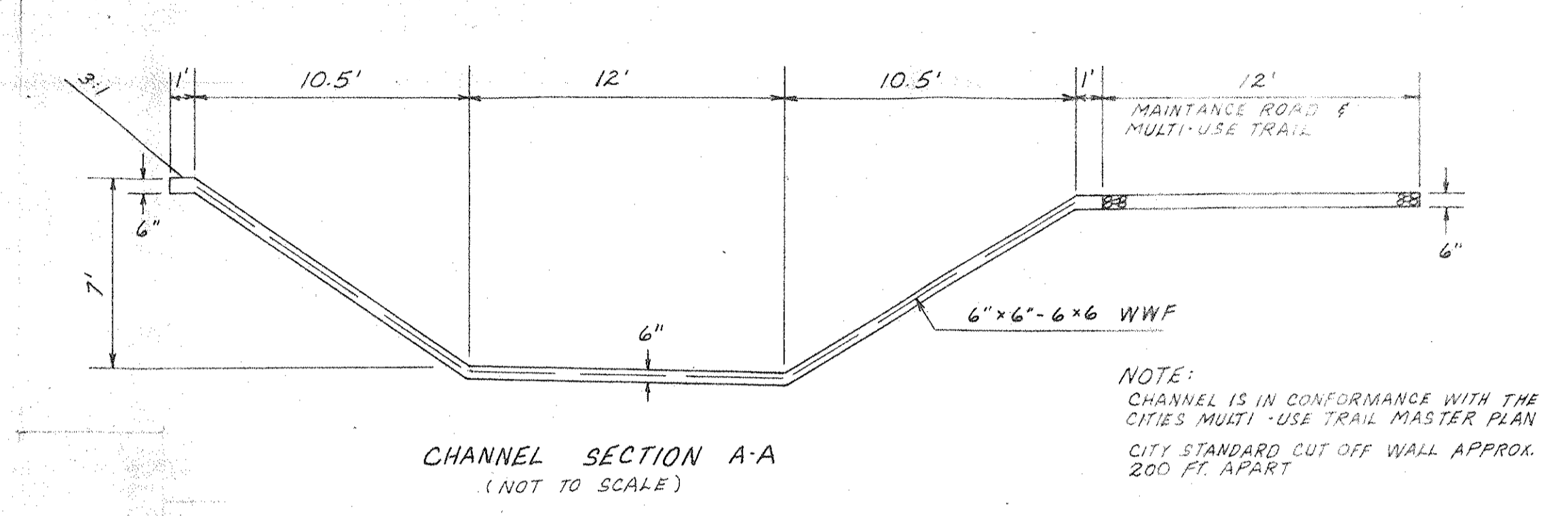
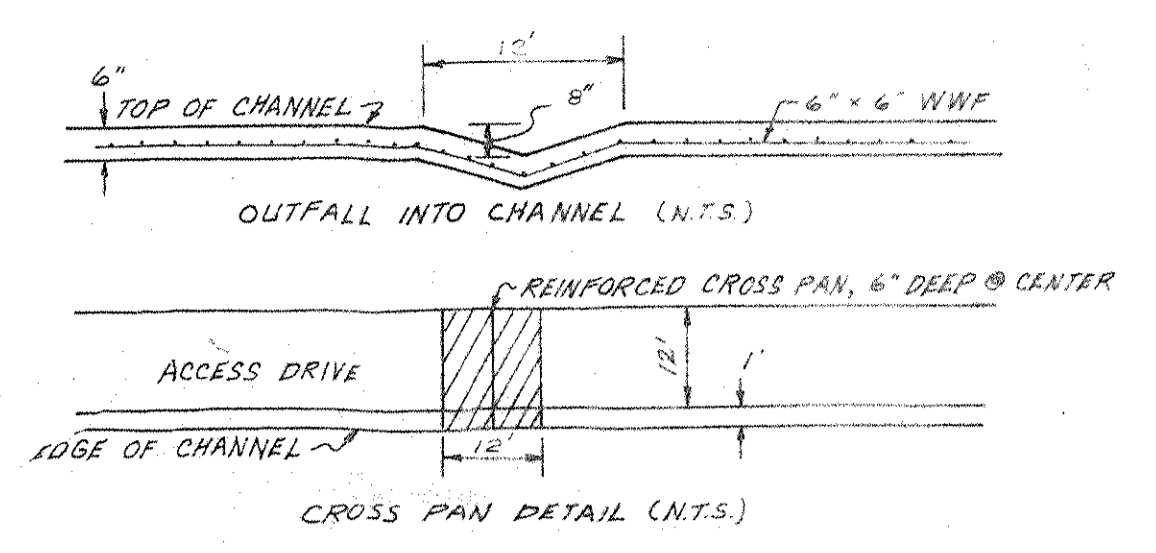
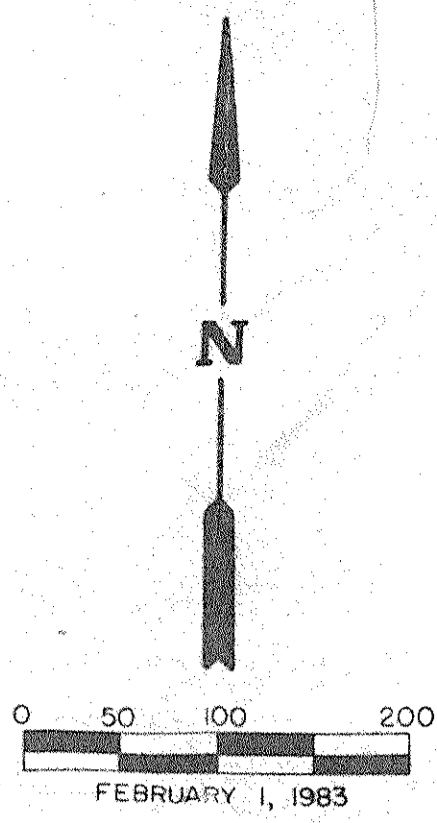


CENTENNIAL WEST MASTER DRAINAGE PLAN



LEGEND	
	SUB-BASIN LINE
	SUB-BASIN NUMBER/AREA IN SQ. MILE
	STORM DRAIN
	INLET
	FLOW ARROW w/DISCHARGE
	PIPE FLOW
	100 YEAR FLOW
NOTE: ALL CURB INLETS ARE PUBLIC EXCEPT AS NOTED.	

Detailed Drainage Plans and Specifications Engineer's Statement:

These detailed plans and specifications were prepared under my direction and supervision. Said detailed plans and specifications have been prepared according to the criteria established by the City for detailed drainage plans and specifications are in conformity with the master plan of the drainage basin. Said detailed drainage plans and specifications meet the purposes for which the particular drainage facility is designed. I accept responsibility for any liability caused by the negligent acts, errors or omissions on my part in preparation of the detailed drainage plans and specifications.

Michael J. Vinson
MICHAEL J. VINSON P.E. 15237

UNITED
 PLANNING
 ENGINEERS
 COLORADO SPRINGS - COLORADO