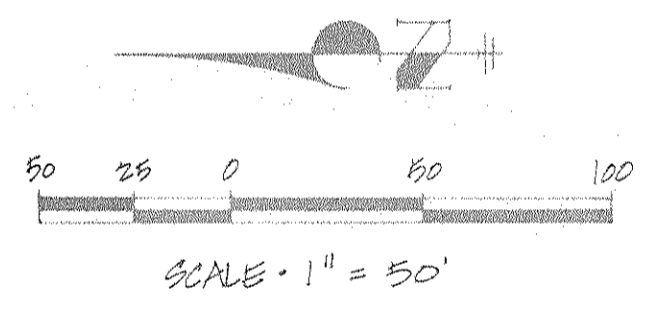
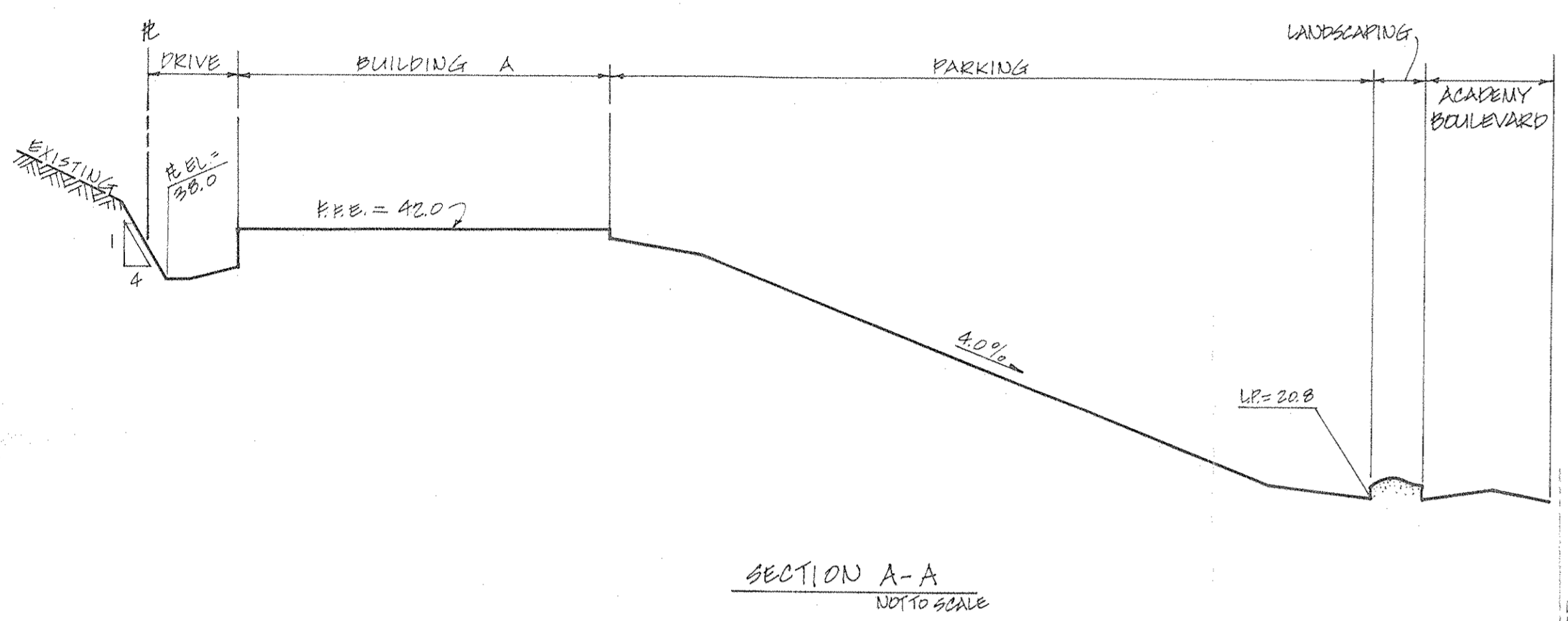
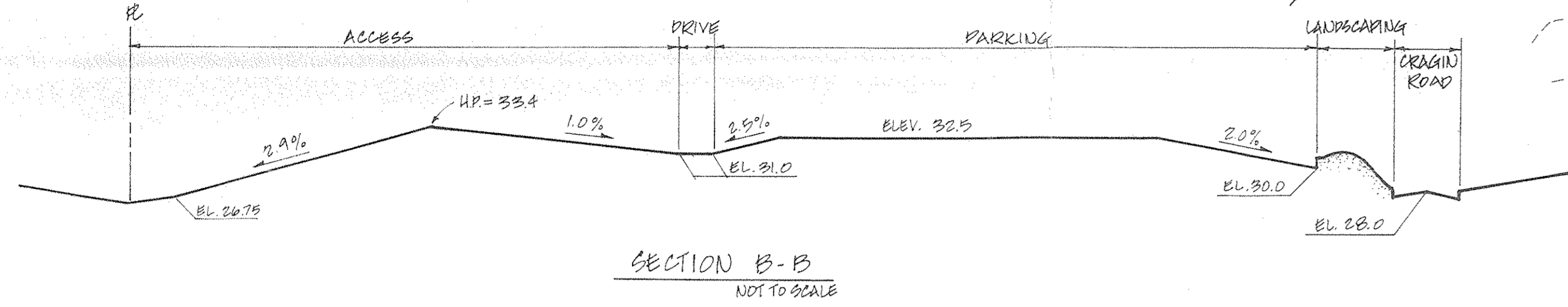


- LEGEND**
- PROPOSED FINISHED CONTOUR
  - - - EXISTING CONTOUR
  - KNOCKOFF
  - LP - LOW POINT
  - HP - HIGH POINT
  - F.F.E. - FINISHED FLOOR ELEVATION

VICINITY MAP  
NOT TO SCALE



**PRELIMINARY**  
NOT FOR CONSTRUCTION

JR ENGINEERING, LTD.  
6455 N. UNION BLVD., Suite 202  
COLORADO SPRINGS, COLO. 80918  
593-2593

No.	REVISION	By	Date
CHAPEL HILLS CROSSING			
PRELIMINARY OVERLOT GRADING			
DATE 12-8-88	DRAWN BY RC		
CHECK BY JWD	SCALE 1" = 50'		
DATE 12-8-88	Sheet 1 of 1	JOB No. 8934	