

CHEYENNE MOUNTAIN CENTER

CHEYENNE MEADOWS RD

S 89°43'04"W
55.00'

RAD=359.0'
CA=33°08'15"
ARC=207.63'

S 56°34'49"W
92.6'

S 56°34'49"W
92.6'

S 56°34'49"W
92.6'

S 56°34'49"W
92.6'

S 56°34'49"W
92.6'

S 56°34'49"W
92.6'

S 56°34'49"W
92.6'

S 56°34'49"W
92.6'

S 56°34'49"W
92.6'

S 56°34'49"W
92.6'

S 56°34'49"W
92.6'

S 56°34'49"W
92.6'

S 56°34'49"W
92.6'

S 56°34'49"W
92.6'

S 56°34'49"W
92.6'

S 56°34'49"W
92.6'

S 56°34'49"W
92.6'

S 56°34'49"W
92.6'

S 35°53'04"W
60.18'

570' OF TEMPORARY OPEN CHANNEL TO DAYLIGHT PHASE I OUTFALL STORM SEWER

PHASE I - PRIVATE TEMPORARY CHANNEL TYPICAL SECTION

Q₁₀₀ = 615 cfs
S = 0.61%
D = 5.3'
V = 5.00 fps

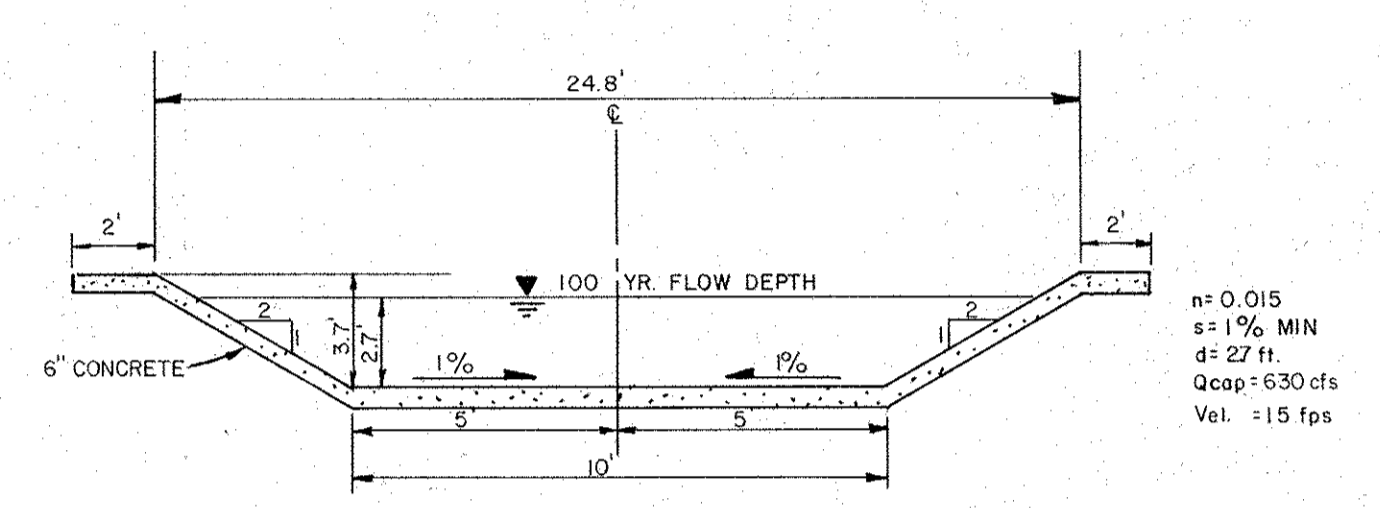
NOTE: FUTURE PHASE DRAINAGE IMPROVEMENTS WILL BE PUBLIC.

FUTURE PHASE OUTFALL STORM SEWER 1900' 9" x 6" REINFORCED CONC. BOX CULVERT AT 0.34% (ALTERNATE 96" RCP AT 0.91%) (SEE ALTERNATE CONCRETE CHANNEL DETAIL, ABOVE RIGHT)

FUTURE PHASE STORM SEWER CONNECTION

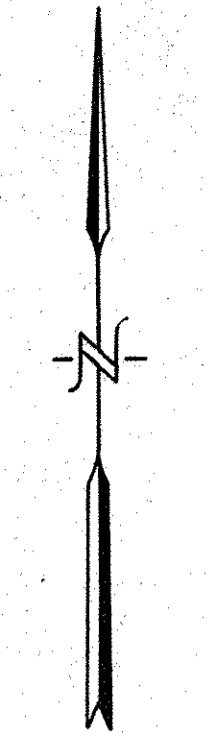
FUTURE PHASE STORM SEWER CONNECTION

STRATMOOR HILLS
THIS AREA WILL BE STUDIED IN DETAIL IN CONJUNCTION WITH FUTURE PHASE CONSTRUCTION
Q₁₀₀ = 340 cfs
BASIN AREA = 214 ACRES



CONCRETE CHANNEL ALTERNATE TO OUTFALL STORM SEWER
N.T.S.

n = 0.015
s = 1% MIN
s = 27 ft
Q_{cap} = 630 cfs
Vel. = 15 fps



CHEYENNE MOUNTAIN CENTER
OUTFALL STORM SEWER
FUTURE PHASE
26.198 ACRE TRACT
COLORADO SPRINGS, COLORADO
FOR: GATES LAND COMPANY

		ENGINEERS — SURVEYORS	
1700 38TH STREET		BOULDER, COLORADO 80301 (303) 442-4338	
Date	Designed by	Job No.	
4 OCT. 85 - PHASE LABELING		E - 2900	
12 FEB. 1985	Scale	Drawn by	Drawing No.
	1" = 100'		3D 291
Revisions - Date			