

LEGEND

- OSB1** — SUB-BASIN DESIGNATION
 - 87.2 ac — SUB-BASIN AREA
 - 24 cfs — 5-YEAR SUB-BASIN RUNOFF
 - 103 cfs — 100-YEAR SUB-BASIN RUNOFF
-
- 4.7 cfs — 5-YEAR RUNOFF
 - 7.6 cfs — 100-YEAR RUNOFF
-
- ▲ — DESIGN POINT

NOTE: OFFSITE FLOWS ARE BASED UPON EXISTING UPSTREAM CONDITIONS.

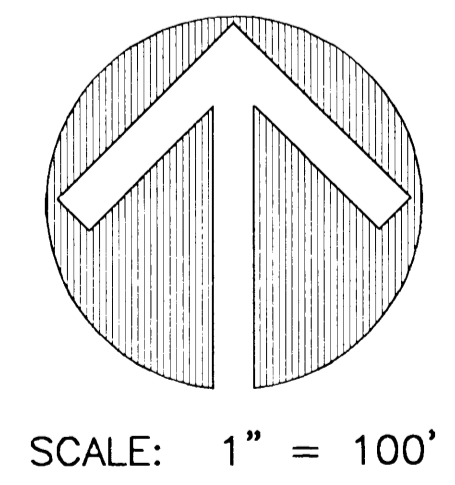


EXHIBIT 1B
EXISTING ON-SITE DRAINAGE
WITH EXISTING OFF-SITE FLOWS
CHEYENNE MOUNTAIN HIGH SCHOOL
MASTER DEVELOPMENT DRAINAGE PLAN
CHEYENNE MOUNTAIN SCHOOL DISTRICT NO. 12
COLORADO SPRINGS, COLORADO

Kiowa Engineering Corporation
 2814 International Circle
 Colorado Springs, Colorado
 80910-3127
 (719) 630-7342