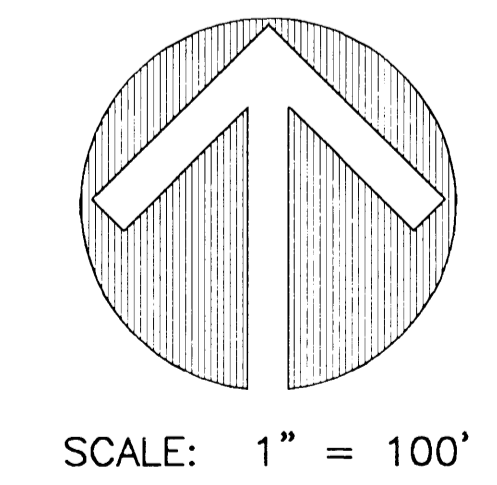


LEGEND

- OSB1** — SUB-BASIN DESIGNATION
 - 87.2 ac — SUB-BASIN AREA
 - 24 cfs — 5-YEAR SUB-BASIN RUNOFF
 - 103 cfs — 100-YEAR SUB-BASIN RUNOFF
-
- 4.7 cfs — 5-YEAR RUNOFF
 - 7.6 cfs — 100-YEAR RUNOFF
-
- ▲ — DESIGN POINT

NOTE: OFFSITE FLOWS ASSUMING UPSTREAM DEVELOPMENT ARE BASED UPON HYDROLOGY DEVELOPED IN THE MYRON STRATTON HOME BROADMOOR-SKYWAY PROPERTY MASTER DEVELOPMENT DRAINAGE PLAN, BY NOLTE & ASSOCIATES, INC, APPROVED DEC. 31, 1996.



**EXHIBIT 1C
EXISTING ON-SITE DRAINAGE
WITH FUTURE OFF-SITE FLOWS
CHEYENNE MOUNTAIN HIGH SCHOOL
MASTER DEVELOPMENT DRAINAGE PLAN
CHEYENNE MOUNTAIN SCHOOL DISTRICT NO. 12
COLORADO SPRINGS, COLORADO**

Kiowa Engineering Corporation
2814 International Circle
Colorado Springs, Colorado
80910-3127
(719) 630-7342