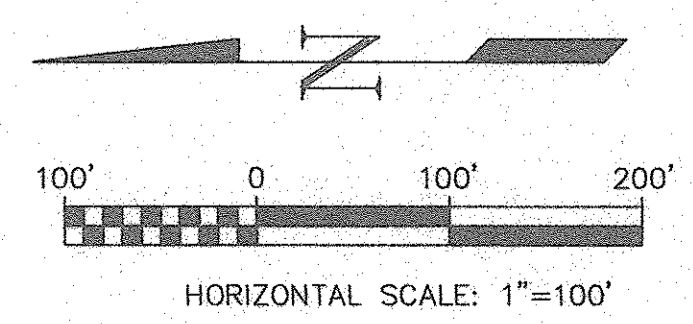
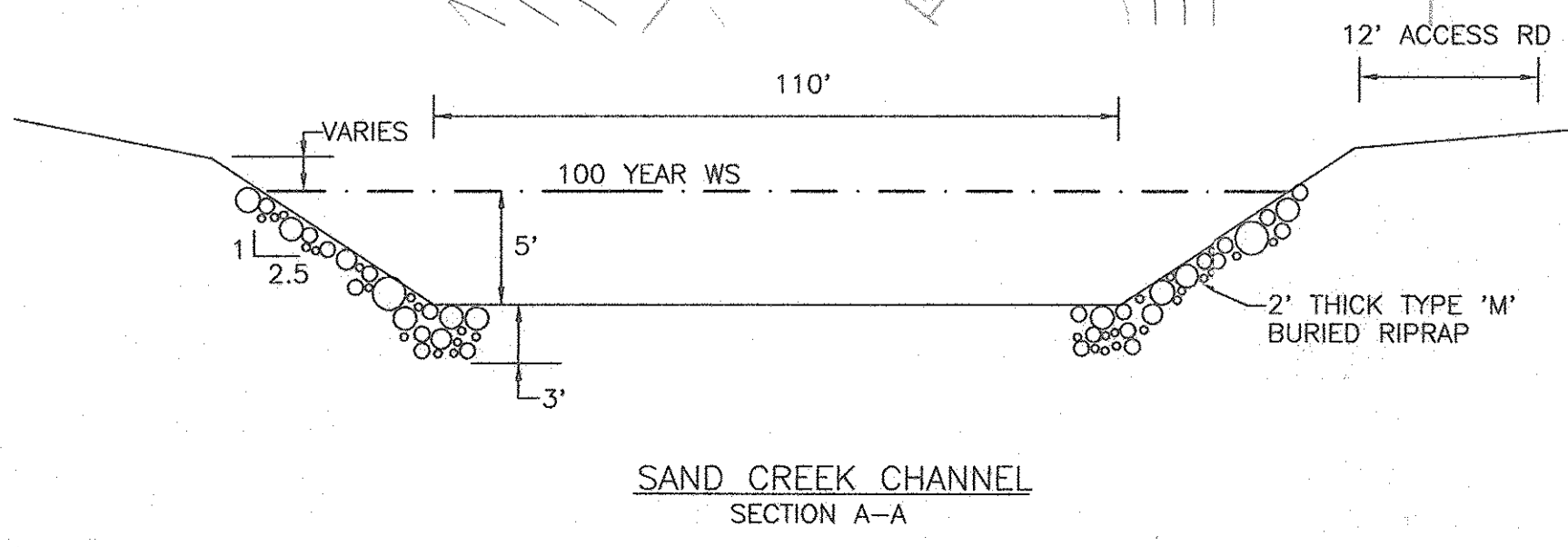


**SAND CREEK DRAINAGE
BASIN PLANNING STUDY
DISCHARGE DATA**

$Q_{10} = 2330$ cfs
 $Q_{100} = 3620$ cfs



Kiowa Engineering Corporation
1011 North Weber Street, Suite 200
Colorado Springs, Colorado
80903
(719) 630-7342

**POWERS WEST PROPERTY
MASTER DEVELOPMENT DRAINAGE PLAN
PROPOSED FACILITIES**

Project No.:	96.42
Date:	12/96
Design:	RNW
Drawn:	CAD
Check:	RNW
Revisions:	