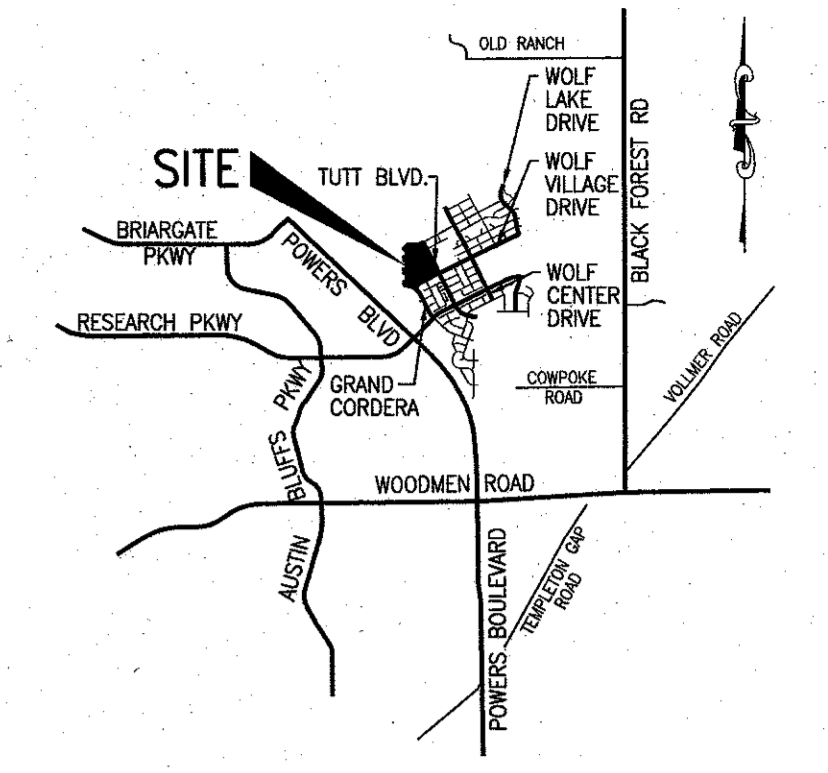


THE WOLF RANCH MDDP ANTICIPATED 131 CFS FROM THE AREA TO THE NORTH THAT IS TRIBUTARY TO BRIARGATE PARKWAY AND VALEMOUNT DRIVE. THE HISTORIC FLOWS REACHING THIS POINT WILL BE COLLECTED WITHIN THE EXISTING 54" RCP CURRENTLY INSTALLED IN THIS INTERSECTION.

THIS AREA TO BE REGRADED TO DIRECT FLOWS TOWARD TRIBUTARY 4



Vicinity Map
NOT TO SCALE

DEVELOPED DRAINAGE BASIN TABLE

BASIN	AREA (acres)	Q _s (cfs)	Q ₁₀₀ (cfs)
1	1.75	4.0	8.2
2	1.66	4.8	9.3
3	3.5	8.6	17.8
4	0.77	1.9	4.0
5	0.11	0.3	0.6
6	1.30	3.3	6.9
7	1.31	4.0	8.2
8	0.96	2.6	5.4
9	0.52	1.5	3.2
10	1.65	4.3	9.0
11	1.76	4.4	11.1
12	0.90	2.4	5.1
13	0.63	1.9	3.9
14	1.59	4.3	9.0
15	2.14	5.7	11.9
16	0.67	1.9	4.0
17	0.65	1.8	3.8
18	0.43	1.0	2.1
19A	1.74	4.2	8.6
19B	0.69	1.9	4.0
20	0.36	1.0	2.2
21A	1.9	4.7	9.7
21B	0.82	2.3	4.8
22	0.27	0.8	1.7
23	1.89	1.5	3.6
24	3.31	2.5	6.2
25	1.47	4.0	8.3
26	1.95	4.9	10.2
27	0.97	2.9	5.9
OS-1	20.00	8.6	21.4
DP#1	4.38	10.7	22.2
DP#2	9.27	21.5	44.7
DP#3	13.67	31.7	65.9
DP#4	14.75	34.3	71.1

- LEGEND**
- 6100 EXISTING CONTOURS
 - BASIN BOUNDARIES
 - BASIN DESIGNATOR
 - DESIGN POINT
 - PROPOSED 2' CONTOURS
 - DIRECTION OF FLOW

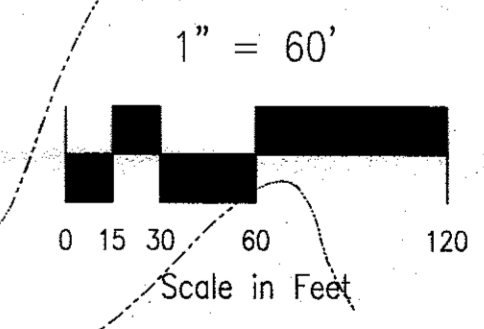
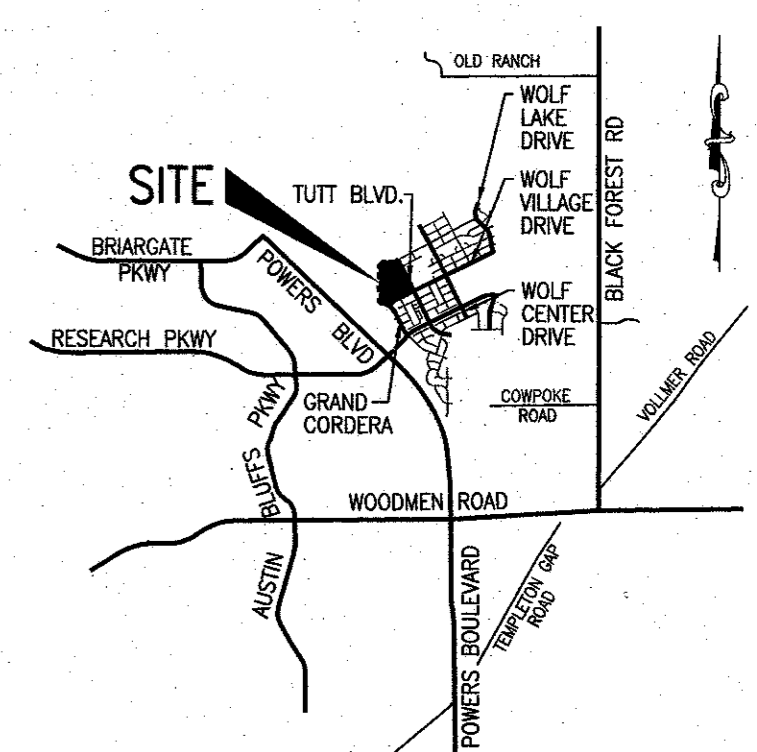


EXHIBIT 2- SHEET 1 FILE: 14031bas4.DWG 12/28/15

ROCKWELL CONSULTING, Inc.
ENGINEERING - SURVEYING
1955 N. LINCOLN BLVD., SUITE 200
COLORADO SPRINGS, CO 80909
(719) 475-2575 • FAX (719) 475-9223

DAYBREAK AT WOLF RANCH DRAINAGE PLAN - DEVELOPED

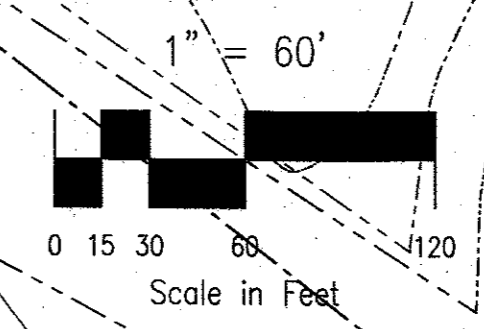
TITLE :
SCALE : 1"=60' DRAWN BY : MEM
DATE : 12/28/15 CHECKED BY : KDR JOB NO. 14-031



Vicinity Map
NOT TO SCALE

DEVELOPED DRAINAGE BASIN TABLE

BASIN	AREA (acres)	Q ₅ (cfs)	Q ₁₀₀ (cfs)
1	1.75	4.0	8.2
2	1.66	4.8	9.3
3	3.5	8.6	17.8
4	0.77	1.9	4.0
5	0.11	0.3	0.6
6	1.30	3.3	6.9
7	1.31	4.0	8.2
8	0.96	2.6	5.4
9	0.52	1.5	3.2
10	1.65	4.3	9.0
11	1.76	4.4	11.1
12	0.90	2.4	5.1
13	0.63	1.9	3.9
14	1.59	4.3	9.0
15	2.14	5.7	11.9
16	0.67	1.9	4.0
17	0.65	1.8	3.8
18	0.43	1.0	2.1
19A	1.74	4.2	8.6
19B	0.69	1.9	4.0
20	0.36	1.0	2.2
21A	1.9	4.7	9.7
21B	0.82	2.3	4.8
22	0.27	0.8	1.7
23	1.89	1.5	3.6
24	3.31	2.5	6.2
25	1.47	4.0	8.3
26	1.95	4.9	10.2
27	0.97	2.9	5.9
OS-1	20.00	8.6	21.4
DP#1	4.38	10.7	22.2
DP#2	9.27	21.5	44.7
DP#3	13.67	31.7	65.9
DP#4	14.75	34.3	71.1



- LEGEND**
- 6100 EXISTING CONTOURS
 - BASIN BOUNDARIES
 - BASIN DESIGNATOR
 - DESIGN POINT
 - PROPOSED 2' CONTOURS
 - DIRECTION OF FLOW

EXHIBIT 2- SHEET 2 FILE: 14031ba04.dwg 12/28/15

ENGINEERING - SURVEYING
1555 N. LINCOLN BLVD., SUITE 200
COLORADO SPRINGS, CO 80909
(719) 475-2515 • FAX (719) 475-9225

**DAYBREAK AT WOLF RANCH
DRAINAGE PLAN - DEVELOPED**

TITLE :	DRAWN BY :	14-031
SCALE : 1"=60'	MEM	
DATE : 12/28/15	CHECKED BY :	JOB NO.
	KDR	