

DUBLIN NORTH COLORADO SPRINGS, COLORADO MASTER DEVELOPMENT DRAINAGE MAP ADDENDUM JUNE 2013



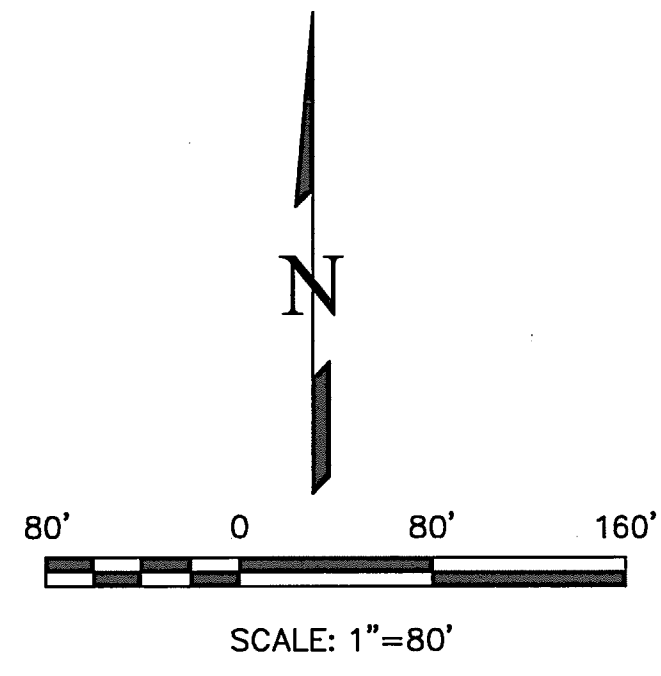
EXISTING BASIN SUMMARY

BASIN	ACRES	Q5 CFS	Q100 CFS
OS-1*	8.18	11.1	23.6
OS-2*	1.93	5.4	10.5
EX-A*	18.06	24.6	52.6
EX-B*	0.58	0.8	1.7
EX-C*	10.61	17.7	35.8
EX-D	1.27	1.5	3.3
EX-E1	0.62	1.9	4.3
EX-E2	2.17	6.4	14.4
EX-F	3.69	3.7	8.4
EX-G	4.87	11.1	25.3

* COMPOSITE C INFORMATION TAKEN FROM "MASTER DEVELOPMENT DRAINAGE PLAN AMENDMENT NO. II FOR THE EASTERLY PORTION OF RIDGEVIEW SUBDIVISION AND PRELIMINARY DRAINAGE REPORT FOR THE NORTHEASTERLY PORTION OF RIDGEVIEW SUBDIVISION AND PHASE II SAND CREEK CHANNEL IMPROVEMENTS." BASIN OS-1, EX-A & EX-B CORRESPOND TO OS-145-2 FROM MDDP. BASIN EX-C CORRESPONDS TO OS-145-1 FROM MDDP. BASIN OS-2 IS PART OF BASIN OS-145-3 OF THE MDDP.

EXISTING DESIGN POINT SUMMARY

DP	Q5 CFS	Q100 CFS
EX-1	35.5	75.7
EX-2	5.2	9.3
EX-3	17.7	35.8
EX-4	1.5	3.3
EX-5A	1.9	4.3
EX-5B	6.4	14.4
EX-6	3.7	8.4
EX-7	11.1	25.3
EX-8	14.0	31.5



LEGEND

- 10' EX CONTOUR - - - - - 5810
- 2' EX CONTOUR - - - - - 5802
- PROPOSED FLOW DIRECTION →
- BASIN BOUNDARY - - - - -
- TIME OF CONCENTRATION (OS-2)
- BASIN ID (0.37)
- ACREAGE (3)
- DESIGN POINT ▲
- FILING LINE —

REVISIONS	NO.	DESCRIPTION	DATE

UNTIL SUCH TIME AS THESE PLANS ARE REVISED BY THE APPLICANT OR APPROVED BY THE APPLICANT'S ENGINEER, THIS MAP IS NOT TO BE USED FOR ANY PURPOSES WITHOUT THE WRITTEN AUTHORIZATION OF APPALOOSA INVESTMENTS INC.

PREPARED FOR:
APPALOOSA INVESTMENTS INC.
ATTN: KYLE GEDITZ
5625 APPALOOSA DRIVE
COLORADO SPRINGS, CO 80923
(719) 491-4169

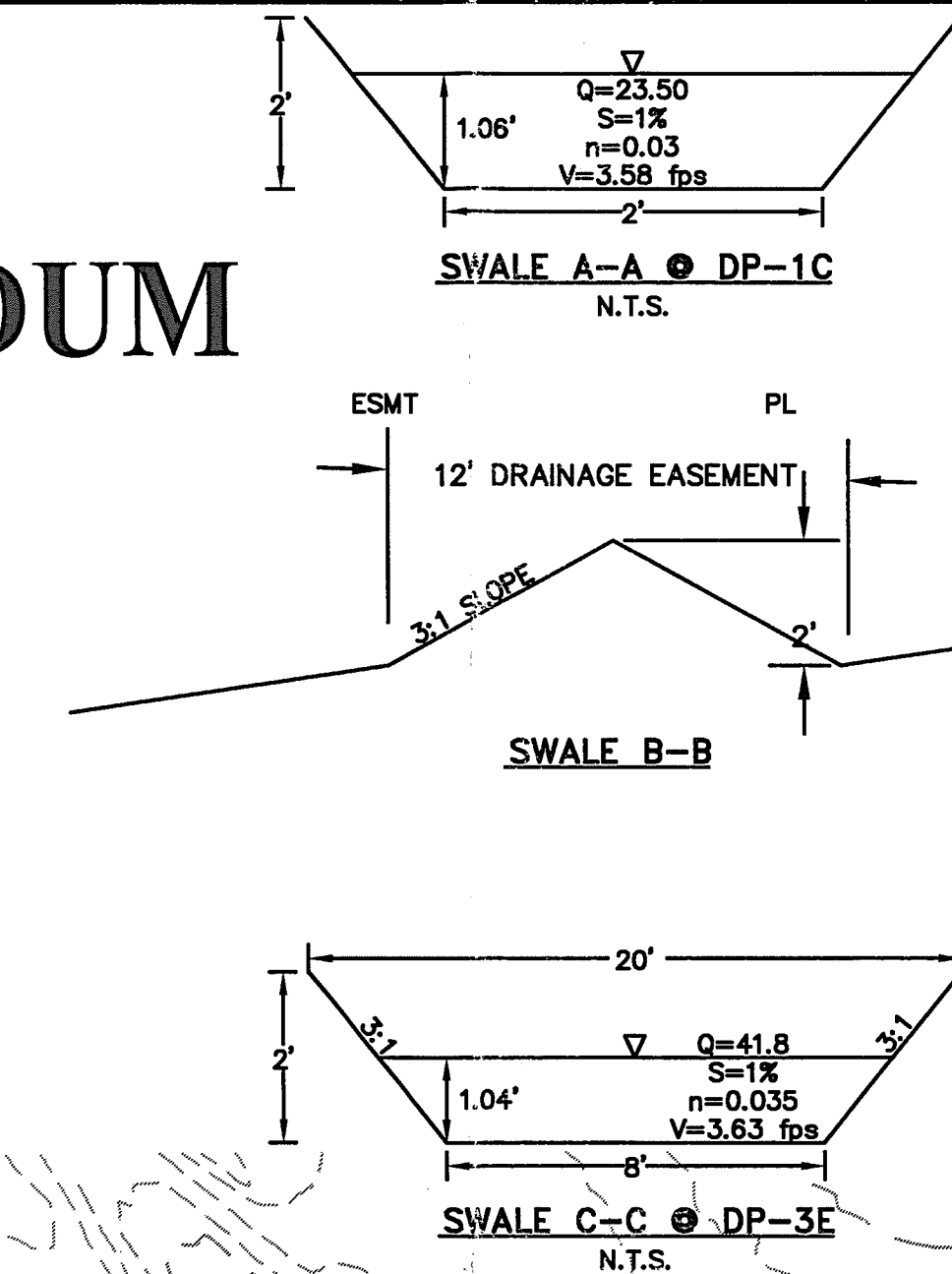
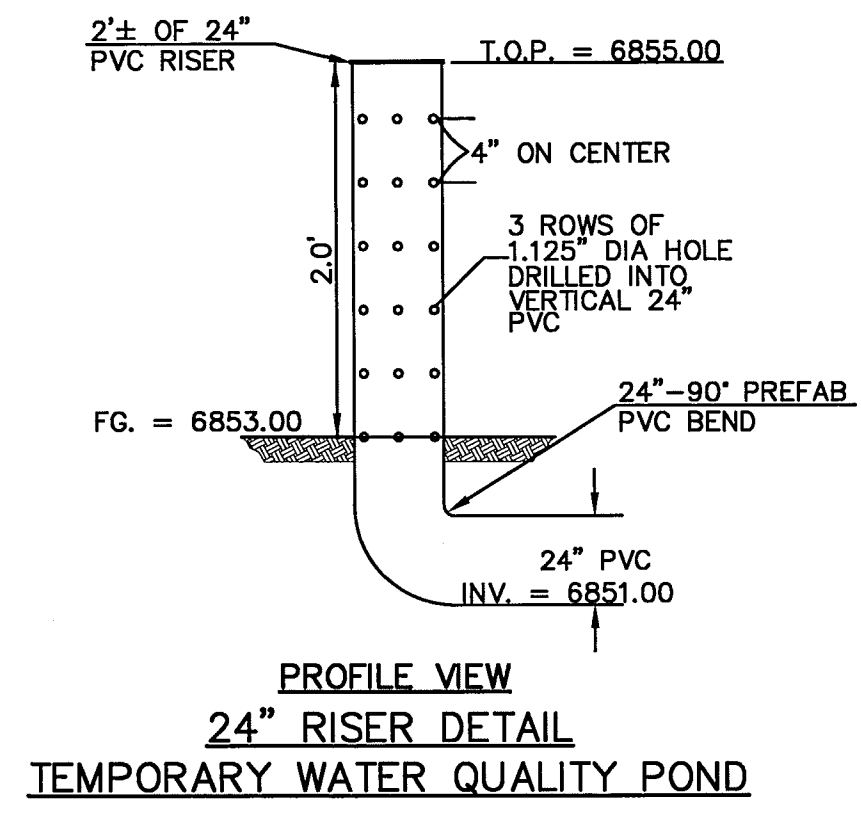
125 N. WASHATCH AVE., SUITE 101
COLORADO SPRINGS, CO 80903
OFFICE: 719-535-6422
FAX: 719-535-6426
www.tetra-nova.com

Tetra Nova
Engineering, Inc.
Civil & Environmental Engineers

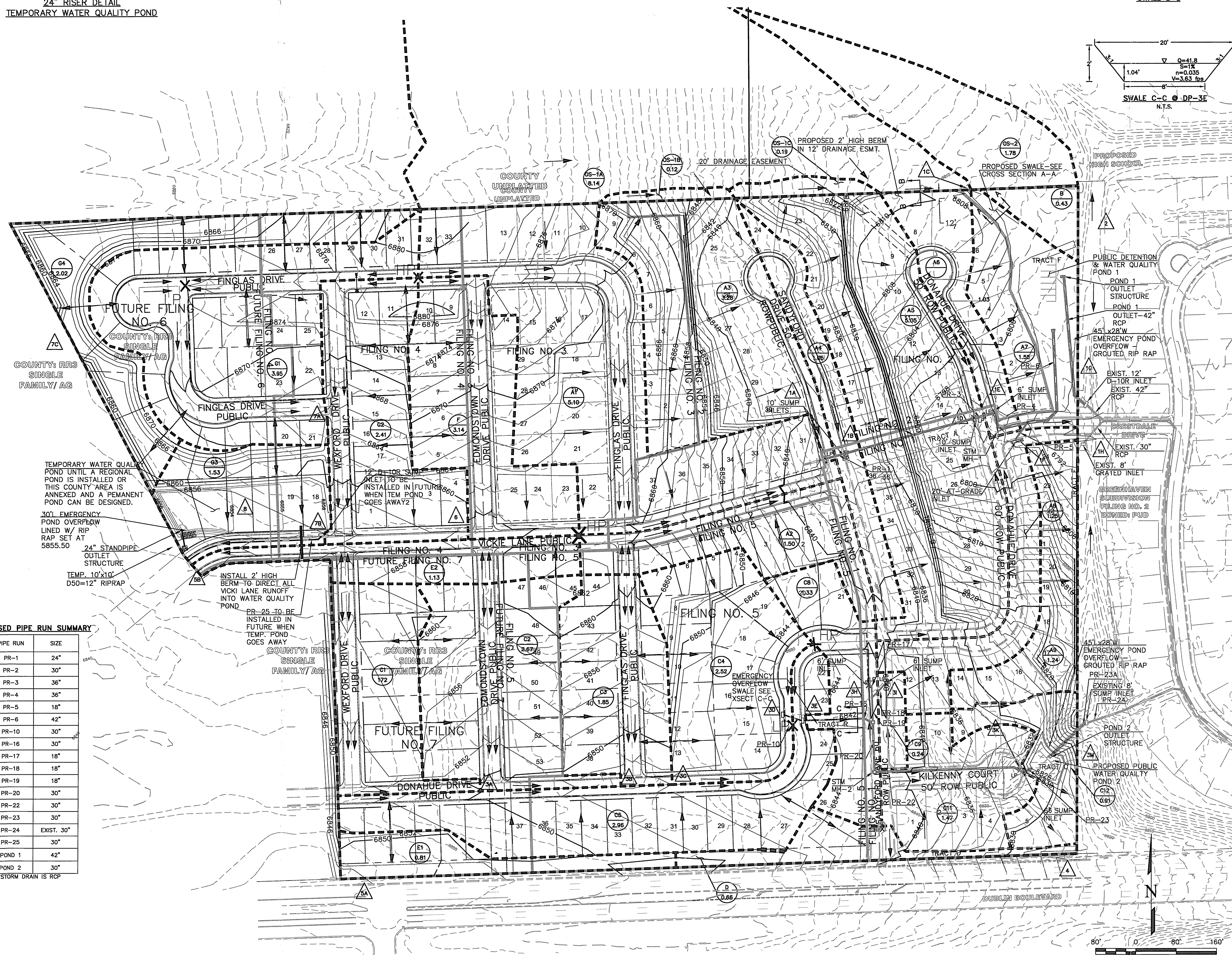
DUBLIN NORTH
MASTER DEVELOPMENT DRAINAGE MAP ADDENDUM
HISTORIC DRAINAGE MAP

DESIGNED BY QNA
DRAWN BY QNA
CHECKED BY LDR
H-Scale 1"=80'
V-Scale N/A
JOB NO. 1304.00
DATE ISSUED 6/18/13
SHEET NO. 1 OF 1

DUBLIN NORTH COLORADO SPRINGS, COLORADO MASTER DEVELOPMENT DRAINAGE MAP ADDENDUM JUNE 2013



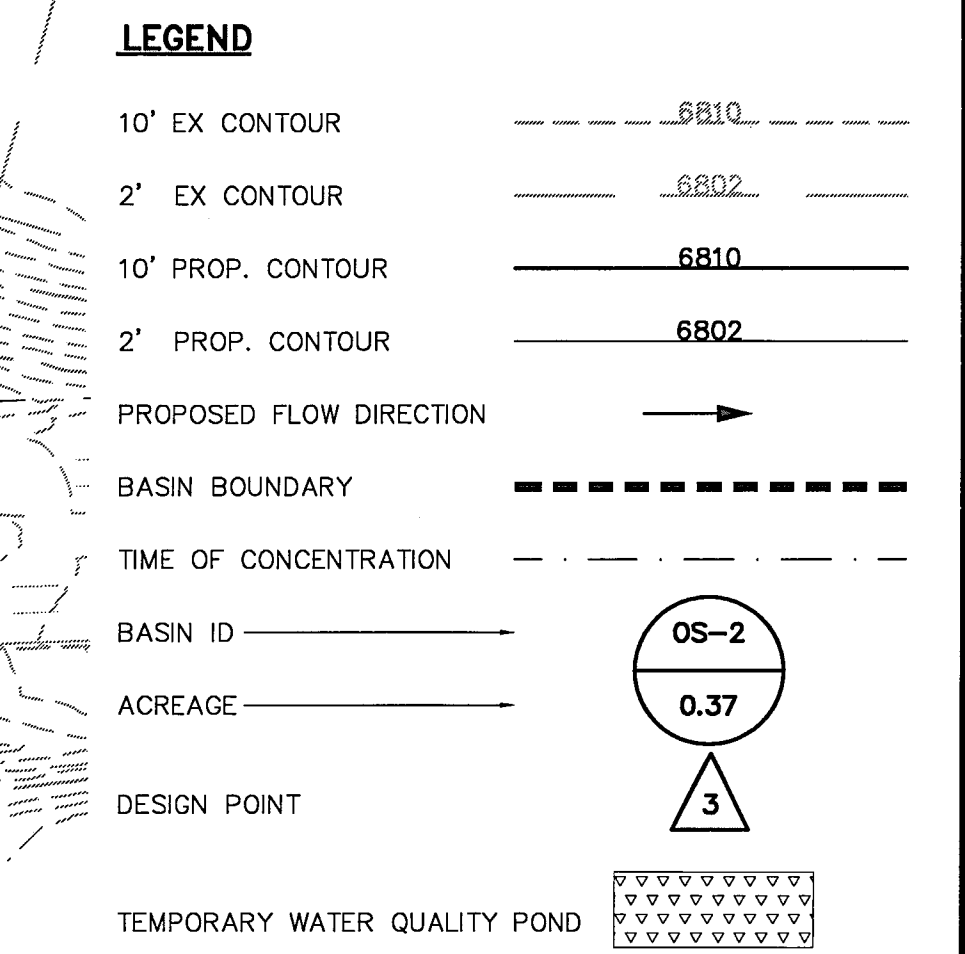
BASIN	ACRES	Q5 CFS	Q100 CFS
OS-1A	8.14	11.0	23.5
OS-1B	0.12	0.2	0.5
OS-1C	0.19	0.4	0.8
OS-2	1.93	5.4	10.5
A1**	5.10	9.3	18.2
A2**	1.50	3.8	7.7
A3	3.28	6.4	12.5
A4	1.05	2.3	4.5
A5	5.05	10.6	21.1
A6	1.03	2.2	4.4
A7	1.55	3.5	7.0
A8	1.25	2.9	5.7
A9	1.24	3.6	7.6
B	0.43	0.4	0.9
C1**	1.72	3.3	6.5
C2**	2.67	5.2	10.2
C3**	1.85	3.7	7.4
C4**	2.52	4.9	9.5
C5**	2.96	5.4	10.5
C8**	1.33	2.7	5.3
C9	0.24	0.6	1.1
C11	1.47	3.3	6.6
C12	0.91	2.3	4.8
D**	0.66	1.8	3.8
E1**	0.81	2.4	5.2
E2**	1.13	2.3	4.6
F**	2.41	5.1	10.0
G1**	3.95	8.1	16.0
G2**	2.41	5.1	10.2
G3**	1.53	3.1	6.1
G4**	2.02	5.6	11.6



DP	Q5 CFS	Q100 CFS
1A**	18.2	35.6
1B	2.3	4.5
1A & 1B**	20.2	39.3
1C	11.0	23.5
1D	10.9	21.7
1E	2.2	4.4
1F	2.9	5.7
1G	43.5	86.3
1H	4.6	10.3
2	4.8	9.1
3A**	3.3	6.5
3B**	8.4	16.6
3C**	12.0	23.6
3D**	16.9	33.1
3E**	5.4	10.5
3D & 3E**	21.5	41.8
3H	2.7	5.3
3I	0.6	1.1
3K	3.3	6.6
3M**	28.7	55.9
4**	1.8	3.8
5A**	2.4	5.2
5B**	2.3	4.6
6**	5.1	10.0
7A**	8.1	16.0
7B**	17.9	35.5
7C**	5.6	11.6
8	23.2	45.9

PIPE RUN	SIZE
PR-1	24"
PR-2	30"
PR-3	36"
PR-4	36"
PR-5	18"
PR-6	42"
PR-10	30"
PR-16	30"
PR-17	18"
PR-18	18"
PR-19	18"
PR-20	30"
PR-22	30"
PR-23	30"
PR-24	EXIST. 30"
PR-25	30"
POND 1	42"
POND 2	30"

ALL STORM DRAIN IS RCP



DATE: _____

NO. _____

DESCRIPTION: _____

REVISIONS: _____

UNLESS SHOWN OTHERWISE, ALL DIMENSIONS ARE IN FEET AND DECIMALS THEREOF. ALL DIMENSIONS SHALL BE TO THE CENTERLINE UNLESS OTHERWISE NOTED.

APPROVED FOR THE CITY OF COLORADO SPRINGS:

APPROVED FOR THE COUNTY OF EL PASO:

DESIGNED BY QNA
DRAWN BY QNA
CHECKED BY LDR

H-SCALE 1"=80'
V-SCALE N/A

JOB NO. 1304.00
DATE ISSUED 6/18/13
SHEET NO. 1 OF 1

PREPARED FOR:
APPALOOSA INVESTMENTS INC.
ATTN: KYLE GEDTIZ
5625 APPALOOSA DRIVE
COLORADO SPRINGS, CO 80923
(719) 491-4169

Terra Nova
Engineering, Inc.
125 N. WASHACHE AVE., SUITE 101
COLORADO SPRINGS, CO 80902
PHONE: 719-535-6422
FAX: 719-535-6426
www.terrannova.com