

STATEMENT:
THE CITY OF COLORADO SPRINGS RECOGNIZES THE DESIGN ENGINEER AS HAVING RESPONSIBILITY FOR THE DESIGN; THE CITY HAS LIMITED ITS SCOPE OF REVIEW ACCORDINGLY.
RESUBMITTAL REQUIRED IF CONSTRUCTION HAS NOT COMMENCED WITHIN 180 DAYS AFTER REVIEW DATE.

REVIEW:
STREET DESIGN:
CURB & GUTTER REVIEW _____ DATE _____
FINAL REVIEW _____ DATE _____
DRAINAGE DESIGN: DRAINAGE BASIN FILED IN ACCORDANCE WITH SECTION 15-3-906 OF COLORADO SPRINGS 1980, AS AMENDED
DATE _____

DESIGN DATA:
SIDEWALKS: WIDTH: _____ LOCATION: Attached Detached
CURB TYPE 1 2 3
R/W WIDTH _____ F/C-F/C _____
STREET TYPE _____ HVEEM _____
ASPHALT THICKNESS:
AC Surface _____
AC Base _____
AGG. BASE THICKNESS:
Class 6 _____
Class 5 _____
Class 2 _____

BENCHMARKS:

STATEMENTS:
A. SEWER - ANY CHANGES OR ALTERATIONS EFFECTING THE GRADE, ALIGNMENT, ELEVATION, AND DEPTH OF COVER OF SEWERS AND APPURTENANCES SHOWN ON THIS DRAWING SHALL BE THE RESPONSIBILITY OF THE OWNER/DEVELOPER. THE OWNER/DEVELOPER SHALL BE RESPONSIBLE FOR ALL OPERATIONAL DAMAGES AND DEFECTS IN INSTALLATION AND MATERIAL FOR MAINS AND SERVICES FROM THE DATE OF APPROVAL UNTIL FINAL ACCEPTANCE IS ISSUED.
B. WATER - THIS APPROVAL SUBJECT TO THE FINAL STREET GRADE LEAVING A MINIMUM COVER OF 5'(FIVE FEET) OVER THE WATER MAIN. ANY CHANGES SHALL BE AT THE EXPENSE OF THE OWNER OR DEVELOPER.
BY: _____

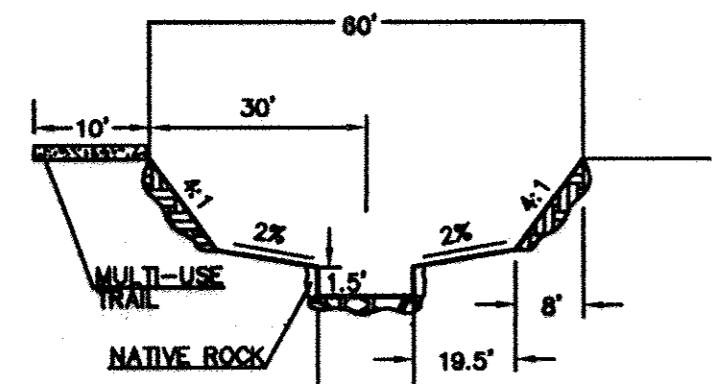
PREPARED UNDER MY DIRECT SUPERVISION FOR AND ON BEHALF OF JR ENGINEERING
AARON B. EGBERT, COLORADO P.E. #34208 DATE _____

BY	DATE	NO.	REVISION	PER CITY COMMENTS
QNA	08/25/01	1		
H-SCALE	1"=50'	DESIGNED BY	QNA	
V-SCALE	1"=5'	DATE	8/3/00	
		DRAWN BY	LAE	
		CHECKED BY		
THE ESTATES AT MIDDLE CREEK				
PRELIMINARY CHANNEL IMPROVEMENTS				
SHEET 1 OF 3			JOB NO. 8639.44	

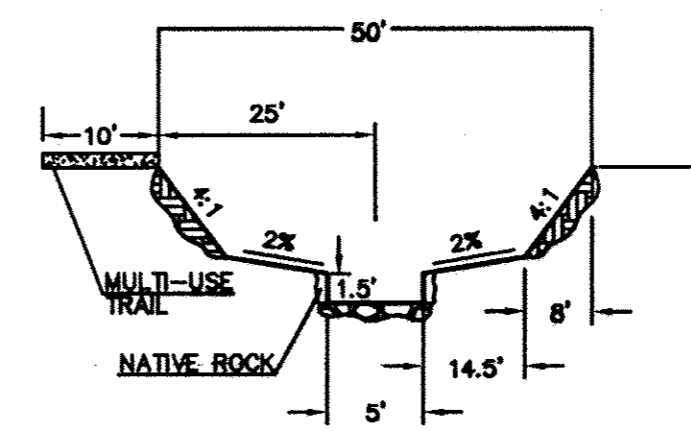
UNLESS SUCH TIME AS THESE DRAWINGS ARE APPROVED BY THE APPROPRIATE REVIEWING AGENCIES, JR ENGINEERING APPROVES THEIR USE ONLY FOR THE PURPOSES DESIGNATED BY WRITTEN AUTHORIZATION.

PREPARED FOR

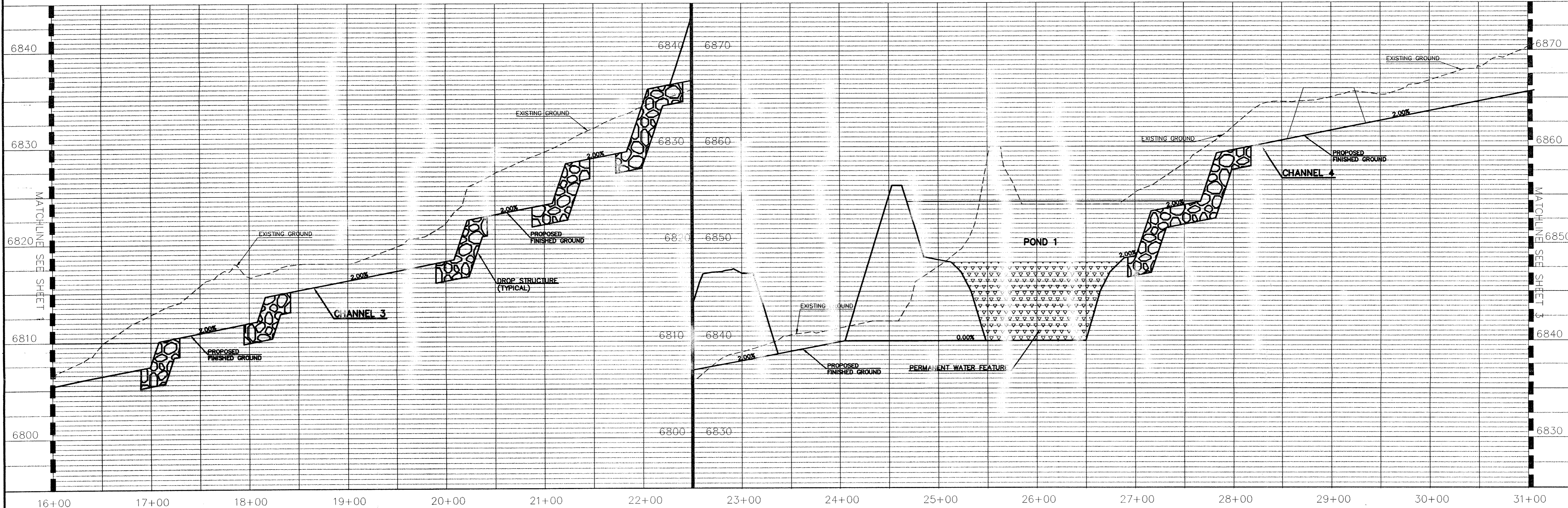
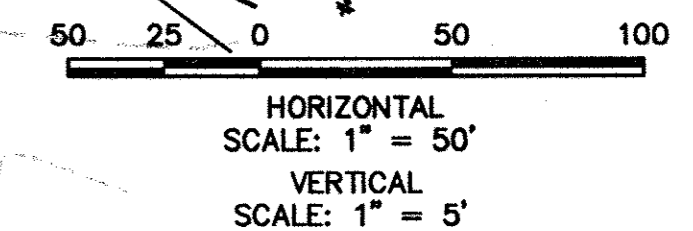
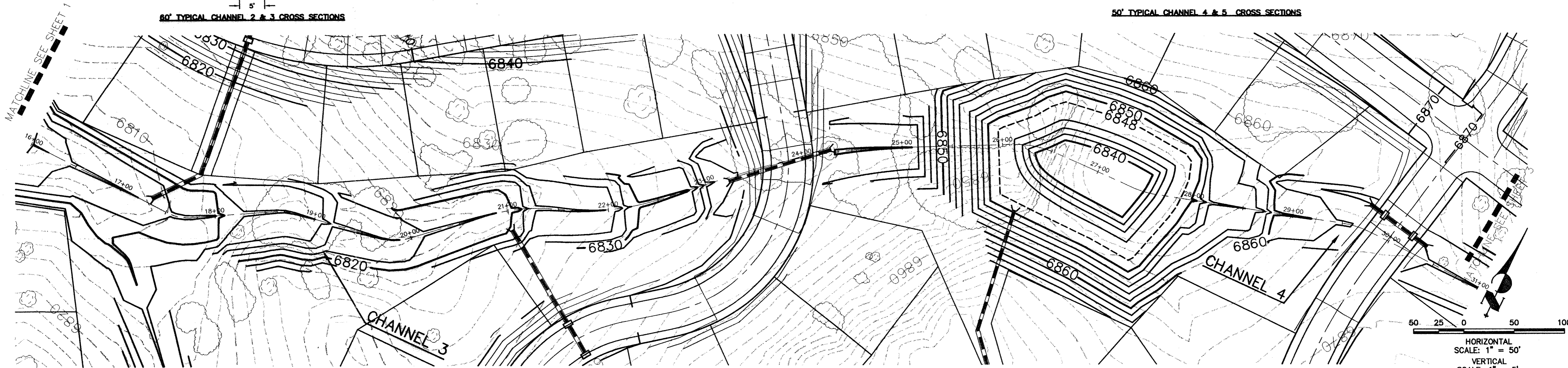
JR ENGINEERING
A Subsidiary of Westman
4330 ArrowsWest Drive • Colorado Springs, CO 80907
719-589-2538 • Fax: 719-528-6633
www.jrengineering.com



80' TYPICAL CHANNEL 2 & 3 CROSS SECTIONS



50' TYPICAL CHANNEL 4 & 5 CROSS SECTIONS



STATEMENT:
 THE CITY OF COLORADO SPRINGS RECOGNIZES THE DESIGN ENGINEER AS HAVING RESPONSIBILITY FOR THE DESIGN; THE CITY HAS LIMITED ITS SCOPE OF REVIEW ACCORDINGLY.
 RESUBMITAL REQUIRED IF CONSTRUCTION HAS NOT COMMENCED WITHIN 180 DAYS AFTER REVIEW DATE.

REVIEW:
 STREET DESIGN: _____ DATE _____
 CURB & GUTTER REVIEW _____ DATE _____
 FINAL REVIEW _____ DATE _____
 DRAINAGE DESIGN: DRAINAGE BASIN FILED IN ACCORDANCE WITH SECTION 15-3-906 OF COLORADO SPRINGS 1980, AS AMENDED
 _____ DATE _____

DESIGN DATA:
 SIDEWALKS: WIDTH: _____
 LOCATION: Attached Detached
 CURB TYPE 1 2 3
 R/W WIDTH _____ F/C-F/C _____
 STREET TYPE _____ HVEEM _____
 ASPHALT THICKNESS:
 AC Surface _____
 AC Base _____
 AGG. BASE THICKNESS:
 Class 6 _____
 Class 5 _____
 Class 2 _____

BENCHMARKS:

STATEMENTS:
 A. SEWER - ANY CHANGES OR ALTERATIONS EFFECTING THE GRADE, ALIGNMENT, ELEVATION, AND DEPTH OF COVER OF SEWERS AND APPURTENANCES SHOWN ON THIS DRAWING SHALL BE THE RESPONSIBILITY OF THE OWNER/DEVELOPER. THE OWNER/DEVELOPER SHALL BE RESPONSIBLE FOR ALL OPERATIONAL DAMAGES AND DEFECTS IN INSTALLATION AND MATERIAL FOR MAINS AND SERVICES FROM THE DATE OF APPROVAL UNTIL FINAL ACCEPTANCE IS ISSUED.
 B. WATER - THIS APPROVAL SUBJECT TO THE FINAL STREET GRADE LEAVING A MINIMUM COVER OF 5'(FIVE FEET) OVER THE WATER MAIN. ANY CHANGES SHALL BE AT THE EXPENSE OF THE OWNER OR DEVELOPER.

PREPARED UNDER MY DIRECT SUPERVISION FOR AND ON BEHALF OF JR ENGINEERING
 AARON B. EGBERT, COLORADO P.E. #34208 DATE _____

THE ESTATES AT MIDDLE CREEK PRELIMINARY CHANNEL IMPROVEMENTS	H-SCALE	1"=50'	DESIGNED BY	QNA
	V-SCALE	1"=5'	DRAWN BY	LAE
DATE	8/3/00	CHECKED BY		
BY	QNA	NO. REVISION	1	PER CITY COMMENTS
DATE	05/25/01			
SHEET 2 OF 3				
JOB NO. 8639.44				

UNTIL SUCH TIME AS THESE DRAWINGS ARE REVISED, THEY ARE NOT TO BE USED FOR ANY PURPOSES WITHOUT THE WRITTEN APPROVAL OF JR ENGINEERING. APPROVED FOR THE PURPOSES OF THIS DRAWING ONLY FOR THE PURPOSES DESIGNATED BY WRITTEN AUTHORIZATION.

PREPARED FOR

JR ENGINEERING
 A Subsidiary of Westcon
 430 Ironwood Drive • Colorado Springs, CO 80907
 719-593-2553 • Fax: 719-528-4813
 www.jrengineering.com

X:\2663000_01\12663944\Drawings\concept\863944CH2.dwg Mon Jun 25 09:21:21 2001

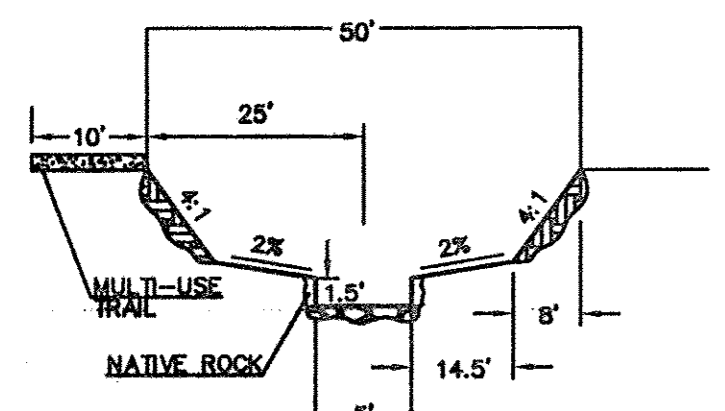
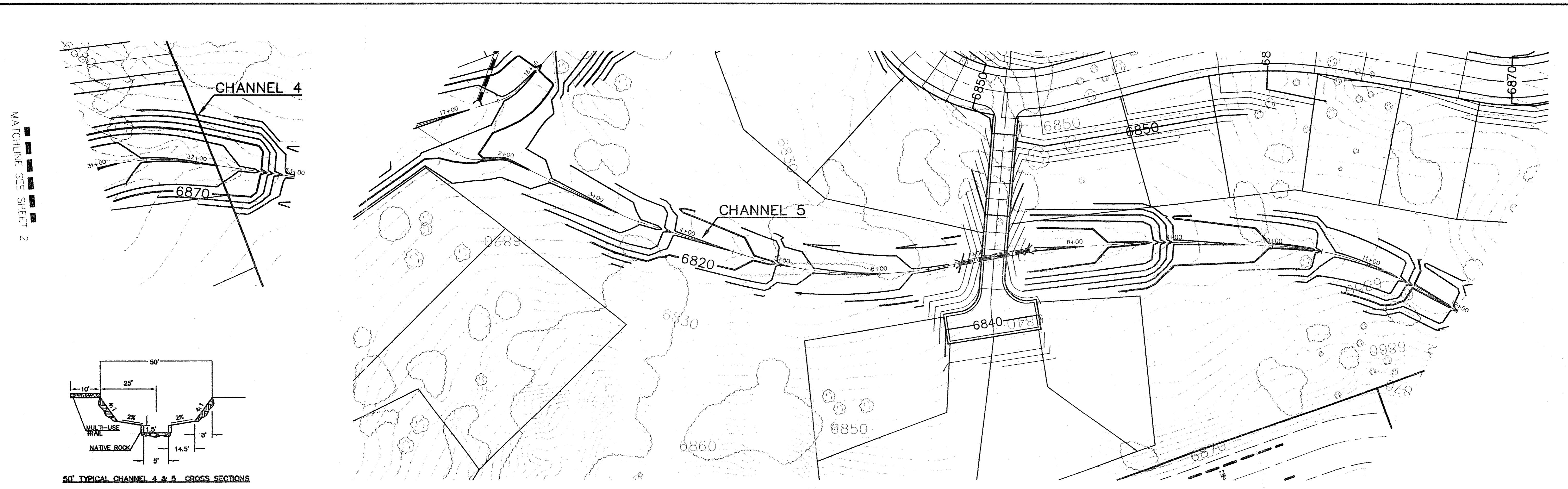
UNTIL SUCH TIME AS THESE DRAWINGS ARE APPROVED BY THE APPROVED REVIEWING AGENCIES, REVIEWING ENGINEERS, OR OTHERS, THE USER APPROVES THEIR USE ONLY FOR THE PURPOSES DESIGNATED BY WRITTEN AUTHORIZATION.

PREPARED FOR

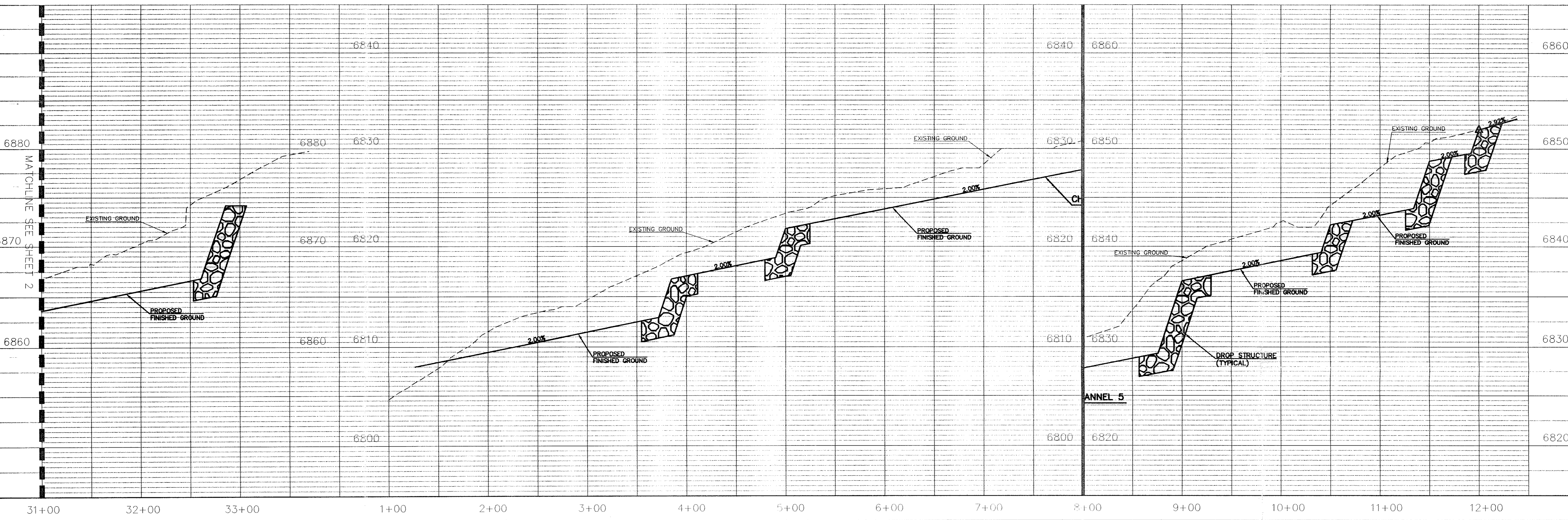
JR ENGINEERING
 A Subsidiary of Westcon
 430 ArrowsWest Drive • Colorado Springs, CO 80907
 719-533-2583 • Fax 719-528-6616
 www.jrengineering.com

DATE	BY	REVISION	PER CITY COMMENTS
06/25/01	QNA	1	

H-SCALE	V-SCALE	DATE	DESIGNED BY	DRAWN BY	CHECKED BY
1"=50'	1"=5'	8/3/00	QNA	LAE	



50' TYPICAL CHANNEL 4 & 5 CROSS SECTIONS



STATEMENT:
 THE CITY OF COLORADO SPRINGS RECOGNIZES THE DESIGN ENGINEER AS HAVING RESPONSIBILITY FOR THE DESIGN; THE CITY HAS LIMITED ITS SCOPE OF REVIEW ACCORDINGLY.
 RESUBMITTAL REQUIRED IF CONSTRUCTION HAS NOT COMMENCED WITHIN 180 DAYS AFTER REVIEW DATE.

REVIEW:
 STREET DESIGN: _____ DATE _____
 CURB & GUTTER REVIEW _____ DATE _____
 FINAL REVIEW _____ DATE _____
 DRAINAGE DESIGN: DRAINAGE BASIN _____
 FILED IN ACCORDANCE WITH SECTION 15-3-906 OF COLORADO SPRINGS 1980, AS AMENDED
 _____ DATE _____

DESIGN DATA:
 SIDEWALKS: WIDTH: _____
 LOCATION: Attached Detached
 CURB TYPE 1 2 3
 R/W WIDTH _____ F/C-F/C _____
 STREET TYPE _____ HVEEM _____
 ASPHALT THICKNESS:
 AC Surface _____
 AC Base _____
 AGG. BASE THICKNESS:
 Class 6 _____
 Class 5 _____
 Class 2 _____

BENCHMARKS:

STATEMENTS:
 A. SEWER - ANY CHANGES OR ALTERATIONS EFFECTING THE GRADE, ALIGNMENT, ELEVATION, AND DEPTH OF COVER OF SEWERS AND APPURTENANCES SHOWN ON THIS DRAWING SHALL BE THE RESPONSIBILITY OF THE OWNER/DEVELOPER. THE OWNER/DEVELOPER SHALL BE RESPONSIBLE FOR ALL OPERATIONAL DAMAGES AND DEFECTS IN INSTALLATION AND MATERIAL FOR MAINS AND SERVICES FROM THE DATE OF APPROVAL UNTIL FINAL ACCEPTANCE IS ISSUED.
 B. WATER - THIS APPROVAL SUBJECT TO THE FINAL STREET GRADE LEAVING A MINIMUM COVER OF 5'(FIVE FEET) OVER THE WATER MAIN. ANY CHANGES SHALL BE AT THE EXPENSE OF THE OWNER OR DEVELOPER.

PREPARED UNDER MY DIRECT SUPERVISION FOR AND ON BEHALF OF JR ENGINEERING
 AARON B. EGBERT, COLORADO P.E. #34208 DATE _____
 BY: _____

x:\2860000\011\2863944\Drawings\Concept\683944C13.dwg Mon Jun 25 09:28:08 2001