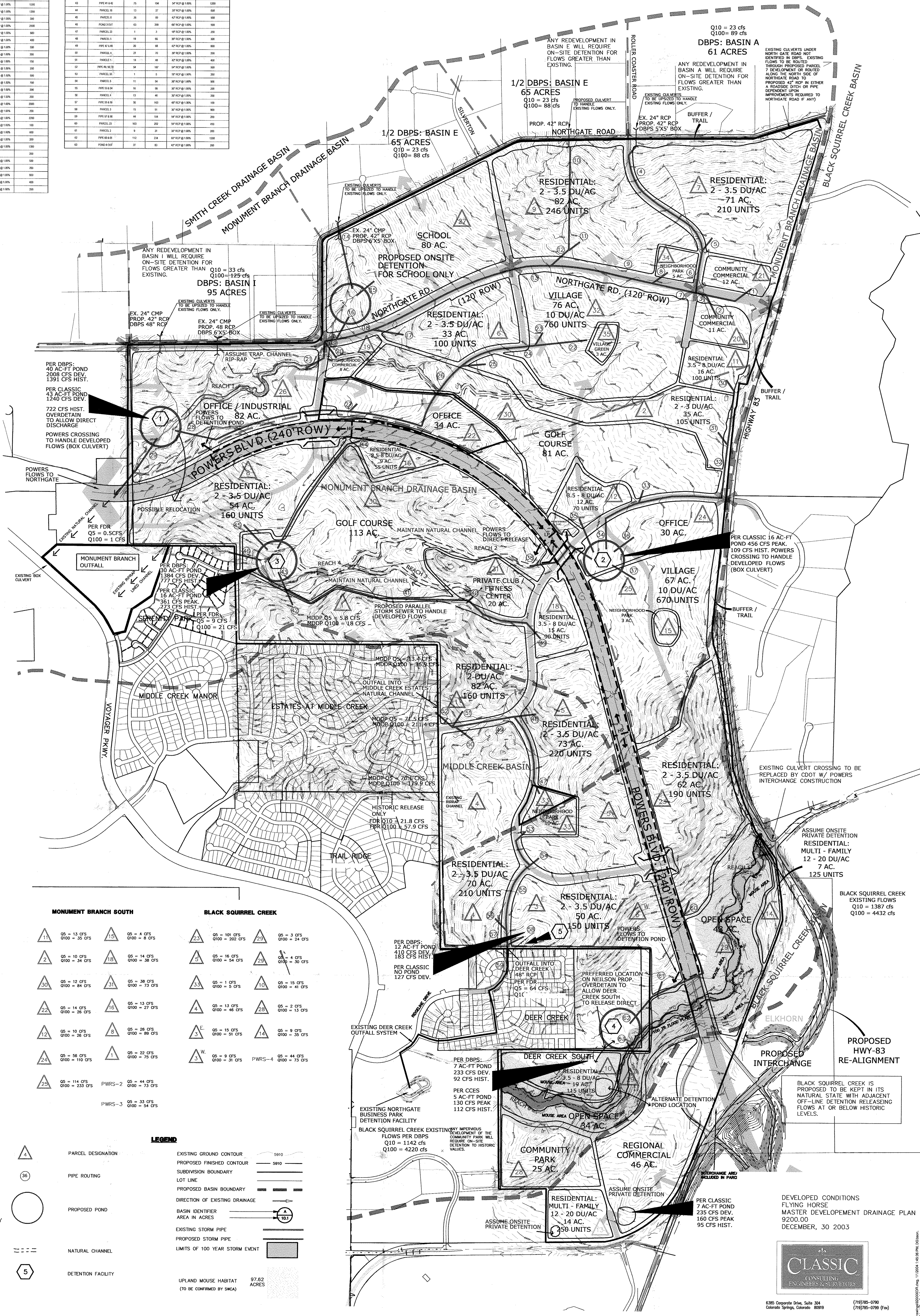


Pipe Run	Contributing Basin	Q10 cfs	Q100 cfs	Pipe Size	APPROX. LENGTH (L.F.)
1	PARCEL 21	35	43	30" RCP @ 1.00%	415
2	PARCEL 25	26	48	30" RCP @ 1.00%	260
3	PIPE 1.6.2	61	112	48" RCP @ 1.00%	360
4	DBPS BASIN A	23	89	42" RCP @ 1.00%	1000
5	PARCEL 7	34	118	48" RCP @ 1.00%	500
6	PIPE 4.4.5	37	200	48" RCP @ 1.00%	580
7	PIPE 4.5.2	127	207	48" RCP @ 1.00%	200
8	PARCEL 34	1	4	30" RCP @ 1.00%	1200
9	PIPE 7.4.8	130	300	60" RCP @ 1.00%	1200
10	10 DBPS BASIN E	23	118	42" RCP @ 1.00%	300
11	PARCEL 0	40	136	48" RCP @ 1.00%	2000
12	PIPE 11.6.11	30	202	48" RCP @ 1.00%	800
13	PIPE 13.6.2	180	407	48" RCP @ 1.00%	400
14	10 DBPS BASIN E	23	118	42" RCP @ 1.00%	300
15	PARCEL 27	100	203	48" RCP @ 1.00%	300
16	SCHOOL OUT	47	100	48" RCP @ 1.00%	100
17	PARCEL 6	15	10	30" RCP @ 1.00%	200
18	PIPE 13.6.17	200	461	60" RCP @ 1.00%	900
19	PIPE 16.6.16	230	792	60" RCP @ 1.00%	700
20	PARCEL 19	19	25	30" RCP @ 1.00%	200
21	PIPE 19.6.20	240	518	60" RCP @ 1.00%	200
22	PARCEL 18	1	2	30" RCP @ 1.00%	2000
23	PARCEL 22	140	306	48" RCP @ 1.00%	700
24	PIPE 22.6.23	100	307	48" RCP @ 1.00%	2200
25	10 DBPS BASIN E	7	24	30" RCP @ 1.00%	100
26	PARCEL 25	170	330	48" RCP @ 1.00%	900
27	PARCEL 22	46	120	48" RCP @ 1.00%	200
28	PIPE 26.6.27	220	443	60" RCP @ 1.00%	1300
29	PIPE OUT	520	1250	72"	200
30	PARCEL 11	17	30	30" RCP @ 1.00%	2000
31	10 DBPS BASIN E	18	38	30" RCP @ 1.00%	100
32	PIPE 16.6.31	23	60	42" RCP @ 1.00%	100
33	10 DBPS BASIN E	5	24	30" RCP @ 1.00%	400
34	PIPE 16.6.33	25	36	42" RCP @ 1.00%	200

Parcel No.	Parcel Area (Ac)	Q10 cfs	Q100 cfs	Stormwater Volume (cu ft)
35	PARCEL 12	10	35	37 RCP @ 1.00%
36	PARCEL 24	50	110	48 RCP @ 1.00%
37	PARCEL 24.15	110	230	60 RCP @ 1.00%
38	PARCEL 20.01	31	107	48 RCP @ 1.00%
39	PARCEL 11	14	36	30 RCP @ 1.00%
40	PARCEL 23	20	70	42 RCP @ 1.00%
41	PARCEL 40	53	113	48 RCP @ 1.00%
42	10 DBPS BASIN E	23	89	42 RCP @ 1.00%
43	PARCEL 40	75	164	54 RCP @ 1.00%
44	PARCEL 10	13	27	30 RCP @ 1.00%
45	PARCEL 8	26	80	42 RCP @ 1.00%
46	PARCEL 20.01	43	208	60 RCP @ 1.00%
47	PARCEL 20	1	3	30 RCP @ 1.00%
48	PARCEL 17	10	40	30 RCP @ 1.00%
49	PARCEL 44.44	20	60	42 RCP @ 1.00%
50	PARCEL 4	21	70	30 RCP @ 1.00%
51	PARCEL 1	14	44	42 RCP @ 1.00%
52	PARCEL 16.15	34	102	48 RCP @ 1.00%
53	PARCEL 25	1	5	30 RCP @ 1.00%
54	PARCEL 5	11	36	30 RCP @ 1.00%
55	PARCEL 24	62	136	48 RCP @ 1.00%
56	PARCEL 17	13	40	30 RCP @ 1.00%
57	PARCEL 43	30	103	48 RCP @ 1.00%
58	PARCEL 13	13	41	30 RCP @ 1.00%
59	PARCEL 14.16	44	104	48 RCP @ 1.00%
60	PARCEL 22	103	202	60 RCP @ 1.00%
61	PARCEL 3	9	28	30 RCP @ 1.00%
62	PARCEL 44.11	113	234	60 RCP @ 1.00%
63	PARCEL 40.07	27	83	48 RCP @ 1.00%



MISC. FORD FAIRLANE

△	Q5 = 1 CFS Q100 = 5 CFS
△	Q5 = 23 CFS Q100 = 47 CFS
△	Q5 = 111 CFS Q100 = 200 CFS

MIDDLE CREEK

△	Q5 = 14 CFS Q100 = 49 CFS
△	Q5 = 21 CFS Q100 = 70 CFS
△	Q5 = 19 CFS Q100 = 66 CFS
△	Q5 = 1 CFS Q100 = 3 CFS

MONUMENT BRANCH NORTH

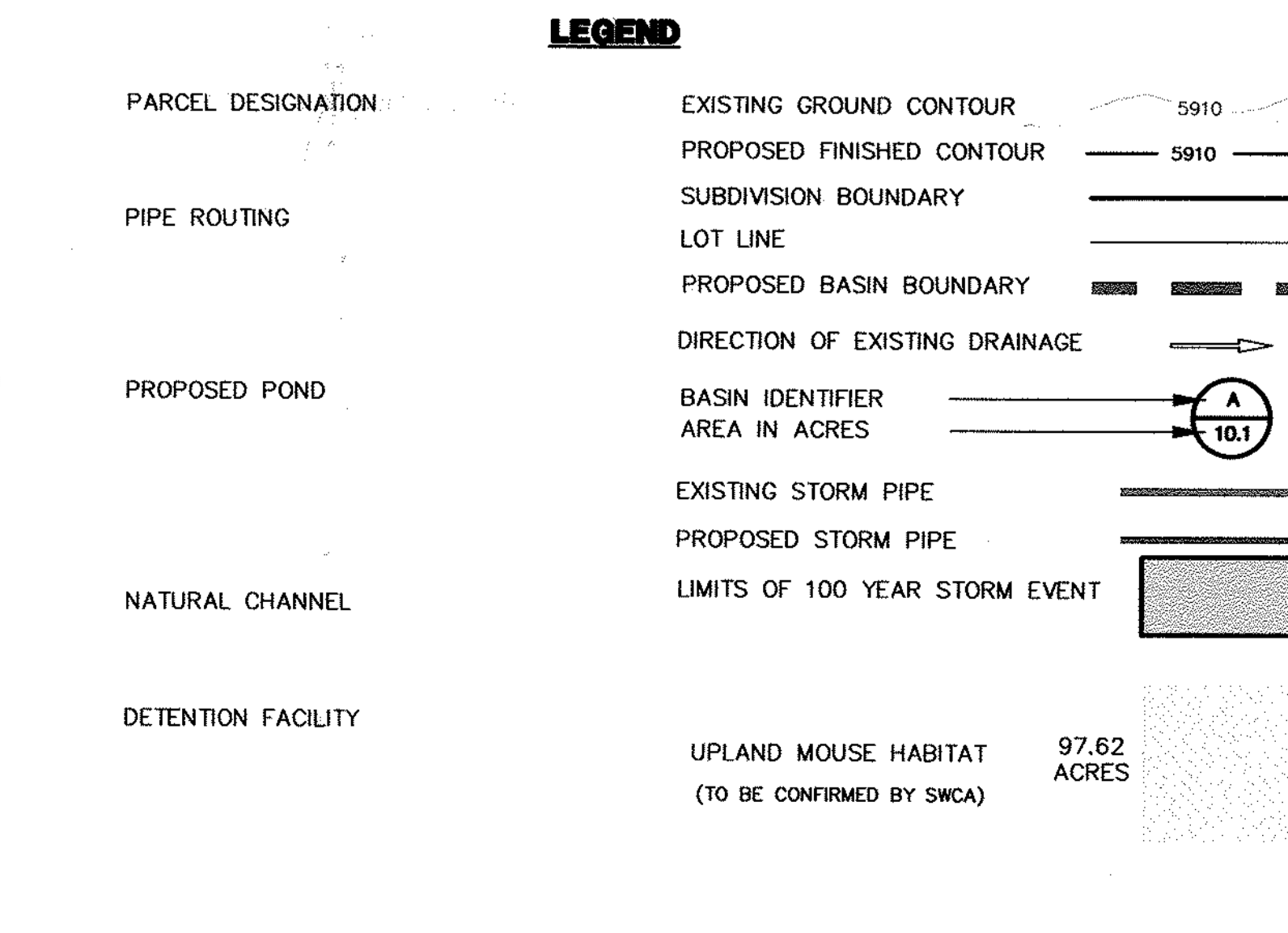
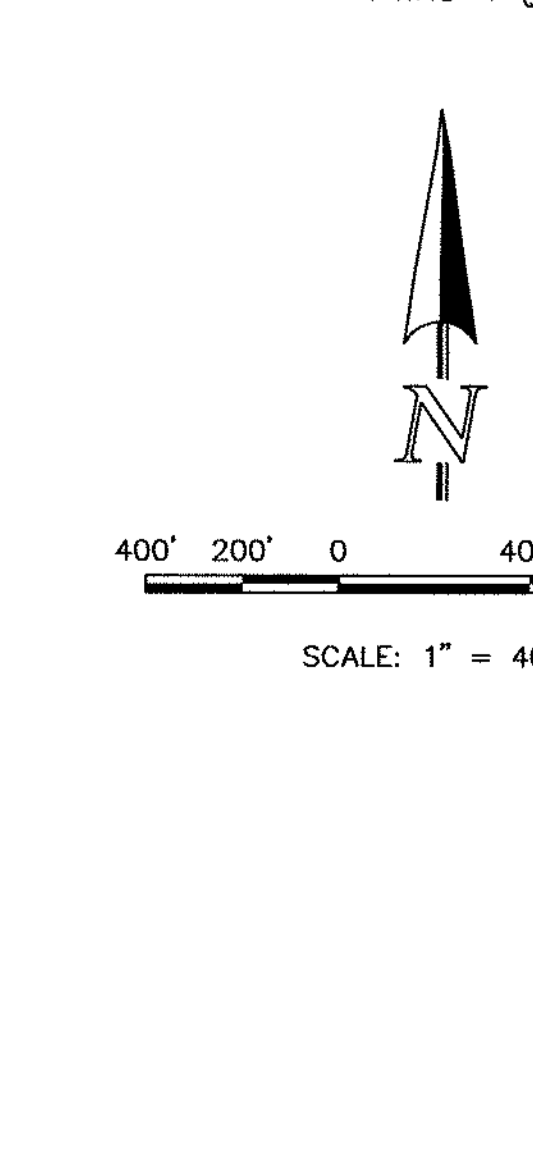
△	Q5 = 34 CFS Q100 = 117 CFS
△	Q5 = 40 CFS Q100 = 136 CFS
△	Q5 = 150 CFS Q100 = 293 CFS
△	Q5 = 1 CFS Q100 = 4 CFS
△	Q5 = 38 CFS Q100 = 64 CFS
△	Q5 = 28 CFS Q100 = 48 CFS
△	Q5 = 169 CFS Q100 = 305 CFS
△	Q5 = 28 CFS Q100 = 46 CFS

MONUMENT BRANCH SOUTH

△	Q5 = 13 CFS Q100 = 35 CFS
△	Q5 = 10 CFS Q100 = 34 CFS
△	Q5 = 12 CFS Q100 = 84 CFS
△	Q5 = 14 CFS Q100 = 26 CFS
△	Q5 = 10 CFS Q100 = 28 CFS
△	Q5 = 56 CFS Q100 = 110 CFS
△	Q5 = 114 CFS Q100 = 233 CFS
△	Q5 = 33 CFS Q100 = 54 CFS

BLACK SQUIRREL CREEK

△	Q5 = 101 CFS Q100 = 202 CFS
△	Q5 = 16 CFS Q100 = 54 CFS
△	Q5 = 1 CFS Q100 = 5 CFS
△	Q5 = 13 CFS Q100 = 46 CFS
△	Q5 = 15 CFS Q100 = 51 CFS
△	Q5 = 9 CFS Q100 = 31 CFS
△	Q5 = 3 CFS Q100 = 8 CFS
△	Q5 = 24 CFS Q100 = 50 CFS
△	Q5 = 15 CFS Q100 = 41 CFS
△	Q5 = 2 CFS Q100 = 13 CFS
△	Q5 = 2 CFS Q100 = 13 CFS
△	Q5 = 44 CFS Q100 = 73 CFS



CLASSIC CONSULTING ENGINEERS & SURVEYORS

6385 Corporate Drive, Suite 304
Colorado Springs, Colorado 80919
(719)785-0790
(719)785-0799 (Fax)

DEVELOPING CONDITIONS
FLYING HORSE
MASTER DEVELOPMENT DRAINAGE PLAN
9200.00
DECEMBER, 30 2003