

Revisions

**Greiner Engineering**  
 Greiner Engineering Sciences, Inc.  
 Denver, Colorado, Colorado Springs, Colorado  
 Albuquerque, N.M., Kemmerer, Wyoming

Design **KCH**  
 Drawn **KCH**  
 Check **KCH**  
 Scale 1" = 200'  
 5/11/86

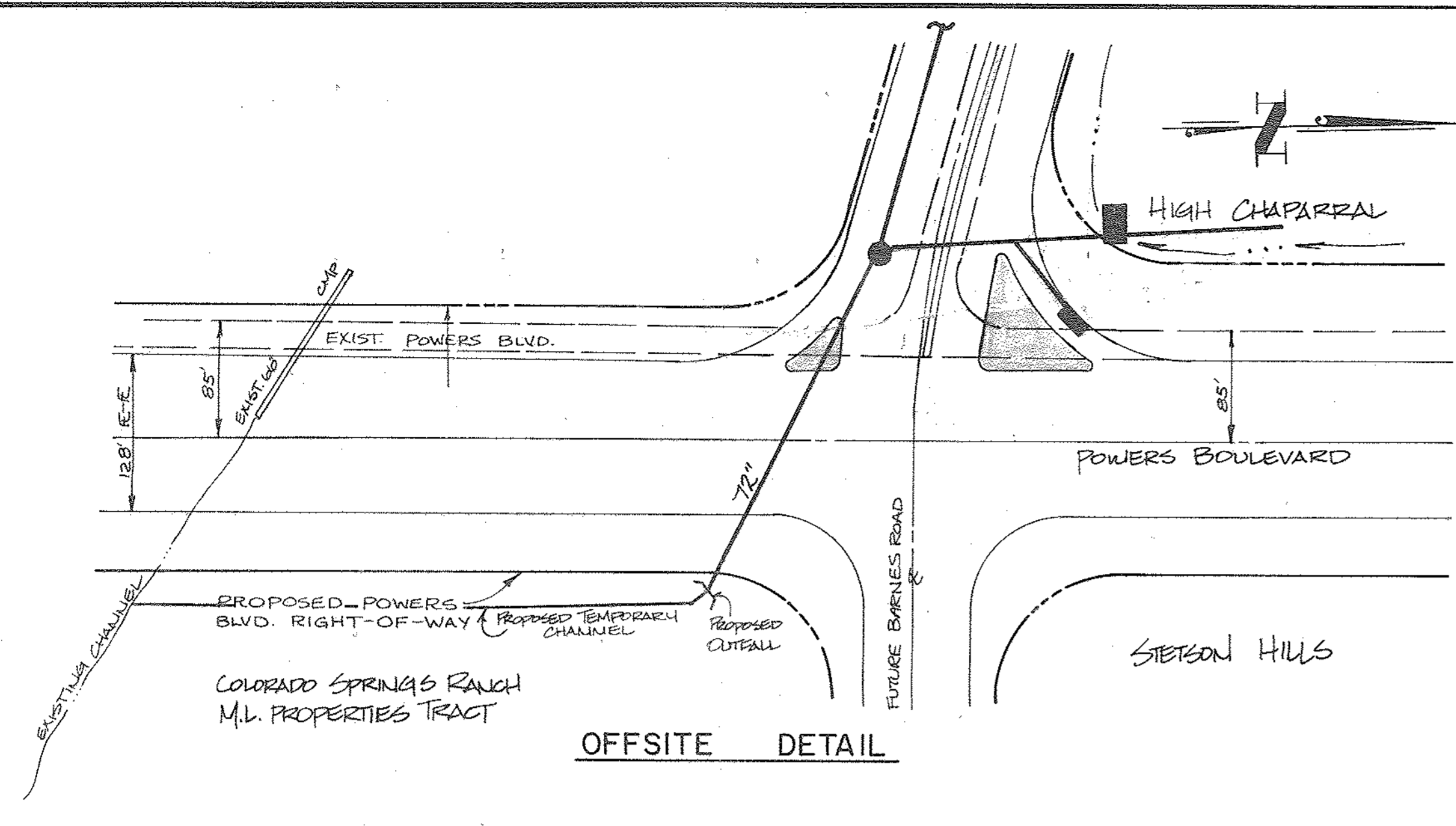
HIGH CHAPARRAL SUBD.  
 OVERALL DRAINAGE PLAN  
 Date APRIL, 1986  
 Job No. 5178806  
 Sheet 1 of 3

**LEGEND**

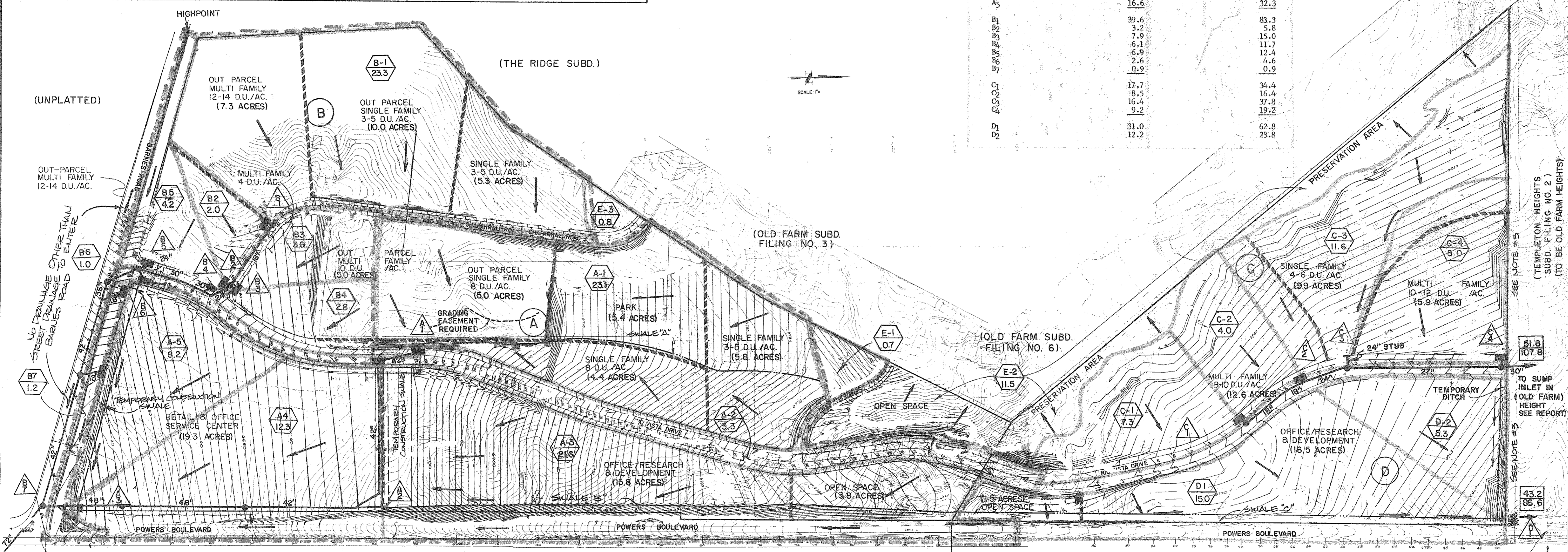
- MAJOR BASIN BOUNDARY
- SUB BASIN BOUNDARY
- ZONE LINES FROM MASTER PLAN
- SUB BASIN DESIGNATION
- AREA IN ACRES
- PROPOSED STORM SEWER W/INLET & MANHOLE
- DESIGN POINT
- DESIGN STORM - 5 YR. CFS  
 MAJOR STORM - 100 YR. CFS

Flows for High Chaparral

Basin No.	5-Year Storm (cfs)	100-Year Storm (cfs)
A1	27.5	66.5
A2	9.5	16.7
A3	35.9	75.6
A4	22.6	42.0
A5	16.6	32.3
B1	39.6	83.3
B2	3.2	5.8
B3	7.9	15.0
B4	6.1	11.7
B5	6.9	12.4
B6	2.6	4.6
B7	0.9	0.9
C1	17.7	34.4
C2	8.5	16.4
C3	16.4	37.8
C4	9.2	19.2
D1	31.0	62.8
D2	12.2	23.8



OFFSITE DETAIL

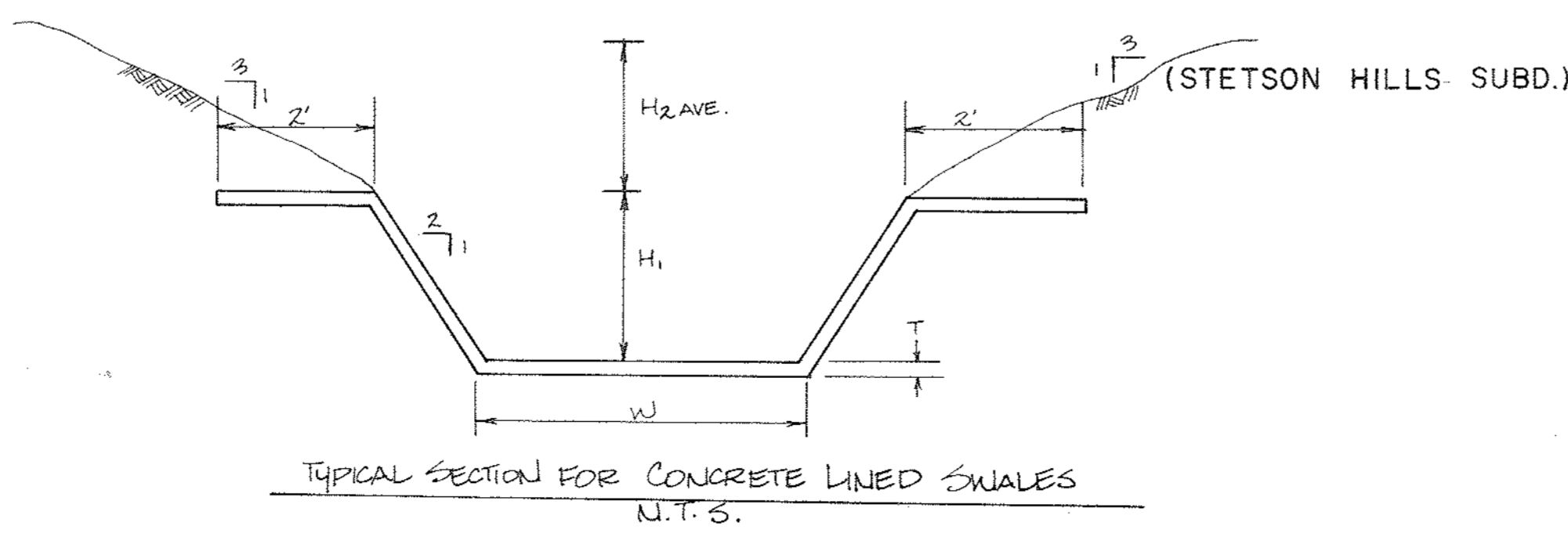


173.2  
354.2  
SEE DETAIL ABOVE

- NOTES:
- See Sheets 2 and 3 for enlarged storm system for Basins A, B, C, and D.
  - Easements for all swales will be required prior to construction.
  - All developed sheet flow from High Chaparral will be directed to design points C-4 or D-1. No developed sheet flow shall enter the Old Farm Heights Subdivision.

TYPICAL SWALE SECTION - TABLE

Location	W (feet)	T (inches)	H (feet)	H <sub>2</sub> (feet)
A	3	4	2.5	2
B	3	4	2.5	2
C	3	4	2.5	2



PROPOSED BOX CULVERT (AS PER OLD FARM HEIGHTS DRAINAGE REPORT)  
 OUTFALL STETSON HILLS PROPOSED RIP-RAPPED CHANNEL AS PER STETSON HILLS DRAINAGE REPORT