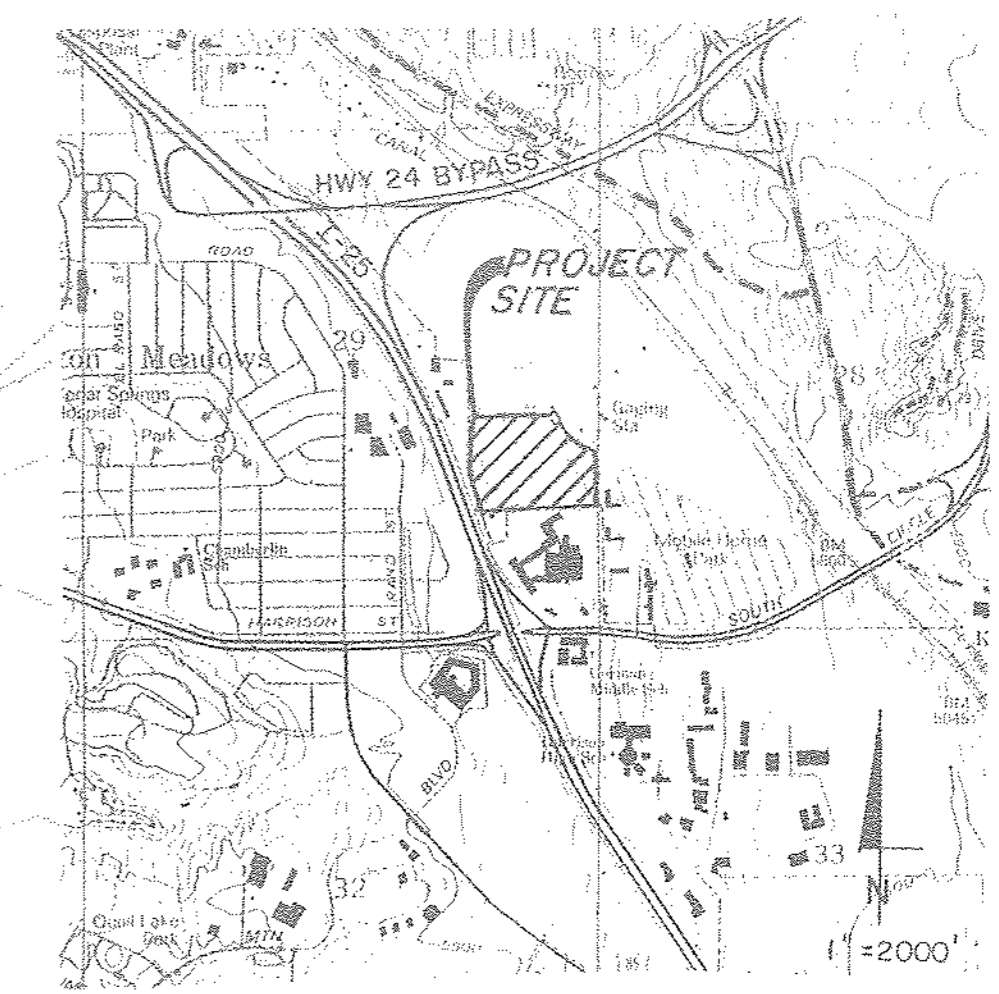


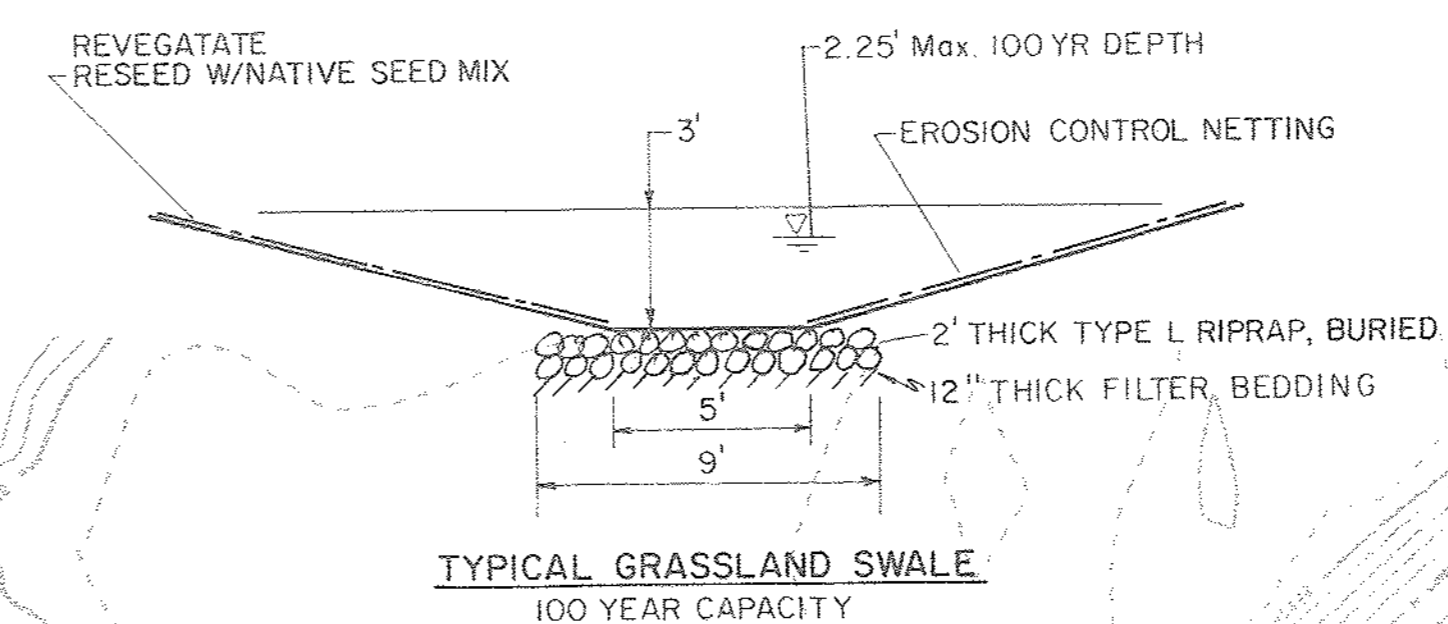
**INDUSTRIAL PARK SOUTH  
COLORADO SPRINGS, COLORADO  
FUTURE CONDITION DRAINAGE PLAN**

Project No.	95-66
Date:	9/95
Design:	RNW
Drawn:	
Check:	
Revisions:	

FIGURE 3



VICINITY MAP



SUMMARY OF DEVELOPED CONDITION DISCHARGES INDUSTRIAL PARK SOUTH

SUB-BASIN #	AREA (AC)	Q5 CFS	Q100 CFS
1	6.9	25.2	49.7
2	3.5	12.7	25.2
3	5.2	18.9	37.4
4	4.0	14.6	28.8
5	3.1	11.2	22.3
6	3.4	12.4	24.5
7	2.1	7.6	15.1
8	2.1	7.6	15.1
9	2.7	9.8	19.4

DESIGN POINT #	AREA (AC)	Q5 CFS	Q100 CFS
1	6.9	25.2	49.7
2	3.5	12.7	25.2
3	5.2	18.9	37.4
4	9.2	33.5	66.2
4.1	12.7	46.2	91.4
5	15.8	57.4	113.7
6	3.4	12.4	24.5
7	5.5	20.0	39.6
7.1	21.3	82.0	172.0
8	23.4	87.0	177.0
9	26.1	92.0	182.0

LEGEND

- SUB-BASIN NUMBER  
ACREAGE
- DESIGN POINT
- FLOW PATH
- BASIN DIVIDE

