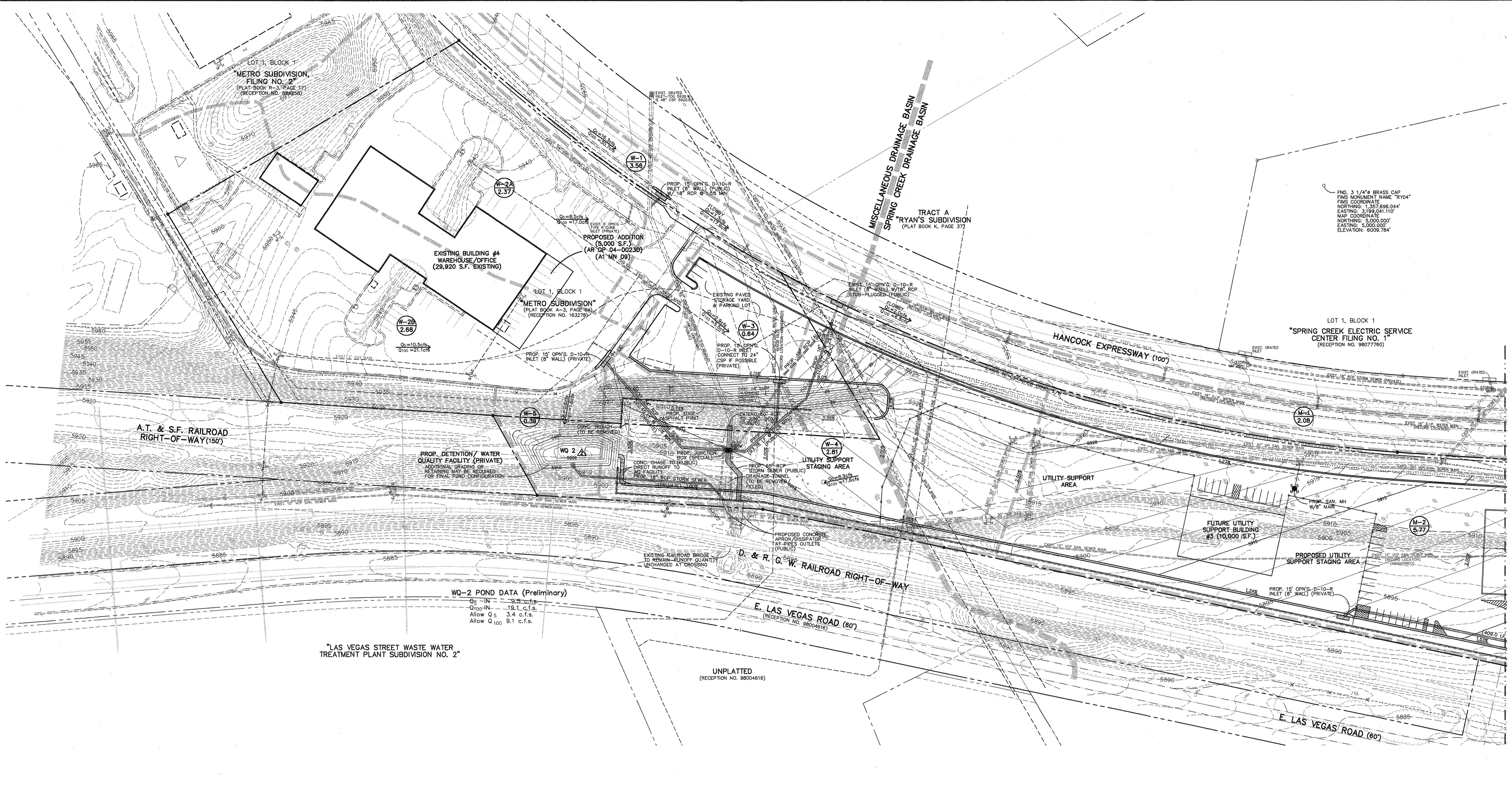


PROJECT NAME: LEON YOUNG SERVICE CENTER SOUTH, FILING NO. 1 - DEVELOPMENT PLAN
 DRAWN BY: OBERING, WURTH & ASSOCIATES (TLW)
 PROJECT NO: 09009 (UPDATED VERSION: 12-11-2009)

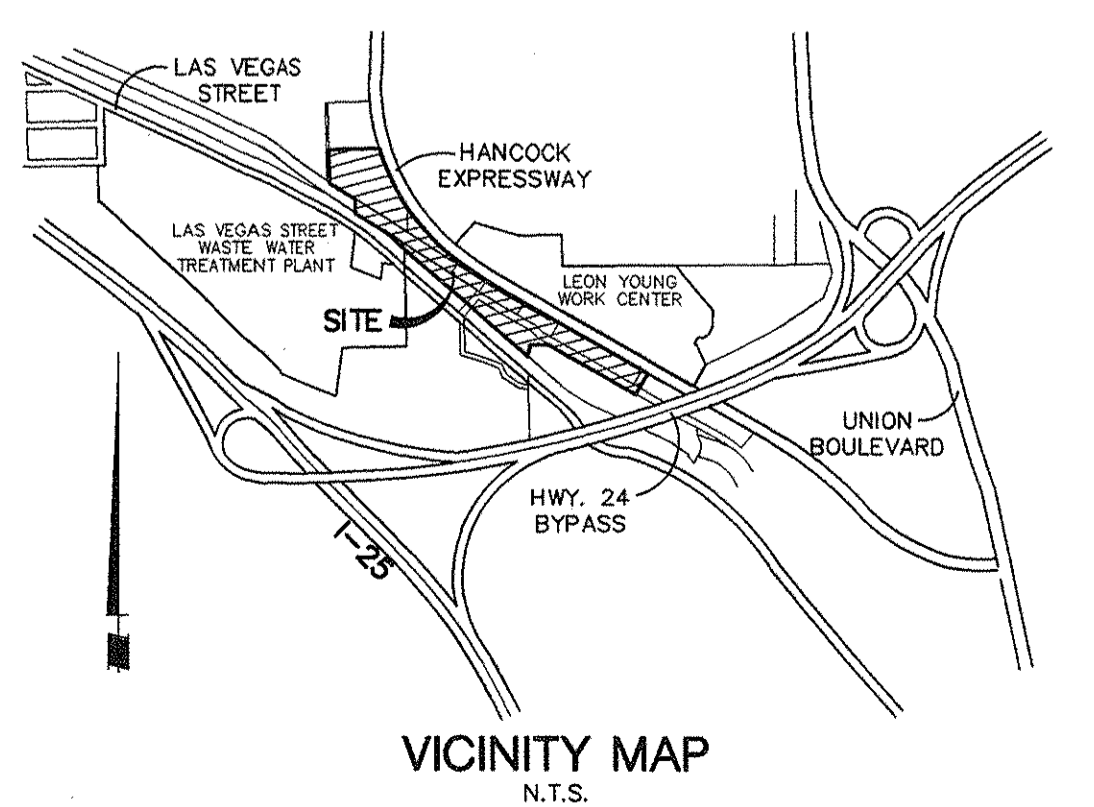


FND. 3 1/4" BRASS CAP
 FMS MONUMENT NAME "RY104"
 FMS COORDINATE
 NORTHING: 1,357,695.044
 EASTING: 3,199,041.110
 MAP COORDINATE
 NORTHING: 5,000.000
 EASTING: 5,000.000
 ELEVATION: 6008.784'

WQ-2 POND DATA (Preliminary)
 Q₅ - IN - 19.1 c.f.s.
 Q₁₀ - IN - 19.1 c.f.s.
 Allow Q₅ 3.4 c.f.s.
 Allow Q₁₀₀ 9.1 c.f.s.

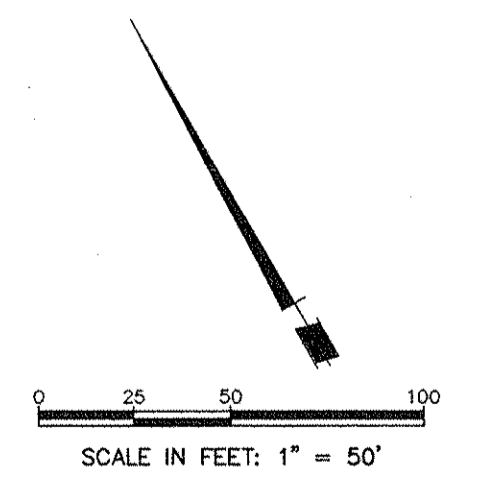
"LAS VEGAS STREET WASTE WATER
 TREATMENT PLANT SUBDIVISION NO. 2"

UNPLATTED
 (RECEPTION NO. 98004816)



LEGEND

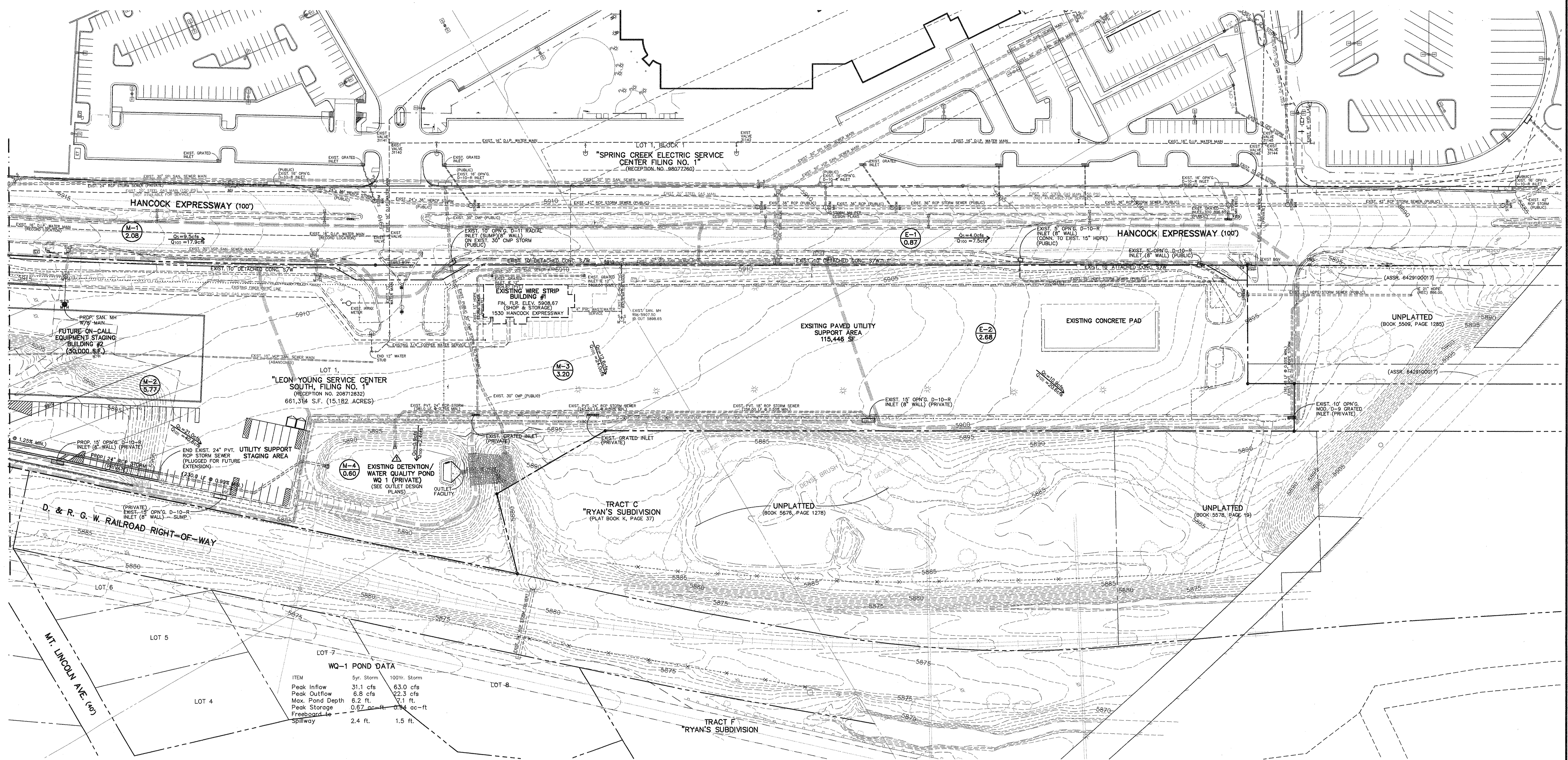
- SUBBASIN DESIGNATION AREA (ACRES)
- FLOW DIRECTION/QUANTITY
- SUMMARY PT.
- SUBBASIN BOUNDARY
- DRAINAGE BASIN BOUNDARY
- EXISTING INDEX CONTOURS (5' INTERVAL)
- EXISTING INTERMEDIATE CONTOURS (1' INTERVAL)
- PROPOSED INDEX CONTOURS (5' INTERVAL)
- PROPOSED INTERMEDIATE CONTOURS (1' INTERVAL)
- EXISTING STORM SEWER FACILITIES
- PROPOSED STORM SEWER FACILITIES
- PROPOSED RETAINING WALLS



NO.	DATE	REVISION	BY
1	12/11/09	REVISE PER COMMENTS-RESUBMIT	TLW

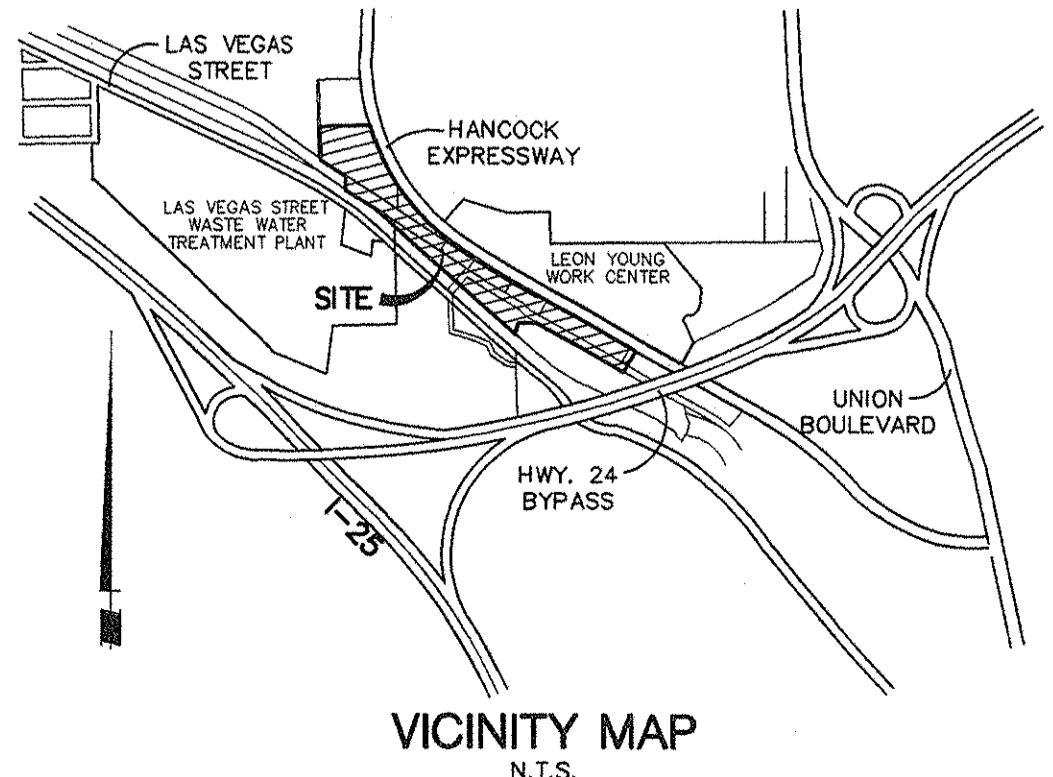
SHEET TITLE:		FIELD BOOK NO.:
MDDP DRAINAGE PLAN UPDATE		N/A
PROJECT:		SCALE: 1" = 50'
LEON YOUNG SERVICE CENTER SOUTH, FILING NO. 1		DATE: SEPT. 28, 2009
PREPARED BY:		DESIGNED BY: TLW
Obering, Wurth & Associates		CHECKED BY: TLW/RGO
Consulting Civil Engineers		DRAWN BY: TLW
Professional Land Surveyors		PROJECT NO.:
1042 Elkton Drive		09009
Colorado Springs, Colorado		SHEET NO.:
Phone (719) 531-6200 - Fax (719) 531-6266		DR1
E-mail: 228@owac.com		OF 2 SHEETS

PROJECT NAME: LEON YOUNG SERVICE CENTER SOUTH FILING NO. 1 - DEVELOPMENT PLAN
 ACAD. DWT. NAME: D. WORTH & ASSOCIATES (L.P.)
 PROJECT NO. 09009 (UPDATED VERSION: 12-11-2009)

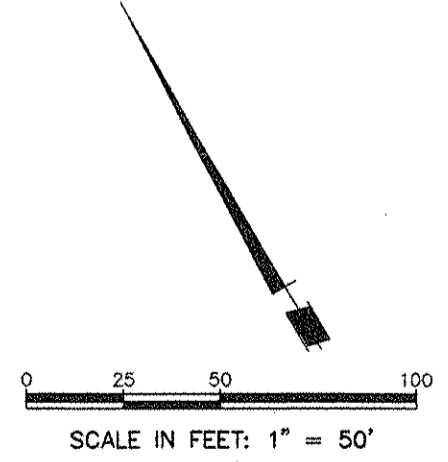


WQ-1 POND DATA

ITEM	5yr. Storm	100yr. Storm
Peak Inflow	31.1 cfs	63.0 cfs
Peak Outflow	6.8 cfs	22.3 cfs
Max. Pond Depth	6.2 ft.	7.1 ft.
Peak Storage	0.67 ac-ft	0.84 ac-ft
Freeboard to spillway	2.4 ft.	1.5 ft.



- LEGEND**
- W-5
0.39 SUBBASIN DESIGNATION AREA (ACRES)
 - $\leftarrow \frac{Q=0.6cfs}{Q=100 \text{ ac-ft}}$ FLOW DIRECTION/QUANTITY
 - \triangle SUMMARY PT.
 - SUBBASIN BOUNDARY
 - DRAINAGE BASIN BOUNDARY
 - EXISTING INDEX CONTOURS (5' INTERVAL)
 - EXISTING INTERMEDIATE CONTOURS (1' INTERVAL)
 - PROPOSED INDEX CONTOURS (5' INTERVAL)
 - PROPOSED INTERMEDIATE CONTOURS (1' INTERVAL)
 - EXISTING STORM SEWER FACILITIES
 - PROPOSED STORM SEWER FACILITIES
 - PROPOSED RETAINING WALLS



NO.	DATE	REVISION	BY
1	12/11/09	REVISE PER COMMENTS-RESUBMIT	TLW

MDDP DRAINAGE PLAN UPDATE

PROJECT: LEON YOUNG SERVICE CENTER SOUTH, FILING NO. 1

PREPARED BY: **Obering, Wurth & Associates**
 Consulting Civil Engineers
 Professional Land Surveyors
 1042 Elton Drive
 Colorado Springs, Colorado
 Phone (719) 531-6200 - Fax (719) 531-6266
 E-mail Address: obering@oberingwurth.com

FIELD BOOK NO. N/A
 SCALE: 1" = 50'
 DATE: SEPT. 28, 2009
 DESIGNED BY: TLW
 CHECKED BY: TLW/RGD
 DRAWN BY: TLW
 PROJECT NO.: 09009
 SHEET NO.: **DR2**
 OF 2 SHEETS