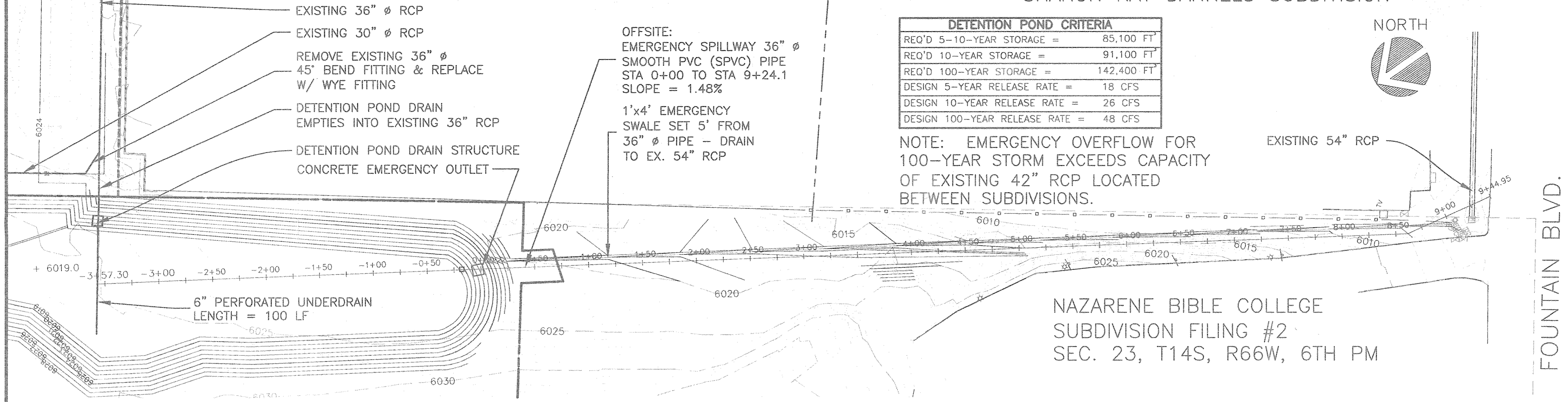


MELODY ANN ECKHARDT SUBDIVISION

SHARON KAY DANIELS SUBDIVISION



DETENTION POND CRITERIA

REQ'D 5-YEAR STORAGE =	85,100 FT ³
REQ'D 10-YEAR STORAGE =	91,100 FT ³
REQ'D 100-YEAR STORAGE =	142,400 FT ³
DESIGN 5-YEAR RELEASE RATE =	18 CFS
DESIGN 10-YEAR RELEASE RATE =	26 CFS
DESIGN 100-YEAR RELEASE RATE =	48 CFS

NOTE: EMERGENCY OVERFLOW FOR 100-YEAR STORM EXCEEDS CAPACITY OF EXISTING 42" RCP LOCATED BETWEEN SUBDIVISIONS.

OFFSITE:
EMERGENCY SPILLWAY 36" Ø SMOOTH PVC (SPVC) PIPE STA 0+00 TO STA 9+24.1 SLOPE = 1.48%
1'x4' EMERGENCY SWALE SET 5' FROM 36" Ø PIPE - DRAIN TO EX. 54" RCP

NAZARENE BIBLE COLLEGE SUBDIVISION FILING #2 SEC. 23, T14S, R66W, 6TH PM

DETENTION POND REVEGETATION NOTES & PLANT LIST

- Contractor shall be responsible for becoming aware of all related existing conditions, utilities, pipes and structures, etc. prior to bidding and construction. The Contractor shall be held responsible for contacting all utility companies for field location of all underground utility lines, including depths, prior to any excavation. Contractor shall take sole responsibility for any and all cost or other liabilities incurred due to damage of said utilities/structures/etc.
- The Contractor shall not willfully proceed with construction as designed when it is apparent that unknown obstructions and/or grade differences exist that may not have been known during design. Such conditions shall be immediately brought to the attention of the Owner's Representative for clarification. The Contractor shall assume full responsibility for all liabilities, including necessary revisions due to failure to give such notification.
- See Details for planting methods, requirements, soil testing, materials, execution and backfill.
- The Contractor shall fine grade, rake and be responsible for positive drainage away from all structures and throughout site, with accurately set flow lines. No low spots or ponding of surface water will be accepted in the final work. No rocks or debris will be accepted. Final grade tolerances are ±0.1 foot maximum.
- Coordinate installation of all plant material with installation of all adjacent irrigation, pavements, curb and related structures. Any damage to existing improvements is the responsibility of the Contractor.
- All seeded areas shall receive soil amendments per other drawings, and/or approved methods.
- All utility easements shall remain unobstructed and fully accessible along their entire length for maintenance and equipment entry.
- All base information was compiled from plans from Mark Hefta, PE, Castle Rock, Colorado (303) 688-7966 and shall be verified by a professionally certified surveyor (PLS) prior to construction. Conflicts with proposed improvements shall require the Owner's Representative to be notified immediately.
- All of the seeding mixes used are based on drill seeding followed by crimped hay or straw mulch. These rates shall be doubled if applied through hydraulic seeding. Hydraulic seeding may be substituted for drilling only where slopes are greater than 3:1. Use soil preparation guidelines for top, sides and floor of detention pond.

EMERGENCY SPILLWAY ALIGNMENT

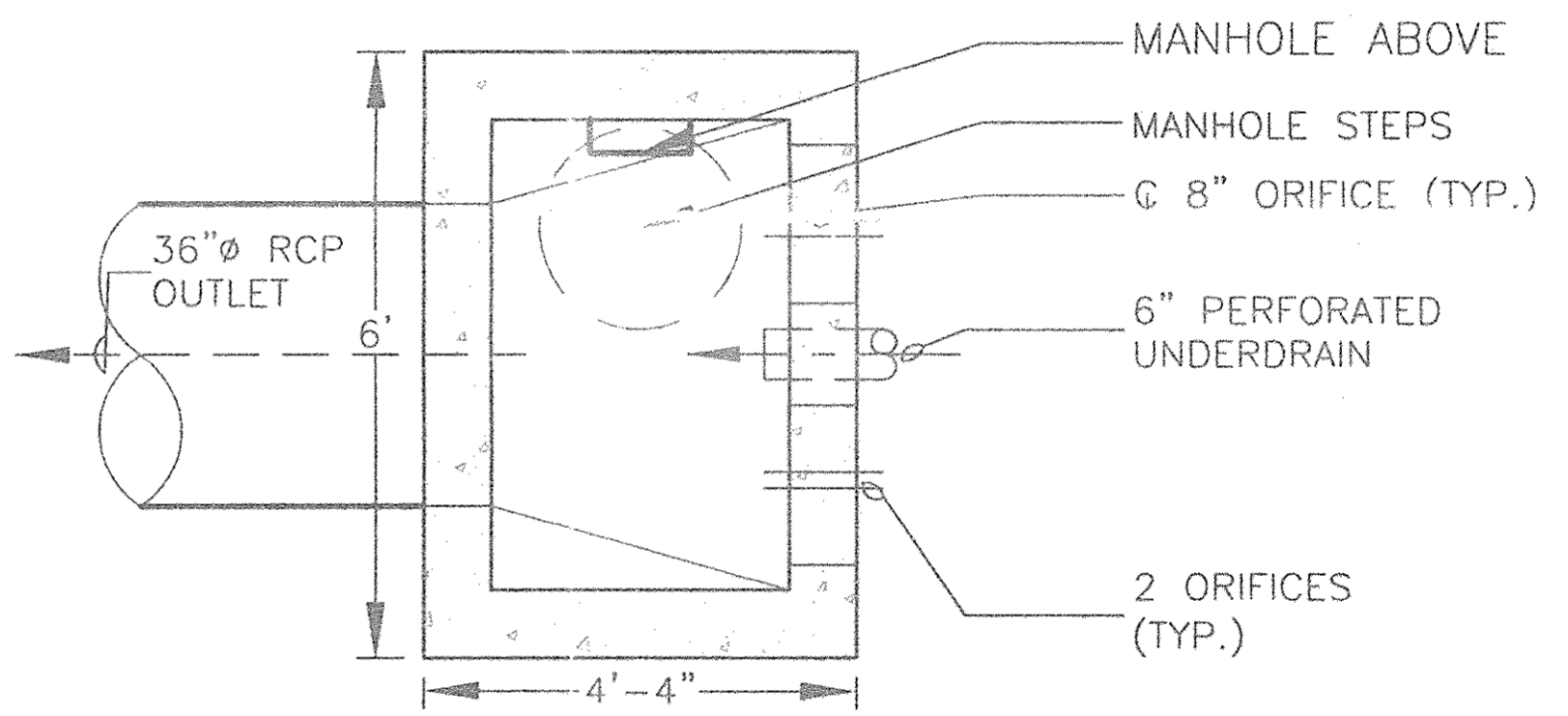
SCALE 1" = 50'

SANDY SOIL GRASSLAND SEED MIX - PLANT ON DRAINAGE SWALES & DETENTION POND FLOOR ONLY

Common Name	Botanical Name	Growth Form	Lbs. of PLS/Acre
Blue grama	Bouteloua gracilis	Bunching sod	0.5
Camper little bluestem	Schizachrium scoparium 'Camper'	Bunch	1.0
Prairie sandreed	Calamovilfa longifolia	Bunch	1.0
Sand dropseed	Sporobolus cryptandrus	Open sod	1.0
Vaughn sideoats grama	Bouteloua curtipendula 'Vaughn'	Sod	2.0
Arriba western wheatgrass	Agropyron smithii 'Arriba'	Sod	5.5
TOTAL			10.25

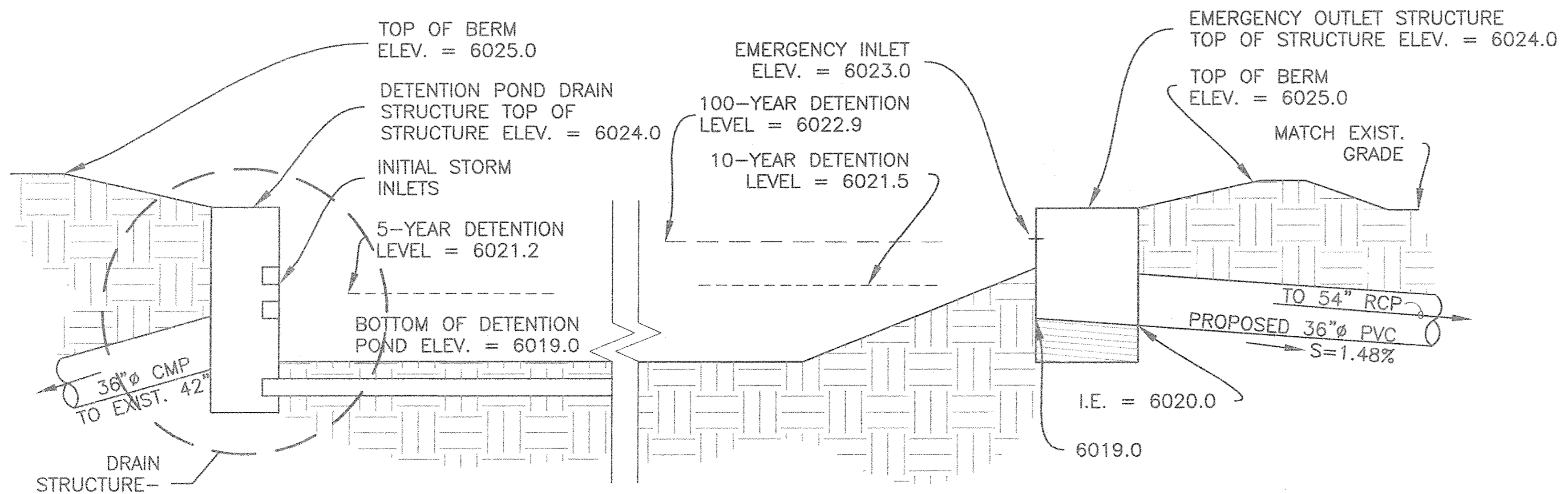
HEAVY CLAY, ROCKY FOOTHILL GRASSLAND SEED MIX - PLANT ON TOP OF BERM AND DETENTION WALLS ONLY

Common Name	Botanical Name	Growth Form	Lbs. of PLS/Acre
Ephraim crested wheatgrass	Agropyron cristatum 'Ephraim'	Sod	1.5
Oahe intermediate wheatgrass	Agropyron intermedium 'Oahe'	Sod	5.5
Vaughn sideoats grama	Bouteloua curtipendula 'Vaughn'	Sod	2.0
Lincoln smooth brome	Bromus inermis leysii 'Lincoln'	Sod	3.0
Arriba western wheatgrass	Agropyron smithii 'Arriba'	Sod	5.5
TOTAL			17.50



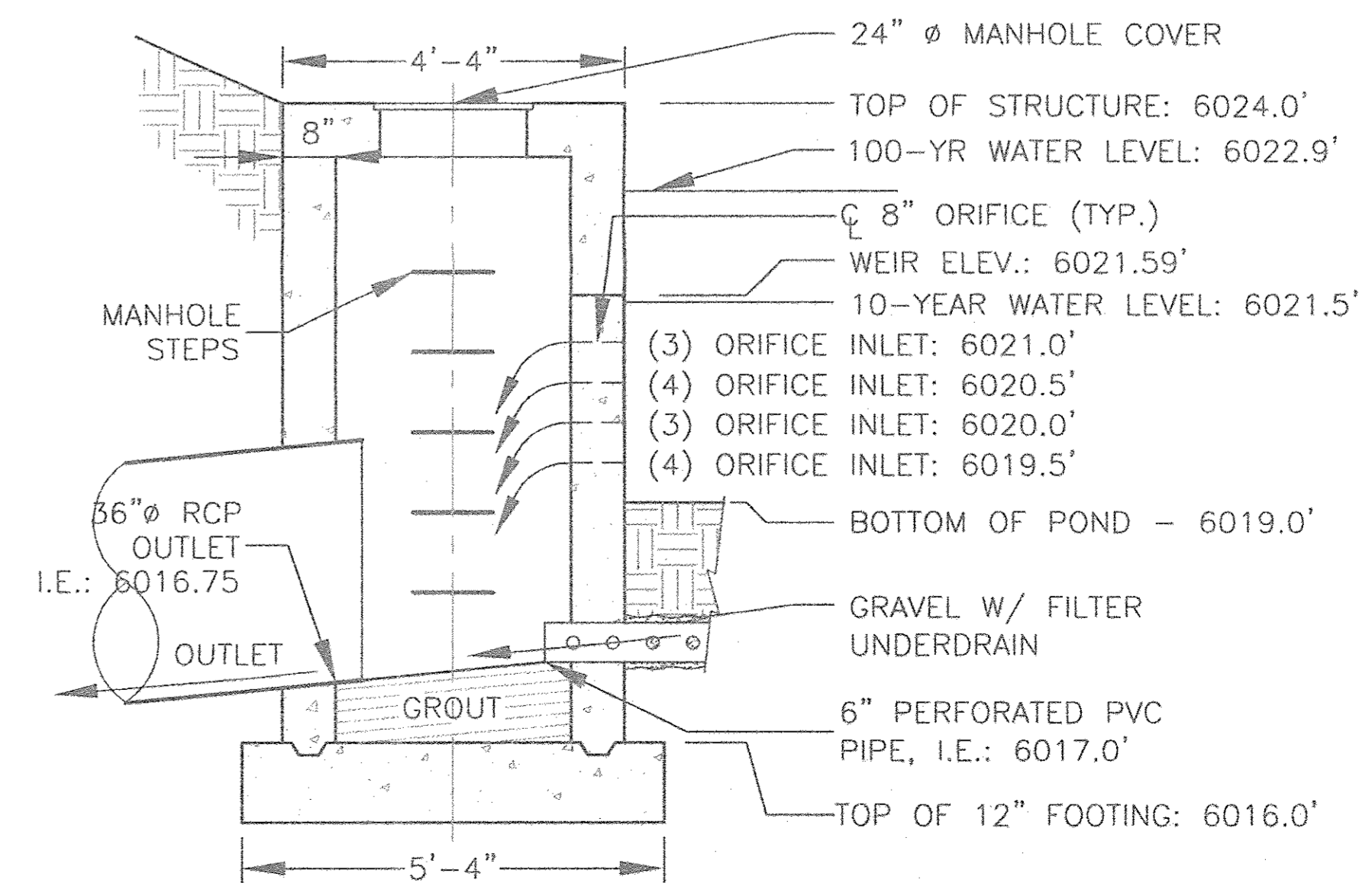
DETENTION POND DRAIN STRUCTURE - PLAN

SCALE: 1" = 2'



DETENTION POND PROFILE

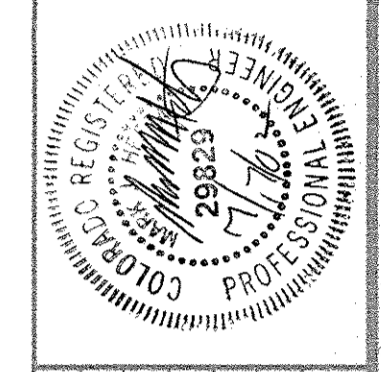
HORIZONTAL: 1" = 5' VERTICAL: 1" = 5'



DETENTION POND DRAIN STRUCTURE - SECTION

SCALE: 1" = 2'

ENGINEERS SURVEYORS PLANNERS
ACCURATE
© 2002
515 COURTNEY WAY, SUITE D
LAFAYETTE, COLORADO 80026
(303) 665-5505 FAX: (303) 665-5160
e-mail: erig@accurateplanning.net



No.	By	Date	Revisions

NAZARENE BIBLE COLLEGE
DETENTION POND PLAN
COLORADO SPRINGS, CO

Date of Dwg:	07/01/02
Drawn By:	PWR
Designed By:	MJH
Approved By:	TBC
Project No:	1NAZ0101.01
Scale:	VARIABLES
Horiz:	1" = 5'
Vert:	1" = 5'
Sheet	