

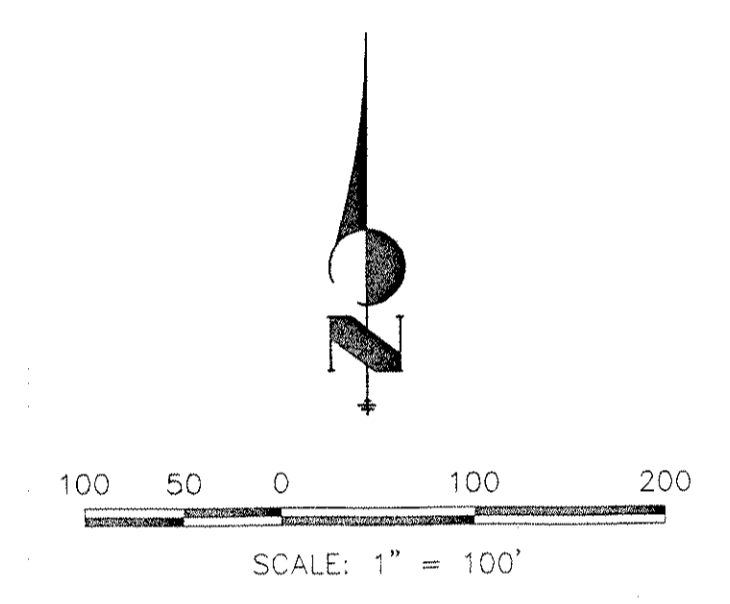
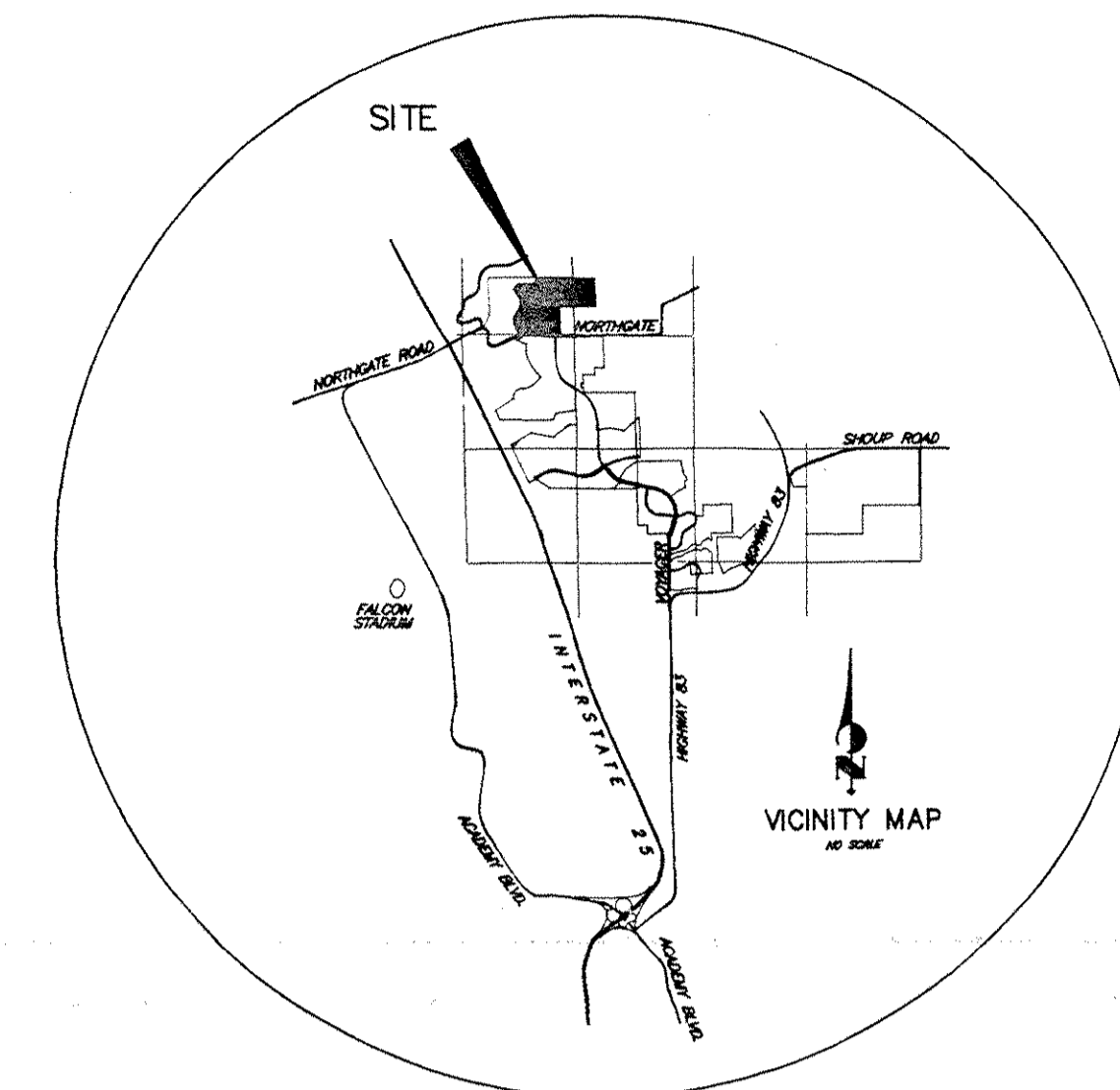
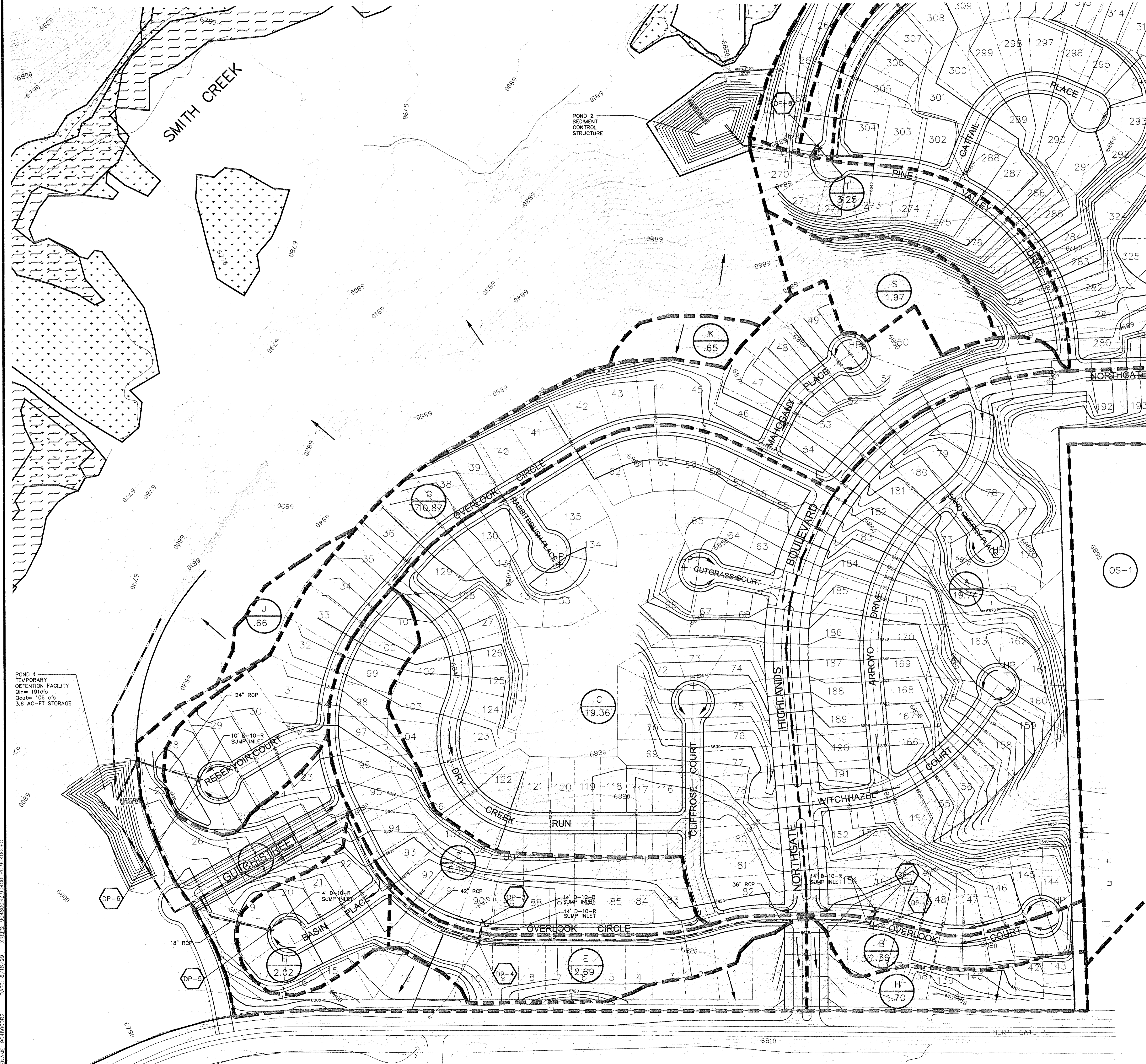
# NORTHGATE HIGHLANDS

## CITY OF COLORADO SPRINGS, COUNTY OF EL PASO, STATE OF COLORADO

### MASTER DRAINAGE DEVELOPMENT PLAN

#### ON-SITE BASINS

DECEMBER 1998- REVISED JUNE 1999



**LEGEND**

| DESCRIPTION                    | SYMBOL            |
|--------------------------------|-------------------|
| EXISTING GROUND CONTOUR        | 6910              |
| PROPOSED FINISHED CONTOUR      | 6910              |
| SUBDIVISION BOUNDARY           | ---               |
| LOT LINE                       | ---               |
| MINOR BASIN BOUNDARY           | ---               |
| MAJOR BASIN BOUNDARY           | ---               |
| DIRECTION OF DRAINAGE          | →                 |
| DIRECTION OF EXISTING DRAINAGE | →                 |
| BASIN IDENTIFIER               | (A) 10.1          |
| AREA IN ACRES                  | (DP-X)            |
| DESIGN POINT                   | DP-X              |
| PROPOSED CROSSSPAN             | ---               |
| EXISTING STORM SEWER           | ---               |
| EXISTING PAVEMENT              | ---               |
| PROPOSED STORM SEWER           | ---               |
| WETLANDS HATCH                 | [Hatched Pattern] |
| MOUSE HATCH                    | [Hatched Pattern] |

SEE SHEET 3 OF 3 FOR OFFSITE BASINS

\*UNPLATTED\* COUNTY LAND

Q<sub>5</sub> = 15  
Q<sub>100</sub> = 37

| BASIN SUMMARY |              |                |                |                  |                |                  |                      |                        |  |
|---------------|--------------|----------------|----------------|------------------|----------------|------------------|----------------------|------------------------|--|
| BASIN         | AREA (ACRES) | T <sub>c</sub> | C <sub>s</sub> | C <sub>100</sub> | I <sub>s</sub> | I <sub>100</sub> | Q <sub>5</sub> (CFS) | Q <sub>100</sub> (CFS) |  |
| A             | 19.74        | 17.0           | 0.50           | 0.60             | 3.1            | 5.4              | 30.6                 | 64.0                   |  |
| B             | 1.36         | 10.0           | 0.50           | 0.60             | 4.1            | 7.0              | 2.8                  | 5.7                    |  |
| C             | 19.36        | 17.3           | 0.40           | 0.55             | 3.2            | 5.6              | 24.8                 | 59.6                   |  |
| D             | 5.15         | 16.3           | 0.50           | 0.60             | 3.3            | 5.7              | 8.6                  | 17.6                   |  |
| E             | 2.69         | 12.7           | 0.50           | 0.60             | 3.7            | 6.3              | 5.0                  | 10.2                   |  |
| F             | 2.02         | 13.5           | 0.50           | 0.60             | 3.5            | 6.1              | 3.5                  | 7.4                    |  |
| G             | 10.87        | 19.6           | 0.50           | 0.60             | 2.9            | 5.1              | 15.8                 | 33.3                   |  |
| H             | 1.70         | 11.2           | 0.40           | 0.55             | 4.0            | 6.8              | 2.7                  | 6.4                    |  |
| I             | 5.03         | 10.2           | 0.50           | 0.60             | 4.1            | 7.0              | 10.3                 | 21.1                   |  |
| J             | .66          | 14.2           | 0.25           | 0.35             | 3.5            | 6.1              | 0.6                  | 1.4                    |  |
| K             | .65          | 8.0            | 0.25           | 0.35             | 4.5            | 7.8              | 0.7                  | 1.8                    |  |
| L             | 7.06         | 11.3           | 0.25           | 0.35             | 4.0            | 6.8              | 7.1                  | 16.8                   |  |
| M             | 19.47        | 15.7           | 0.50           | 0.60             | 3.3            | 5.7              | 32.1                 | 66.6                   |  |
| N             | 3.37         | 11.2           | 0.25           | 0.35             | 4.0            | 6.8              | 3.4                  | 8.0                    |  |
| O             | .82          | 9.2            | 0.25           | 0.35             | 4.3            | 7.4              | 0.9                  | 2.1                    |  |
| P             | 1.67         | 9.7            | 0.25           | 0.35             | 4.1            | 7.0              | 1.7                  | 4.1                    |  |
| Q             | 3.61         | 15.9           | 0.50           | 0.60             | 3.3            | 5.7              | 6.0                  | 12.4                   |  |
| R             | 17.59        | 18.7           | 0.50           | 0.60             | 3.0            | 5.3              | 26.14                | 55.9                   |  |
| S             | 1.97         | 9.4            | 0.25           | 0.35             | 4.2            | 7.2              | 2.1                  | 5.0                    |  |
| T             | 3.25         | 14.5           | 0.50           | 0.60             | 3.4            | 5.9              | 5.5                  | 11.5                   |  |
| U             | .60          | 7.2            | 0.25           | 0.35             | 4.8            | 8.2              | 0.7                  | 1.7                    |  |
| V             | 2.47         | 7.4            | 0.50           | 0.60             | 4.8            | 8.2              | 5.9                  | 12.2                   |  |

| DESIGN POINT SUMMARY |                      |                        |
|----------------------|----------------------|------------------------|
| DP DESIGN POINT      | Q <sub>5</sub> (CFS) | Q <sub>100</sub> (CFS) |
| 1                    | 40.5                 | 88.0                   |
| 2                    | 2.8                  | 5.7                    |
| 3                    | 29.9                 | 70.1                   |
| 4                    | 5.0                  | 10.2                   |
| 5                    | 3.5                  | 7.4                    |
| 6                    | 16.7                 | 35.6                   |
| 7                    | 39.9                 | 97.7                   |
| 8                    | 101.4                | 221.5                  |

48 HOURS BEFORE YOU DIG, CALL UTILITY LOCATORS 1-800-922-1987  
 CITY OF COLORADO SPRINGS DEPT. OF UTILITIES GAS, ELECTRIC, WATER AND WASTEWATER

**JR Engineering, Ltd.**  
 4955 North 30th Street  
 Colorado Springs, Colorado 80919  
 (719) 595-5598 • FAX (719) 538-6613

| NO. | DATE    | REVISION |
|-----|---------|----------|
| 1   | 5/21/99 |          |

| SCALE   | DATE     | DES. BY | CHK. BY | DRAWN BY |
|---------|----------|---------|---------|----------|
| 1"=100' | 12/21/98 | ABE     | BYE     | RAJ      |

NORTHGATE HIGHLANDS  
 MASTER DRAINAGE DEVELOPMENT PLAN  
 ON-SITE BASINS

SHEET 2 OF 3  
 JOB NO. 9048.00