



LEGEND

----- BASIN BOUNDARY

$\frac{2}{1.0}$ BASIN NUMBER
ACRES

\triangle DESIGN POINT

**SAND CREEK DRAINAGE
BASIN PLANNING STUDY
DISCHARGE DATA**

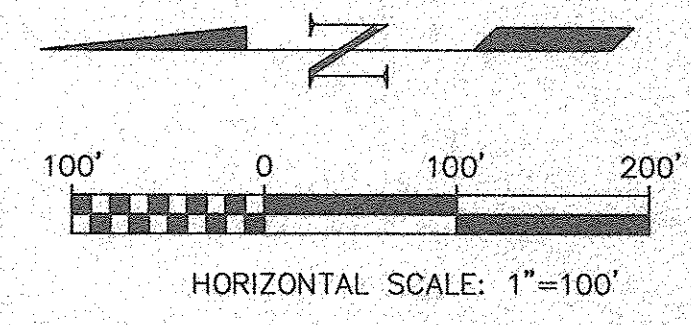
Q_{10} = 2330 cfs
 Q_{100} = 3620 cfs

SUMMARY OF SUB-BASIN DISCHARGES

SUB-BASIN	Q_5	Q_{10}
1	13.5	23.4
2	4.9	8.5
3	5.8	10.0
4	22.8	39.5
5	20.5	35.5
6	8.4	14.5
7	13.5	25.5

SUMMARY OF DESIGN POINT DISCHARGES

DESIGN POINT #	Q_5	Q_{100}
1	65.1	119.9
2	4.9	8.5
3	70.0	128.4
4	22.8	39.5
5	20.5	35.5
6	8.4	14.5
7	51.5	96.5



Kiowa Engineering Corporation
1011 North Weber Street, Suite 200
Colorado Springs, Colorado
80903
(719) 630-7342

**POWERS WEST PROPERTY
MASTER DEVELOPMENT DRAINAGE PLAN
PROPOSED HYDROLOGY MAP**

Project No.: 96.42
Date: 10/96
Design: RNW
Drawn: CAD
Check: RNW
Revisions:

Fig.2