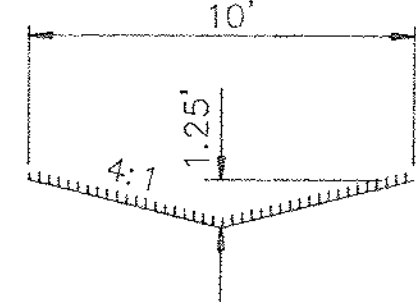
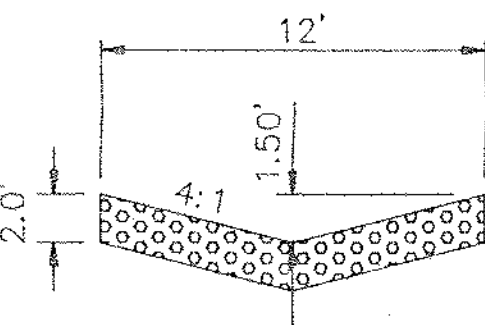


PIPE CAPACITY = 44.7 CFS
 $Q_5 = 10.3$ CFS
 $Q_{100} = 17.3$ CFS
 FLOWS OBTAINED FROM BRIDGEPORT SUB DRAINAGE REPORT REVISED JUNE 5, 1974, BY POLOK ENG., INC

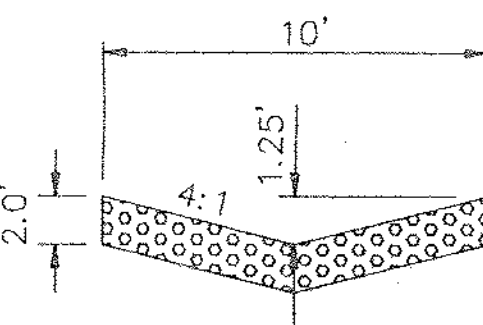
BRIDGEPORT SUB.



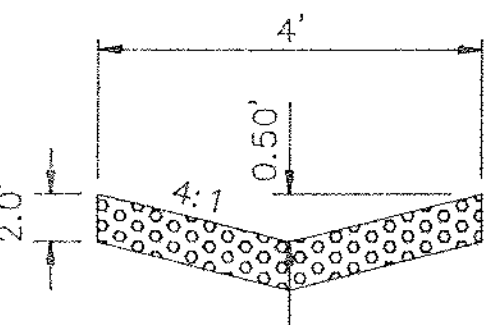
TYPICAL GRASS SWALE



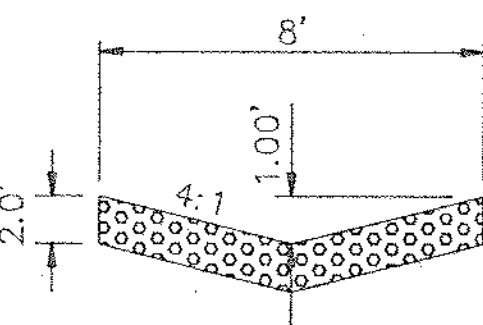
SECTION "A - A"



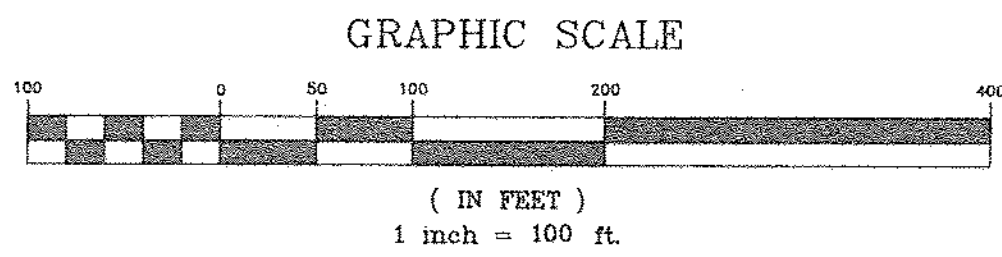
SECTION "B - B"



SECTION "C - C"



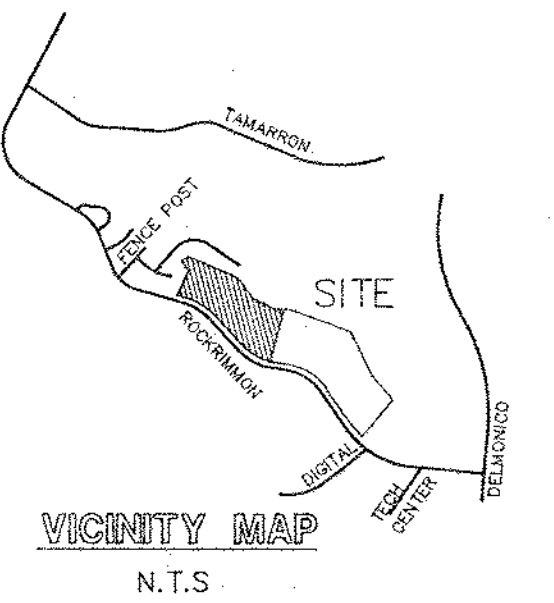
SECTION "D - D"



DESIGN POINT	DP - 1	14.4	AREA
5 YR FLOW	6.21	Ac.	28.9
			100 YR FLOW

5 YR FLOW	12.4	23.4
	123.23	AC
		BASIN

EXISTING CONTOUR INTERVAL = 10'
 FINISHED CONTOUR INTERVAL = 2'
 NEW UNDERWALK 6" PVC DRAIN PIPE



VICINITY MAP N.T.S.

SHEET TITLE	DRAINAGE PLAN		DRAWING NO. DRG-FIL2	PREPARED BY Leigh Whitehead & Associates, Inc. Engineers, Surveyors & Planners
	PROJECT ROCKRIMMON VISTA FIL. NO. 2 ROCKRIMMON VISTA M.D.P.			
PROJECT	DATE 1-3-96		DRAWN BY LB	2720 East Yampa Street, Suite 1 Colorado Springs, CO 80909 Phone (719) 636-5179 Fax (719) 636-5199
	CHECKED BY DW			
			SHEET 1 OF 1	