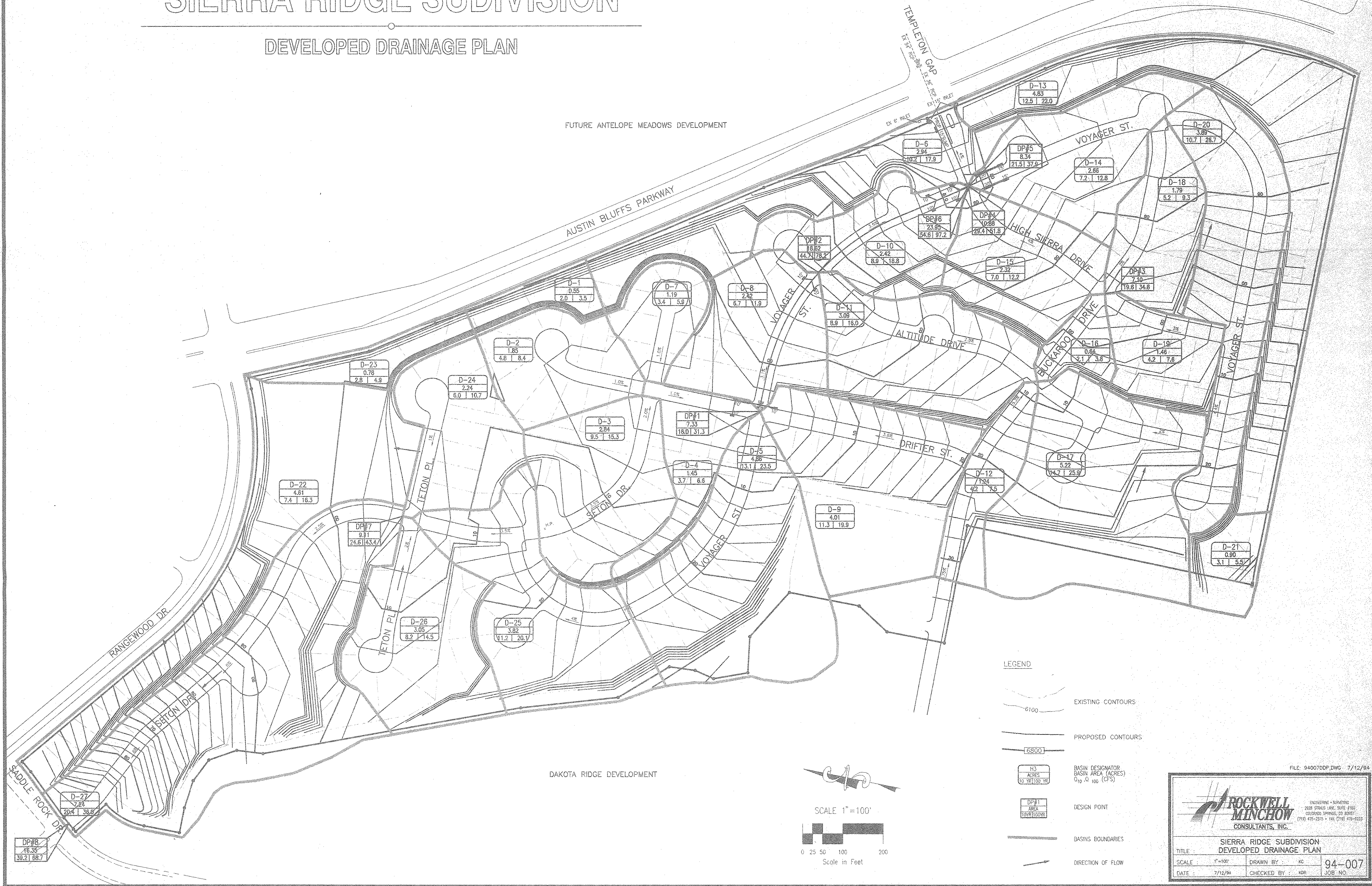


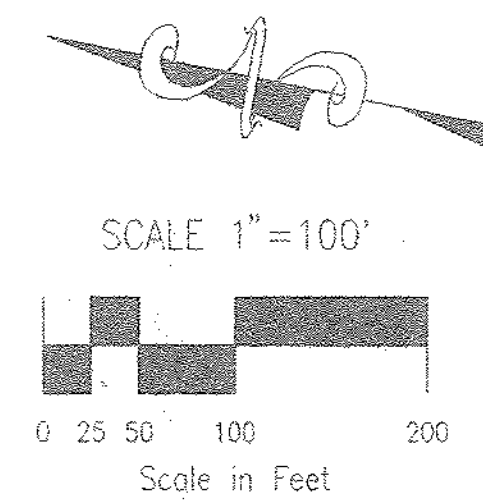
SIERRA RIDGE SUBDIVISION

DEVELOPED DRAINAGE PLAN




LEGEND

- EXISTING CONTOURS
- PROPOSED CONTOURS
- H3 BASIN DESIGNATOR, BASIN AREA (ACRES), Q₁₀, Q₁₀₀ (CFS)
- DESIGN POINT
- BASINS BOUNDARIES
- DIRECTION OF FLOW



FILE: 94007DDP.DWG 7/12/94



ROCKWELL MINCHOW
CONSULTANTS, INC.

ENGINEERING & SURVEYING
2228 STRAUS LANE, SUITE #100
COLORADO SPRINGS, CO 80907
(719) 475-2575 • FAX (719) 478-2123

**SIERRA RIDGE SUBDIVISION
DEVELOPED DRAINAGE PLAN**

TITLE: _____
SCALE: 1"=100' DRAWN BY: KC JOB NO: 94-007
DATE: 7/12/94 CHECKED BY: KDR