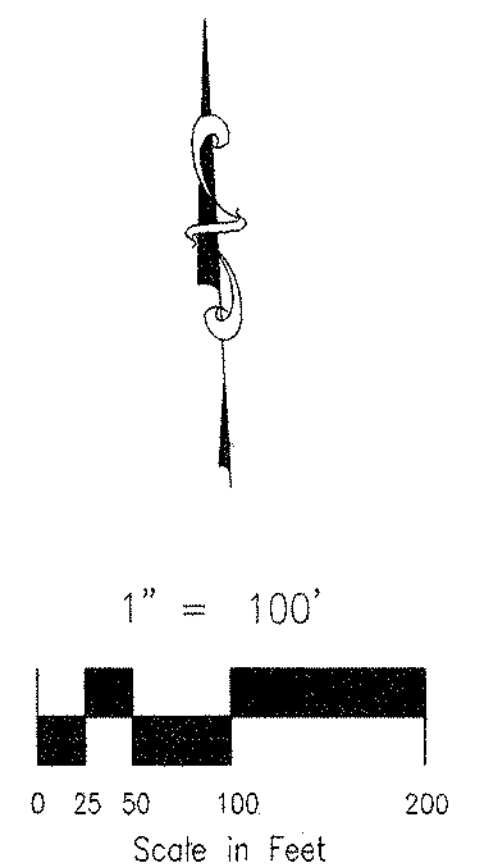


Vicinity Map
NOT TO SCALE



NOTES:
1. THIS IS A CONCEPT DRAINAGE PLAN ONLY - NOT TO BE USED FOR CONSTRUCTION.

LEGEND

- - - - - EXISTING 2' CONTOUR
- - - - - EXISTING 10' CONTOUR
- - - - - PROPOSED 2' CONTOUR
- - - - - PROPOSED 10' CONTOUR
- DIRECTION OF FLOW
- ▭ DRAINAGE BASIN

DEVELOPED DRAINAGE BASIN TABLE

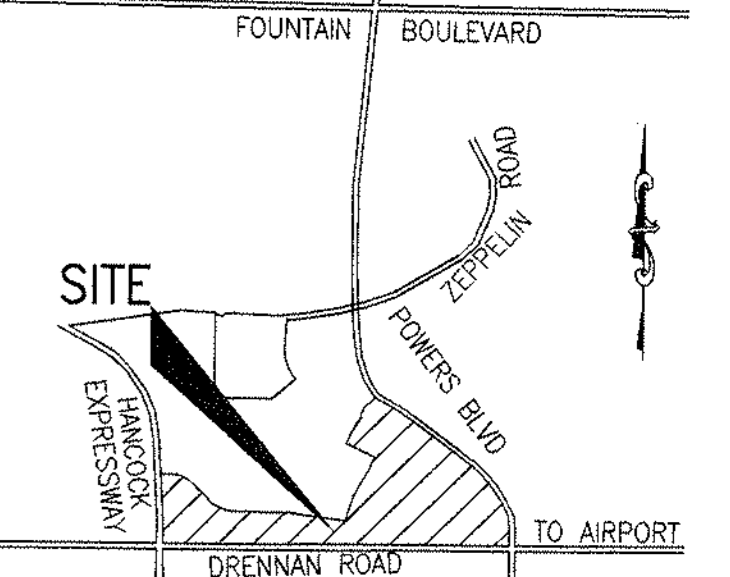
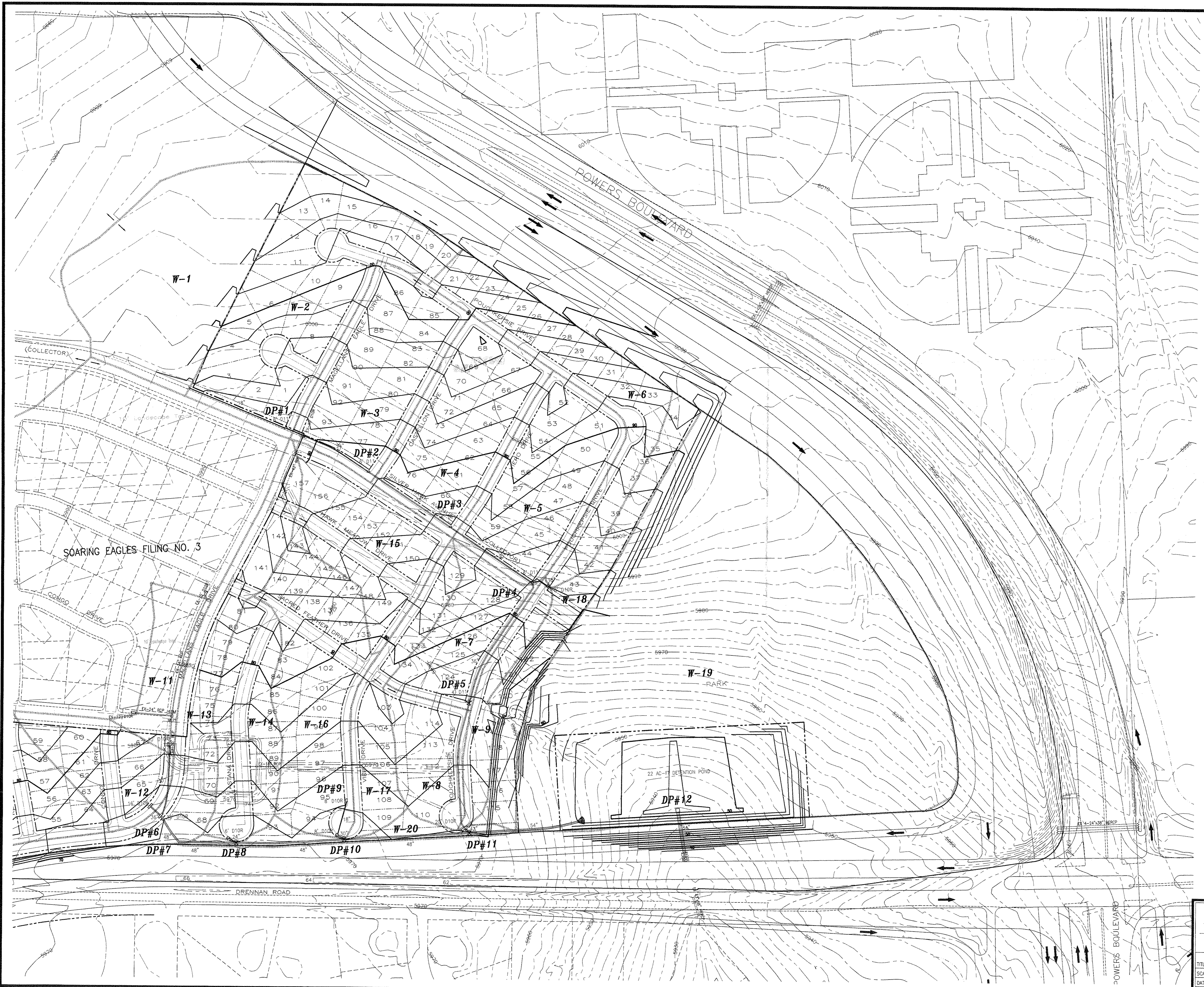
BASIN	AREA (Ac.)	C _p	Q ₁₀₀ (CFS)	Q ₁₀₀ (MGD)
LJ-1	1.3	3.3	6.5	
LJ-2	1.5	3.6	7.2	
LJ-3	4.5	9.7	19.5	
LJ-4	50.0	99.0	199.5	
W-1	8.3	19.8	36.3	
W-2	11.4	28.2	50.0	
W-3	3.8	8.9	17.8	
W-4	3.8	9.1	18.3	
W-5	3.8	9.1	18.3	
W-6	3.8	8.0	15.9	
W-7	2.1	5.0	10.1	
W-8	1.7	4.0	8.1	
W-9	1.2	3.0	6.0	
W-10	4.3	9.8	19.6	
W-11	1.4	3.3	6.6	
W-12	2.2	5.1	10.5	
W-13	3.7	8.2	16.3	
W-14	2.6	6.7	13.6	
W-15	3.1	7.4	14.7	
W-16	4.4	9.6	19.4	
W-17	2.0	5.0	10.1	
W-18	2.6	6.1	12.4	
W-19	23.5	58.3	115.3	
W-20	0.8	2.5	5.0	
DP-1	12.5	30.1	59.1	
DP-2	16.3	38.1	73.8	
DP-3	20.1	45.0	88.0	
DP-4	27.5	60.6	116.8	
DP-5	29.6	63.4	123.6	
DP-6	24.2	48.5	93.2	
DP-7	27.9	53.6	107.4	
DP-8	30.5	58.7	115.3	
DP-9	7.5	18.2	37.5	
DP-10	36.0	70.7	141.0	
DP-11	70.3	179.0	360.3	
DP-12	96.9	197.7	395.1	
DP-13	57.3	113.4	228.6	

ROCKWELL MINCHOW
CONSULTANTS, INC.

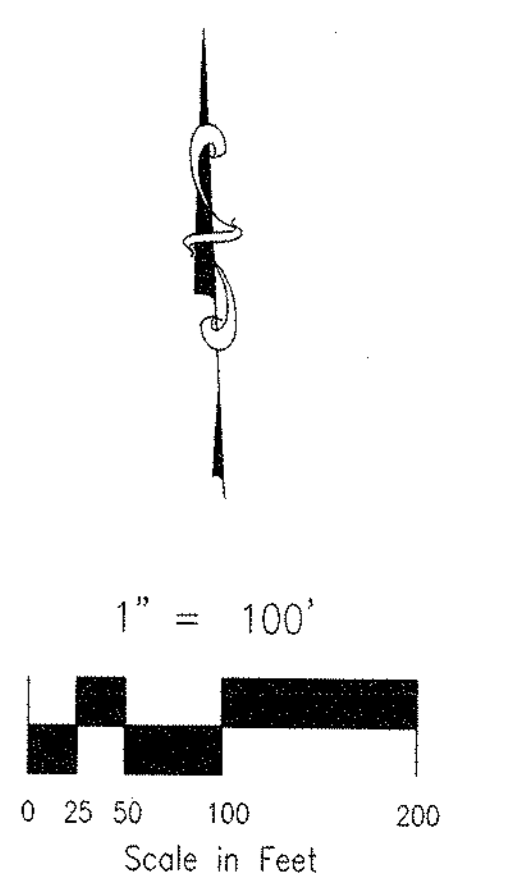
ENGINEERING • SURVEYING
1873 AUSTIN BLUFFS PARKWAY
COLORADO SPRINGS, CO 80918
(719) 435-2575 • FAX (719) 435-2233

TITLE: SOARING EAGLES II - RESIDENTIAL DEVELOPED DRAINAGE PLAN
SCALE: 1"=100' DRAWN BY: FRC
DATE: 9/26/02 CHECKED BY: DM

101-076
JOB NO.



Vicinity Map
NOT TO SCALE



NOTES
1. THIS IS A CONCEPT DRAINAGE PLAN ONLY - NOT TO BE USED FOR CONSTRUCTION.

LEGEND

- EXISTING 2' CONTOUR
- EXISTING 10' CONTOUR
- PROPOSED 2' CONTOUR
- PROPOSED 10' CONTOUR
- DIRECTION OF FLOW
- DRAINAGE BASIN

DEVELOPED DRAINAGE BASIN TABLE

BASIN	AREA (Ac.)	C_p (CFS)	C_{100} (CFS)
W-1	6.3	19.8	36.3
W-2	6.2	13.4	26.9
W-3	3.8	9.9	17.8
W-4	3.8	9.1	18.3
W-5	3.6	8.0	15.9
W-6	2.7	4.0	8.1
W-7	1.2	3.0	6.0
W-8	4.3	9.5	19.5
W-9	1.4	3.3	6.6
W-10	2.2	5.1	10.5
W-11	3.7	8.2	16.3
W-12	2.6	6.1	12.4
W-13	3.1	7.2	14.7
W-14	4.4	9.8	19.4
W-15	2.0	5.0	10.1
W-16	2.6	6.0	12.4
W-17	2.3	5.5	11.1
W-18	2.8	6.8	13.6
W-19	2.3	5.5	11.1
W-20	0.8	2.5	5.0
DP-1	12.5	30.1	58.1
DP-2	16.3	38.1	73.5
DP-3	20.1	45.0	85.0
DP-4	27.3	60.6	115.9
DP-5	29.8	63.4	123.6
DP-6	24.2	46.5	93.2
DP-7	27.9	53.5	107.4
DP-8	30.9	56.7	115.3
DP-9	7.5	16.2	32.5
DP-10	38.9	70.7	141.0
DP-11	70.5	129.0	250.3
DP-12	96.9	138.7	305.1
DP-13	57.3	113.4	228.6

ROCKWELL MINCHOW
CONSULTANTS, INC.

ENGINEERING • SURVEYING
1675 ACORN BLVD PARKWAY
COLUMBUS, OHIO 43260
(714) 475-2535 • FAX (714) 475-8223

TITLE: SOARING EAGLES II - RESIDENTIAL DEVELOPED DRAINAGE PLAN
SCALE: 1"=100' DRAWN BY: FRC
DATE: 9/26/02 CHECKED BY: DM JOB NO. 01-076