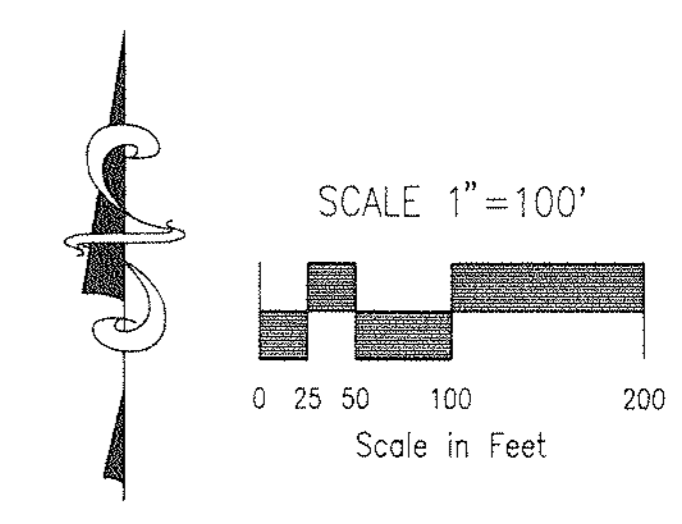
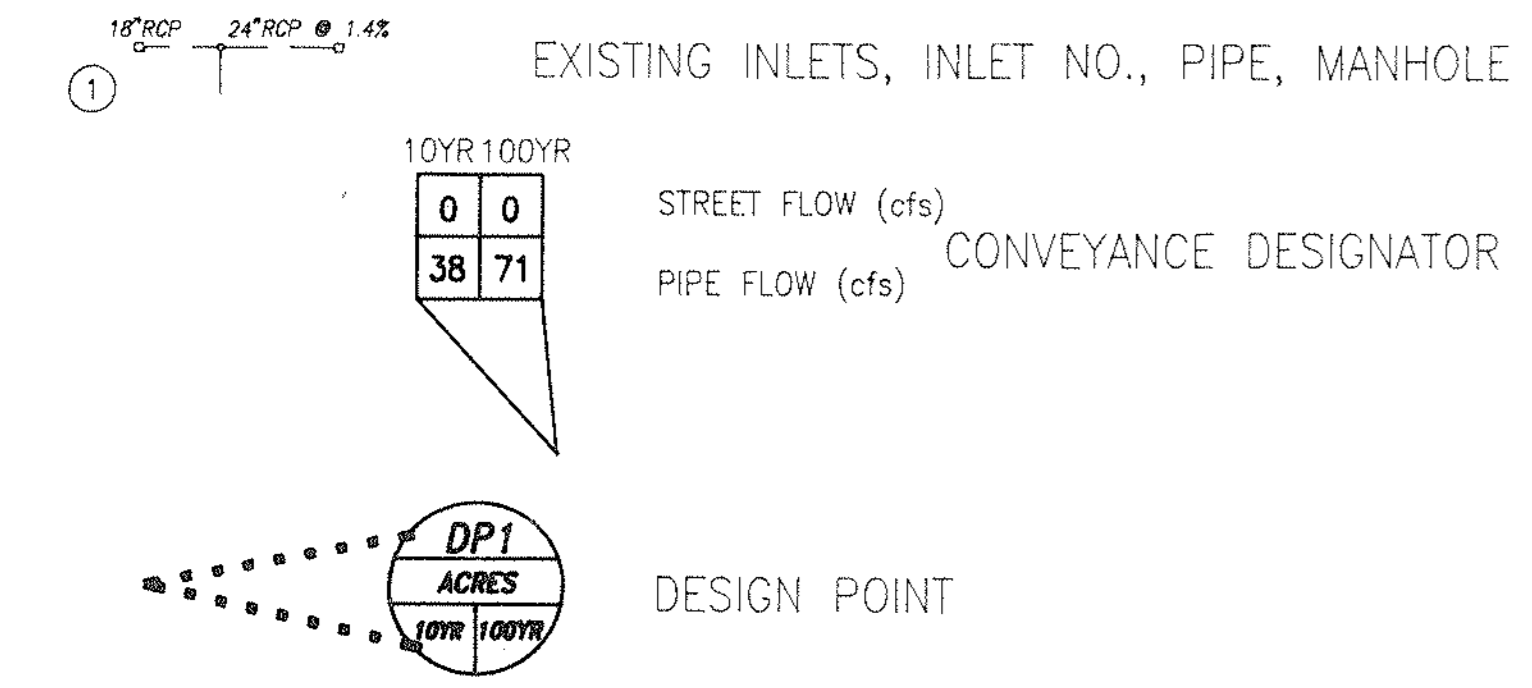
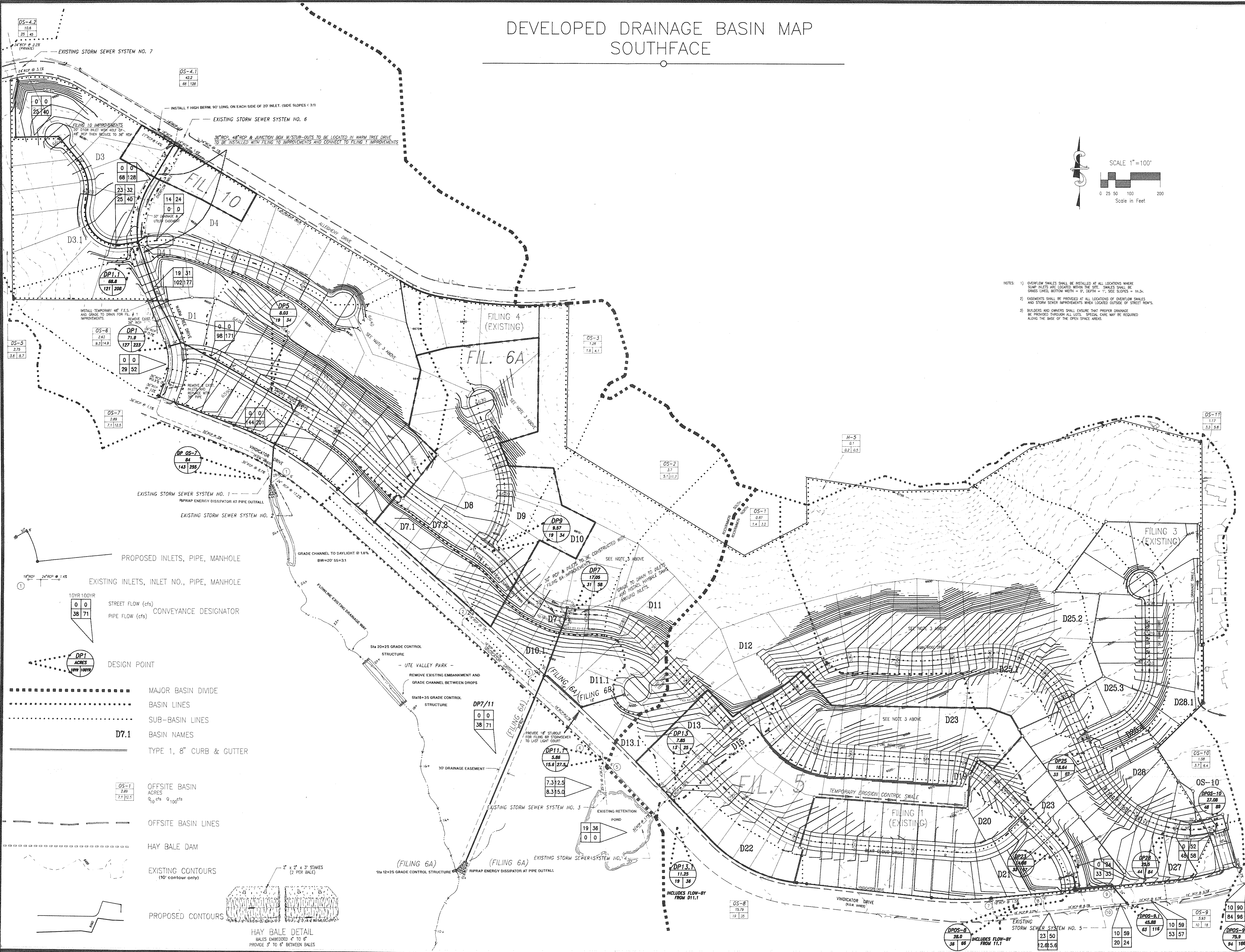


DEVELOPED DRAINAGE BASIN MAP SOUTHFACE



- NOTES:
- 1) OVERFLOW SWALES SHALL BE INSTALLED AT ALL LOCATIONS WHERE SWAMP INLETS ARE LOCATED WITHIN THE SITE. SWALES SHALL BE GRASS LINED, BOTTOM WIDTH = 0', DEPTH = 1', SIDE SLOPES = 1H:3V.
 - 2) BASINMENTS SHALL BE PROVIDED AT ALL LOCATIONS OF OVERFLOW SWALES AND STORM SEWER IMPROVEMENTS WHEN LOCATED OUTSIDE OF STREET ROWS.
 - 3) BUILDERS AND OWNERS SHALL ENSURE THAT PROPER DRAINAGE BE PROVIDED THROUGH ALL LOTS. SPECIAL CARE WILL BE REQUIRED ALONG THE BASE OF THE CREEK SPACE AREAS.



- MAJOR BASIN DIVIDE
- BASIN LINES
- SUB-BASIN LINES
- D7.1 BASIN NAMES
- TYPE 1, 8" CURB & GUTTER
- OFFSITE BASIN LINES
- HAY BALE DAM
- EXISTING CONTOURS (10' contour only)
- PROPOSED CONTOURS

