

Monument Creek

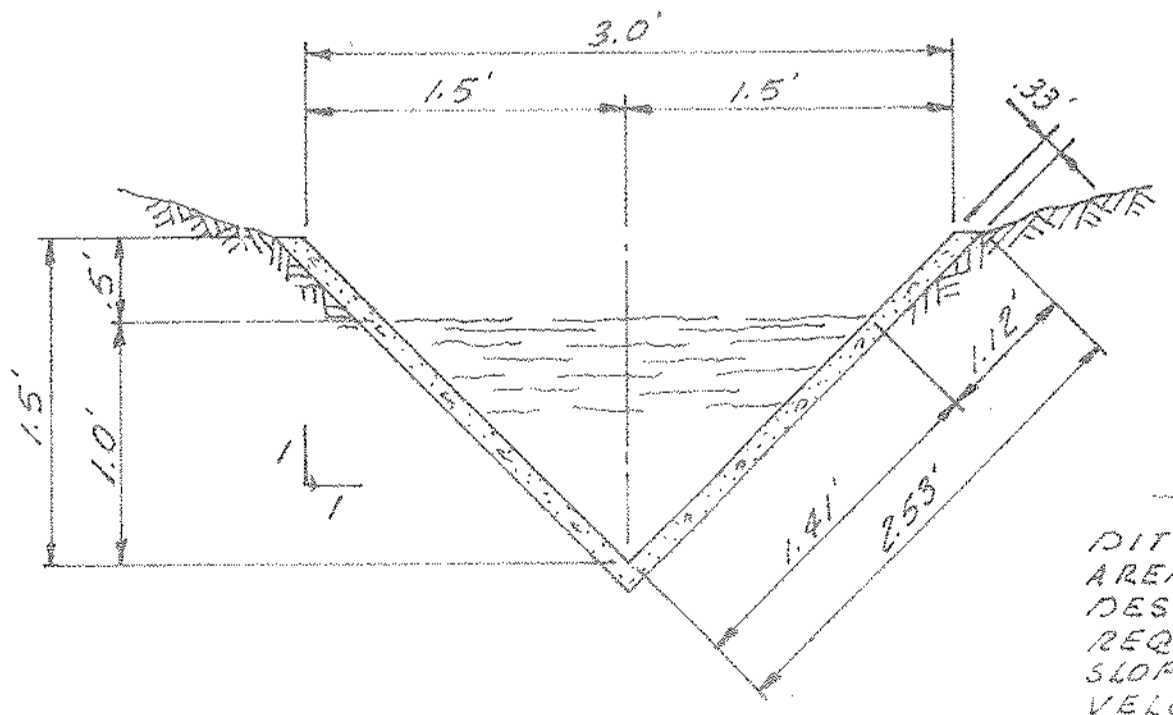
Van Buren Ditch

City Standard
Type Cross Pen

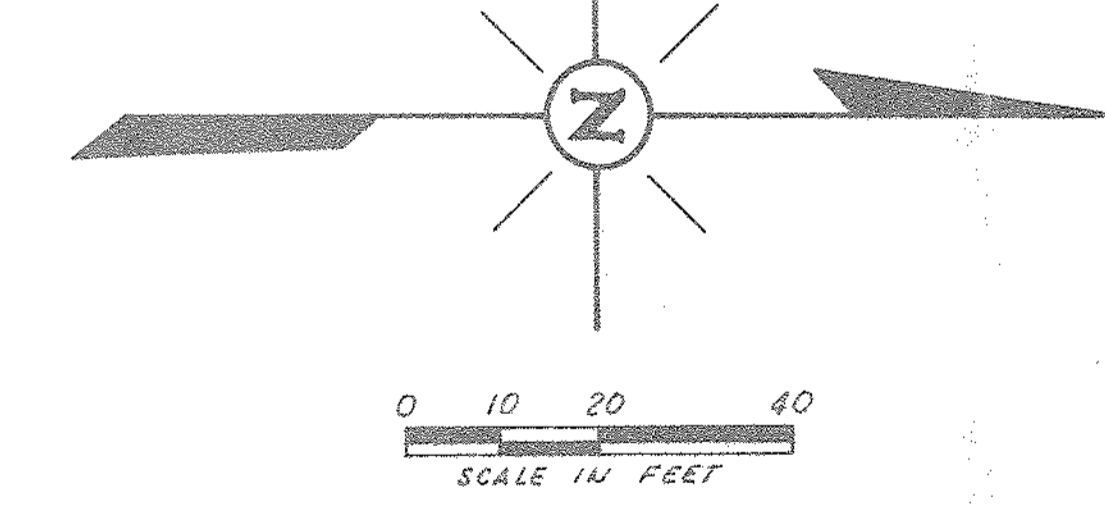
Van Buren
Street

Tremont
Street

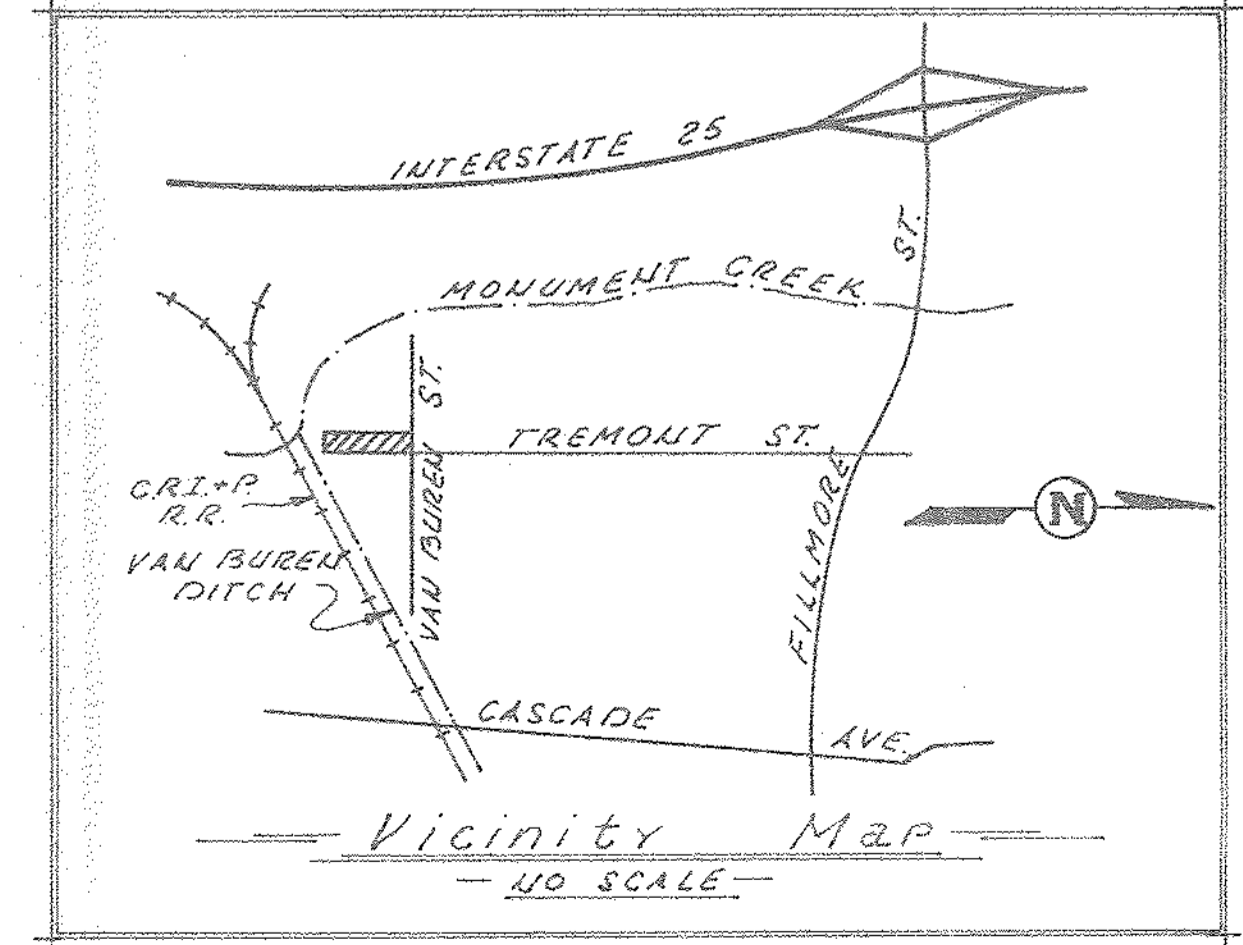
Street



Data
 DITCH TYPE — CONCRETE "V"
 AREA OF SECTION — 1 SQ. FT.
 DESIGN CFS. — 450 CFS
 REQ'D CFS. — 338 CFS
 SLOPE — 1.7%
 VELOCITY DESIGN — 450 FPS.



DRAINAGE PLAN



— SPRING GROVE APTS. —		
— John W Heard : Owner —		
SCALE AS NOTED	APPROVED BY:	DRAWN BY B. H.
DATE: 8/21/72		REVISED
Peak Engineering Co. Colorado Springs, Colo.		DRAWING NUMBER
Drainage Plan		72-112

File No 72-112