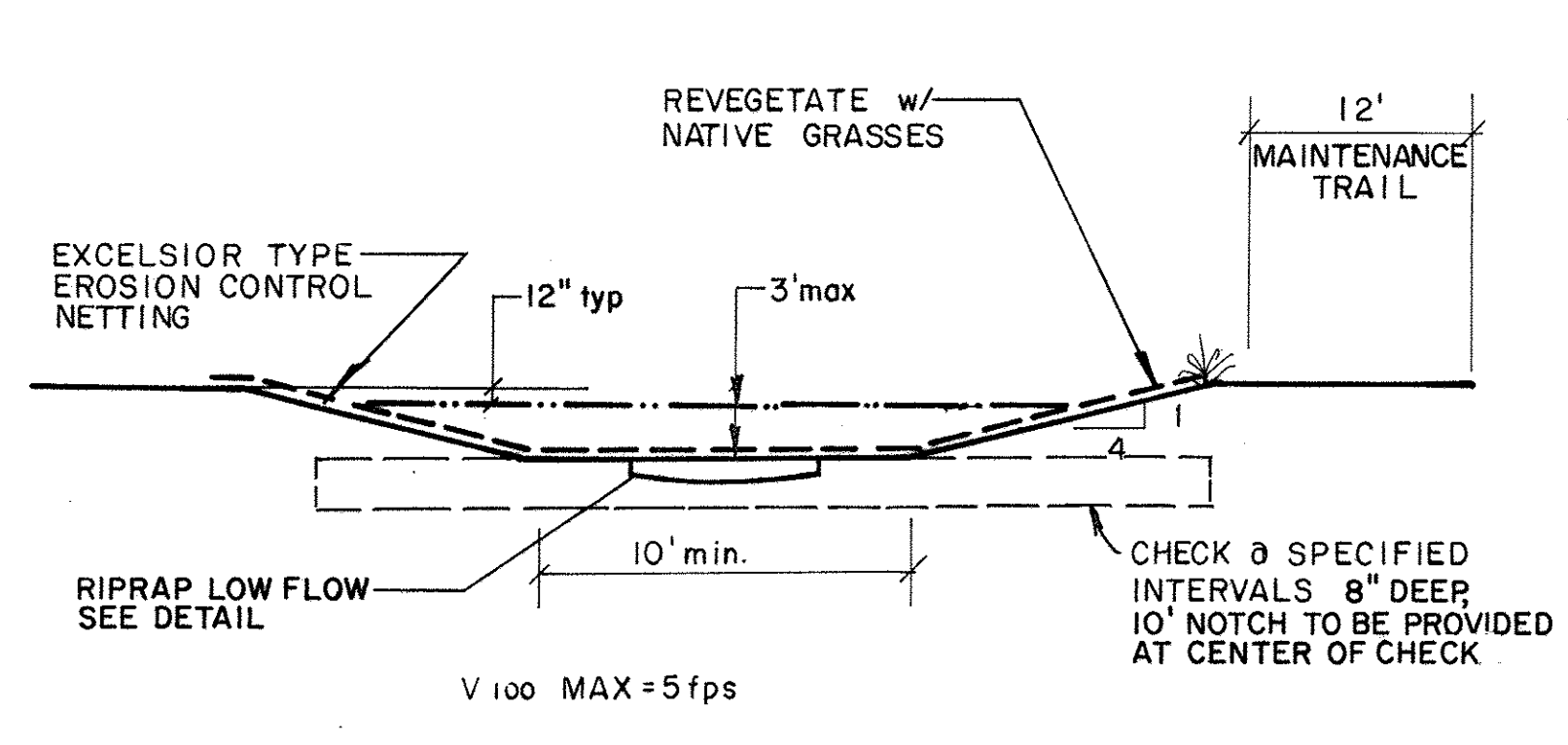
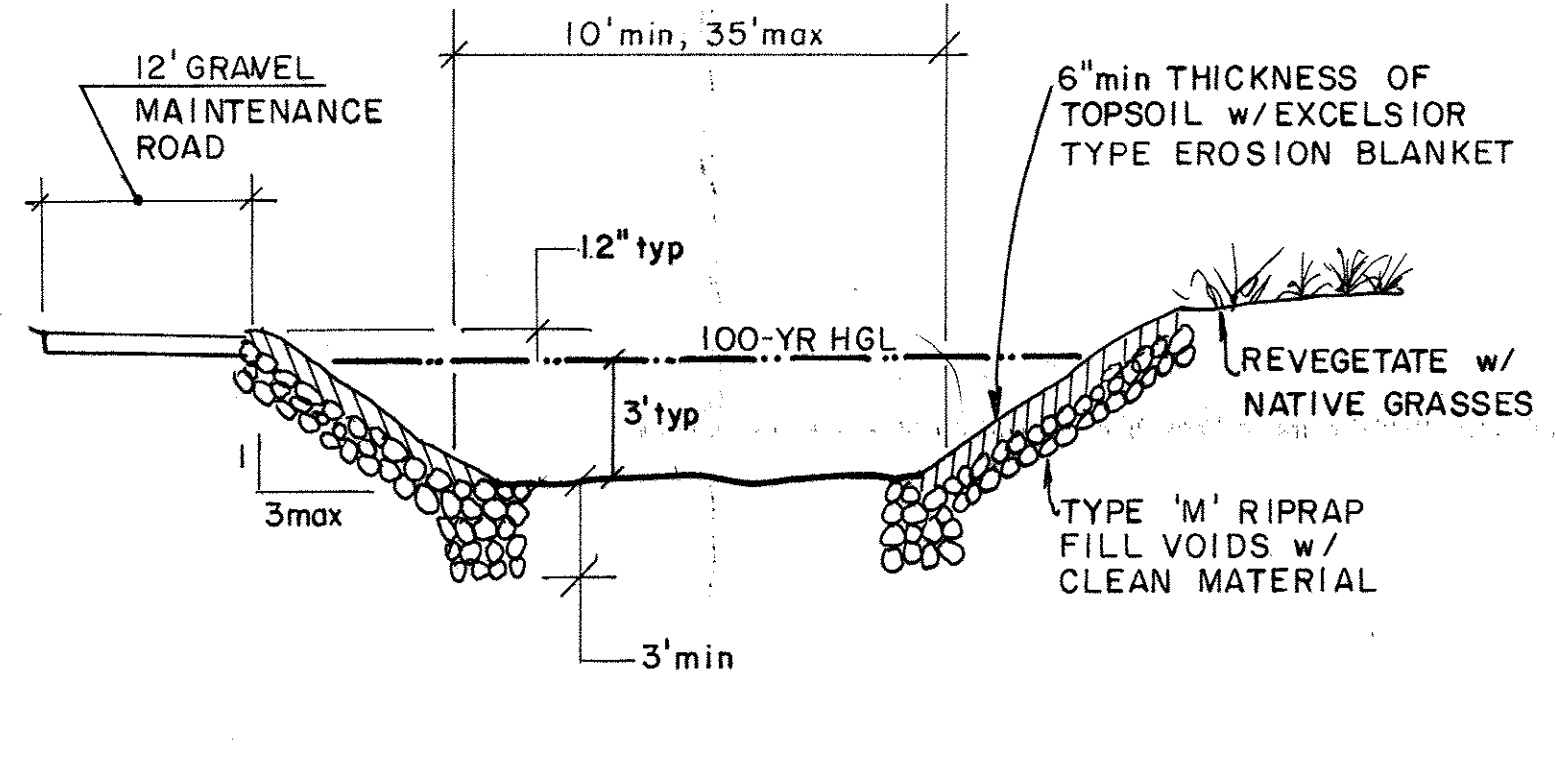




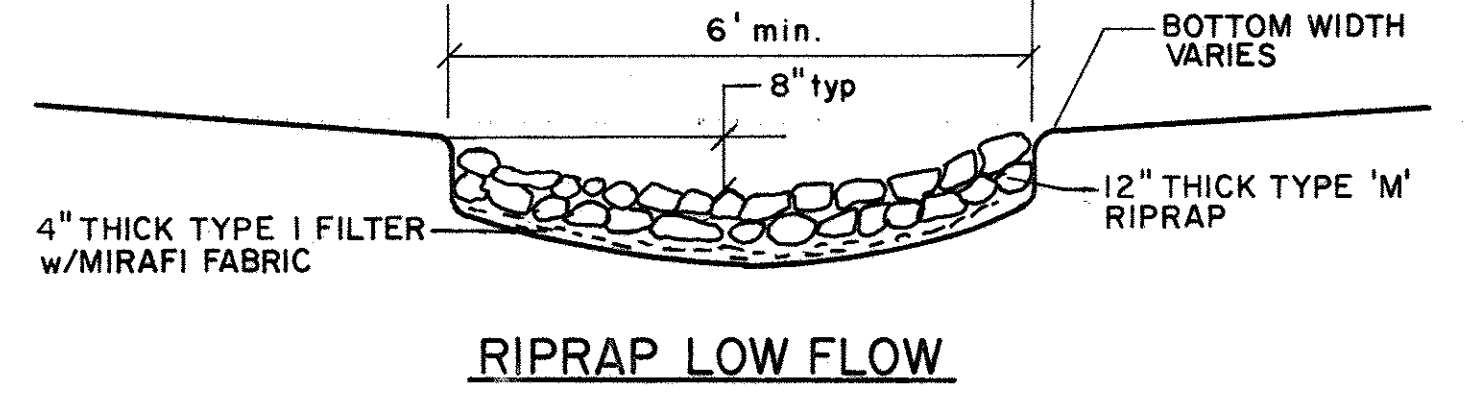
- LEGEND**
- GRASS-LINED OR RIPRAP COLLECTOR CHANNEL w/ OUTLET STRUCTURE
 - BASIN DIVIDE
 - LOCAL DETENTION BASIN



TYPICAL GRASS-LINED COLLECTOR CHANNEL SECTION



TYPICAL RIPRAP LINED COLLECTOR CHANNEL



RIPRAP LOW FLOW

**EXHIBIT 2
EXISTING AND PROPOSED IMPROVEMENTS
COLORADO SPRINGS RANCH
MASTER DEVELOPMENT DRAINAGE
PLAN UPDATE**

