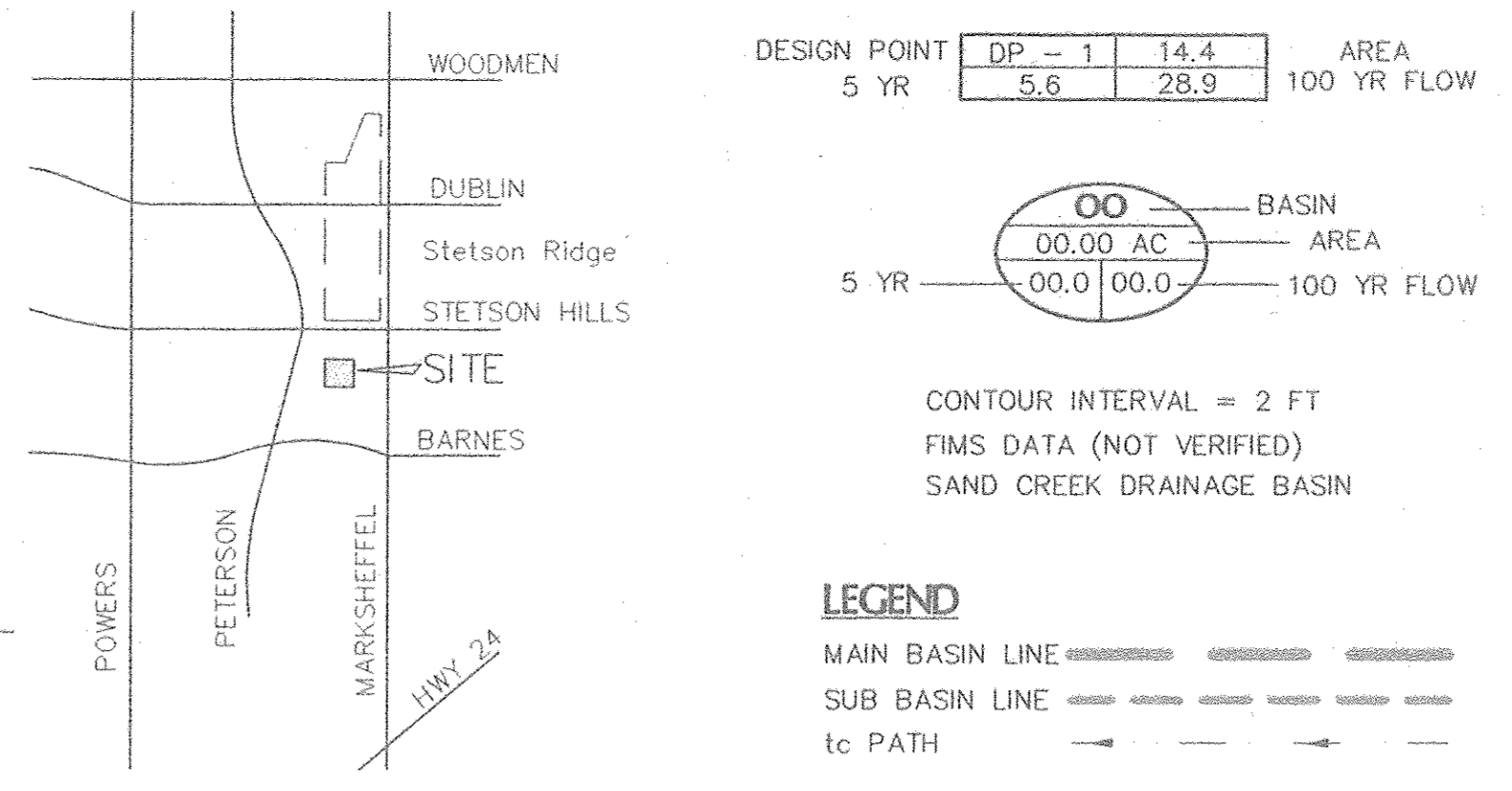
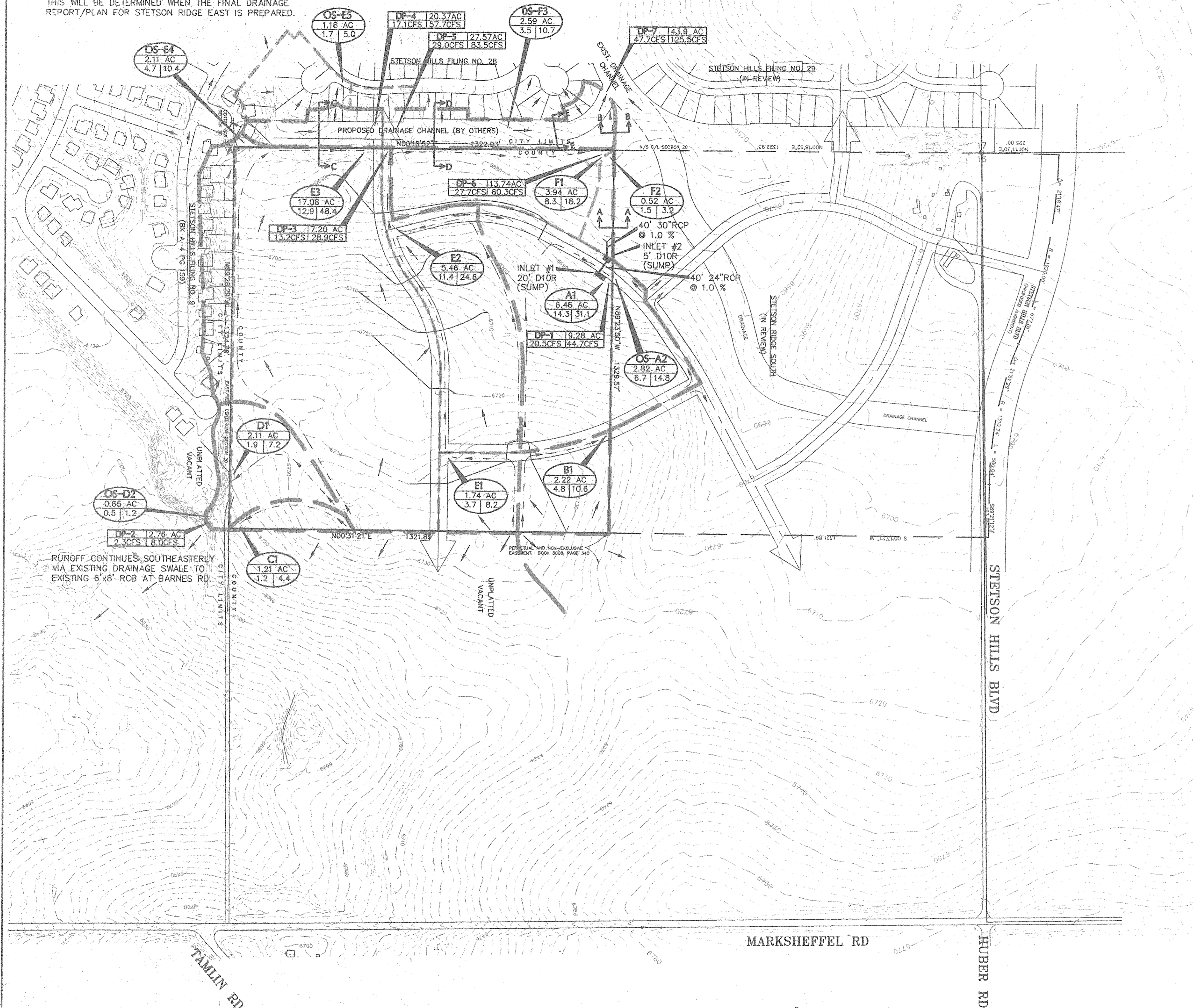


WHEN STETSON RIDGE EAST DEVELOPS, IF THE DRAINAGE CHANNEL IS NOT CONSTRUCTED, THE CHANNEL SHALL BE BUILT IN CONJUNCTION WITH THE DEVELOPMENT OF STETSON RIDGE EAST. THIS WILL BE DETERMINED WHEN THE FINAL DRAINAGE REPORT/PLAN FOR STETSON RIDGE EAST IS PREPARED.



DESIGN POINT

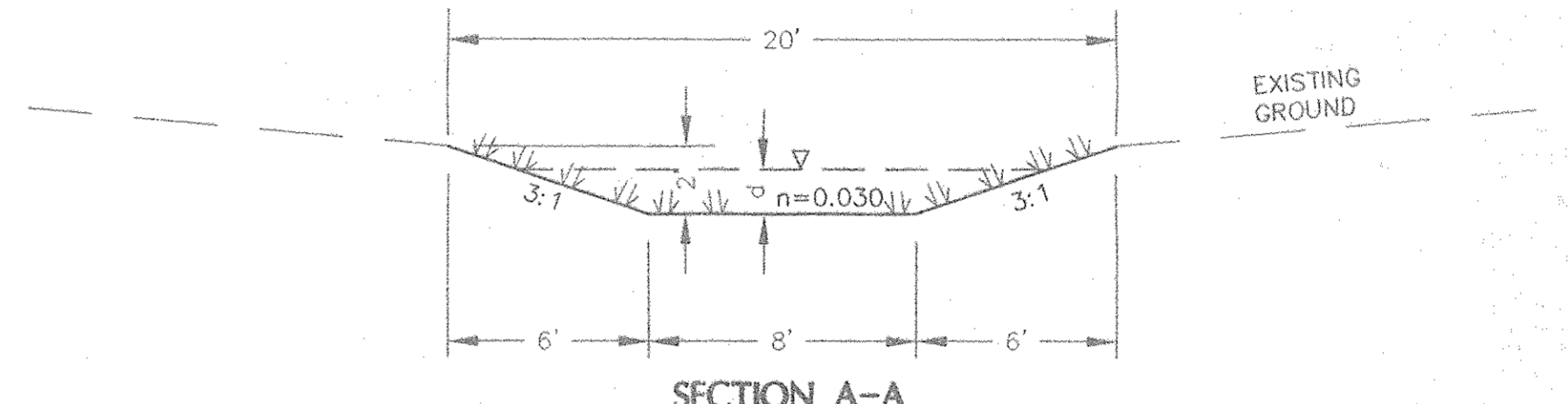
DP - 1	14.4	AREA
5 YR	5.6	100 YR FLOW

5 YR

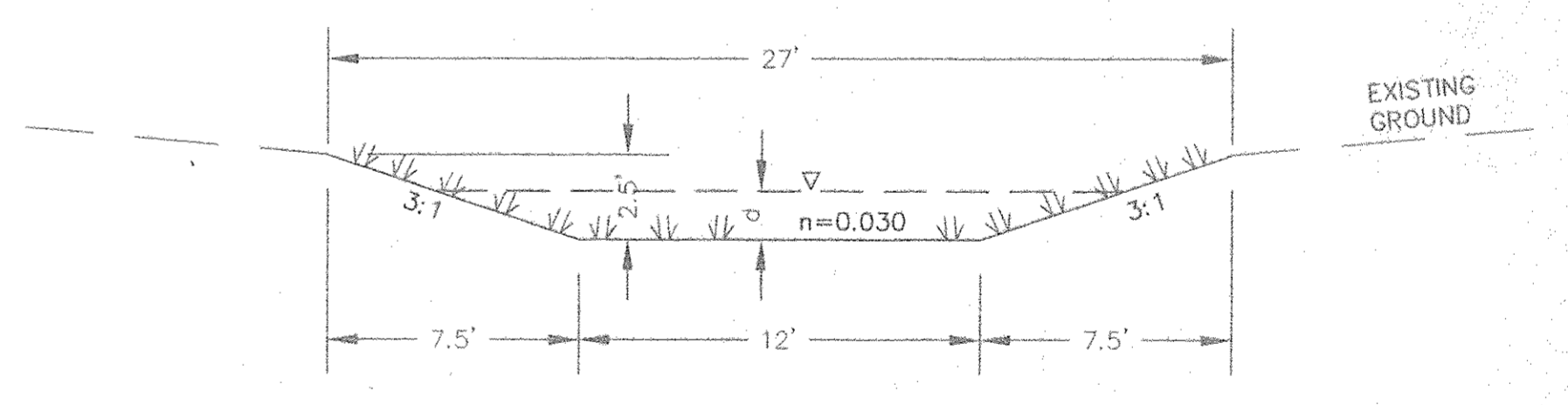
00.00 AC	BASIN
00.0	AREA
00.0	100 YR FLOW

CONTOUR INTERVAL = 2 FT
FIMS DATA (NOT VERIFIED)
SAND CREEK DRAINAGE BASIN

LEGEND
MAIN BASIN LINE
SUB BASIN LINE
to PATH



SECTION A-A
MAINTAINED GRASS SWALE
Q = 45.0 CFS (100 YR)
S = 3.94%
d = 0.68'
V = 6.6 FPS



SECTION B-B
MAINTAINED GRASS SWALE
Q = 61.0 CFS (100 YR)
S = 4.62%
d = 0.77'
V = 7.7 FPS

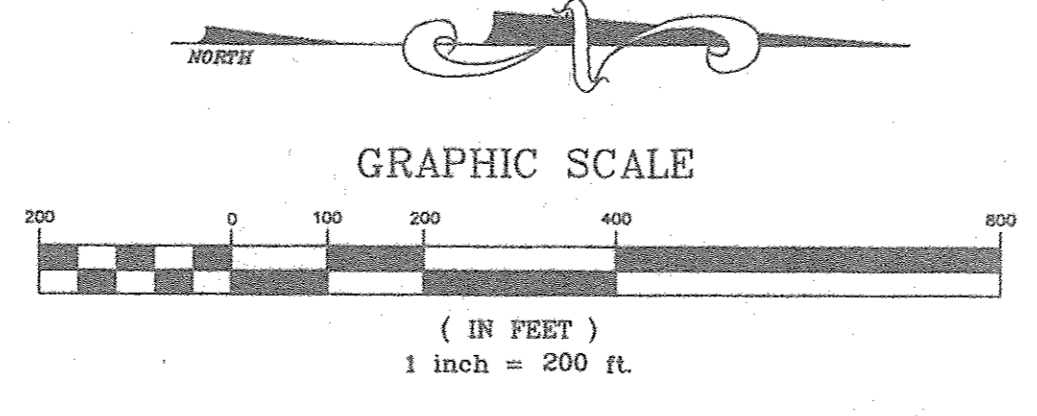
SECTION C-C
MAINTAINED GRASS SWALE
Q = 58.0 CFS (100 YR)
S = 1.0%
d = 0.94'
V = 4.2 FPS

SECTION D-D
MAINTAINED GRASS SWALE
Q = 84.0 CFS (100 YR)
S = 1.0%
d = 1.15'
V = 4.7 FPS

SECTION E-E
MAINTAINED GRASS SWALE
Q = 126.0 CFS (100 YR)
S = 1.0%
d = 1.45'
V = 5.3 FPS

1/2 STREET CAPACITIES
RESIDENTIAL 34' FL-FL
MAX. ALLOWABLE FLOW RAMP CURB

S	Q5 d=0.43'	Q100 d=0.75'
0.7	6.5 CFS	35.8 CFS
1.0	7.8 CFS	42.8 CFS
2.0	11.1 CFS	60.6 CFS
3.0	13.6 CFS	74.2 CFS
3.6	14.8 CFS	81.3 CFS
4.0	15.6 CFS	85.7 CFS
4.9	17.3 CFS	94.8 CFS



BENCHMARK:
REVISIONS:

LEIGH WHITEHEAD & ASSOCIATES, INC.
ENGINEERS, SURVEYORS & PLANNERS
2720 EAST YAMPA STREET, SUITE 1
COLORADO SPRINGS, CO 80909
TELEPHONE (719) 690-5179 FAX (719) 636-5169

DRAWING: MDDP2
SCALE: 1"=200'
DATE: 2-7-00
DRAWN BY: CLB/LJ
CHECKED BY: LAB
PROJECT: 98093
SHEET NO. 2 OF 2

**PROPOSED CONDITIONS
STETSON RIDGE EAST
MASTER DEVELOPMENT
DRAINAGE PLAN**