

- LEGEND**
- MAJOR BASIN BOUNDARY
 - SUB-BASIN BOUNDARY
 - MAJOR BASIN DESIGNATION
AREA IN ACRES
 - SUB-BASIN DESIGNATION
AREA IN ACRES
 - DESIGN POINT
 - EXISTING STORM SEWER
 - PROPOSED STORM SEWER
 - PROPOSED STORM SEWER INLET
 - GENERAL FLOW DIRECTIONS
 - CHANNEL SECTION CHANGES
 - EXISTING INLET
 - PROPOSED INLET
 - RIPRAP CHANNEL LINING OR BANK PROTECTION (SAND CREEK)

STETSON HILLS SUBDIVISION
PHASE I

REVISIONS		BY	DATE
NO.			

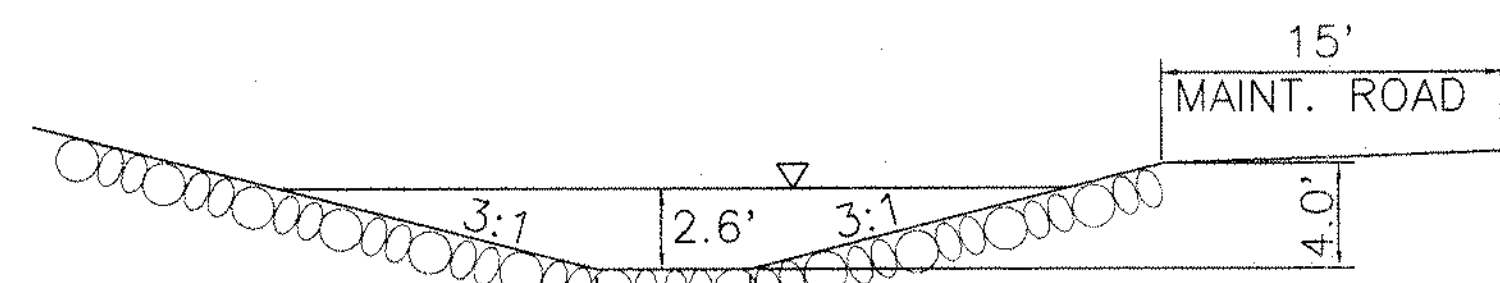
DESIGNER: BJP
 DRAWN: CAM
 CHECKED: BJF
 APPROVED: [Signature]
 DATE: APR 1997

MERRICK

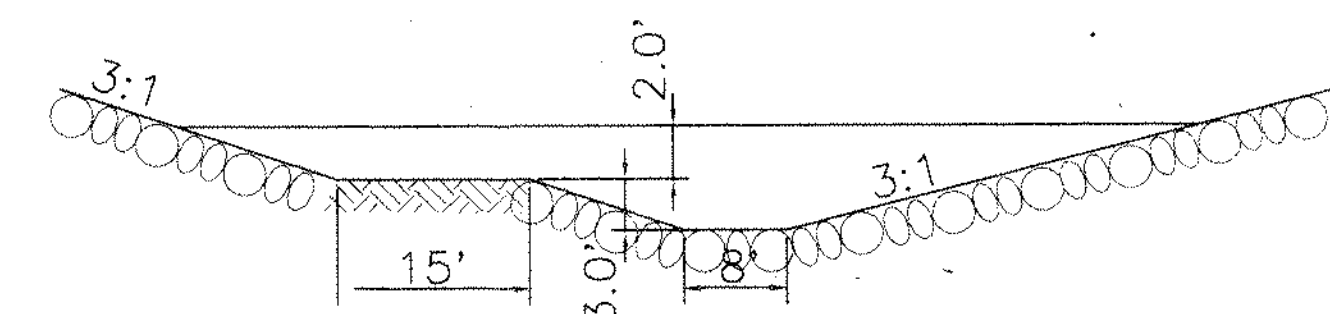
Merrick & Company
 Telephone 719/260-8874
 5373 North Union Boulevard
 Suite 202
 Colo. Sprgs., Colorado 80918

MASTER DEVELOPMENT DRAINAGE PLAN

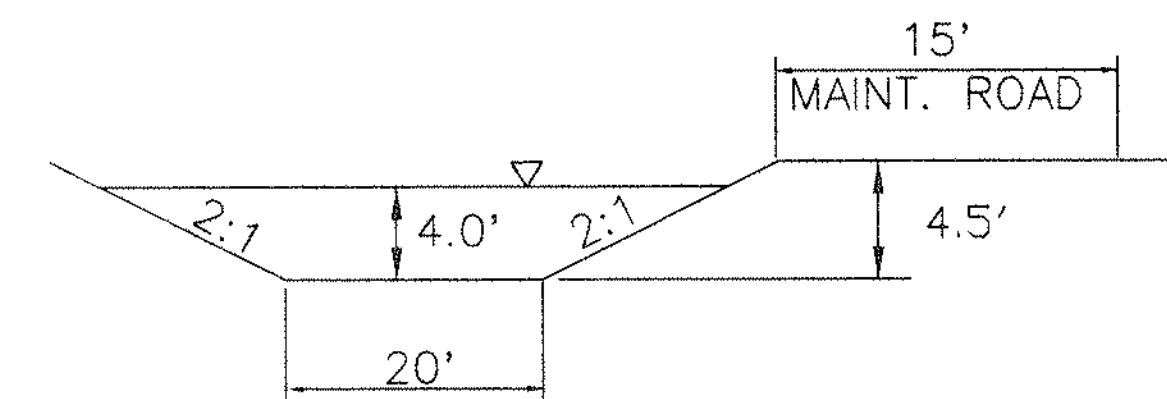
LOCATION: CO. SPRG., CO.
 PROJECT NO.: 2001-1127
 SHEET NO.: 1 OF 2
 SCALE: H: 1"=300' REV.



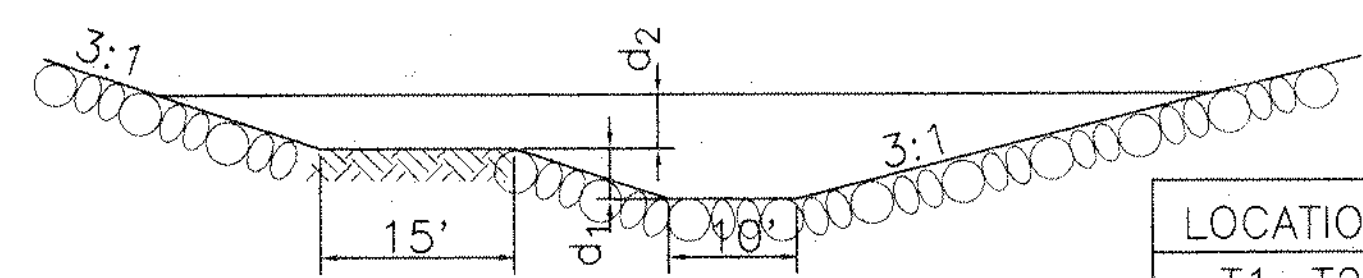
SECTION A-A
RIPRAP LINED
n=0.03 Q100 = 370 cfs
S=0.01 V = 7.4 f/s



SECTION C-C
RIPRAP LINED
n=0.03 Q100 = 569 cfs
S=0.01 V = 7.2 f/s

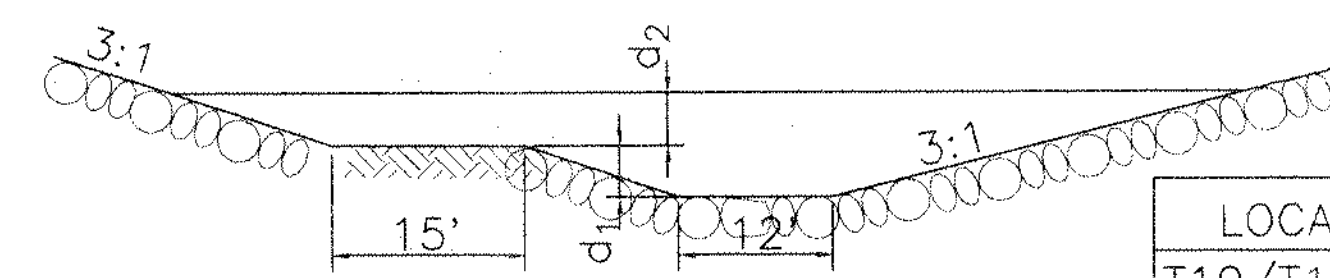


SECTION F-F
CONCRETE CHANNEL
n=0.013 Q100 = 2872 cfs
S=0.012 V = 25.8 f/s



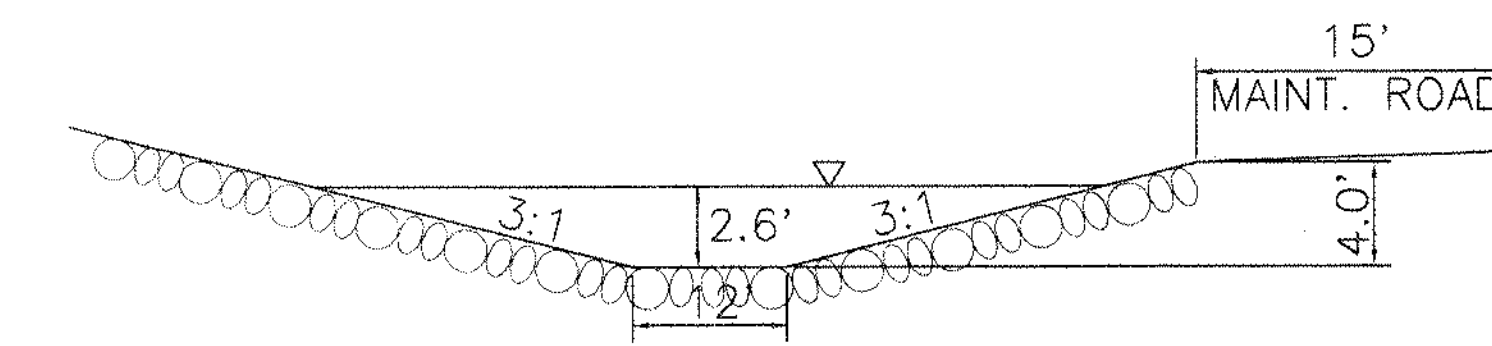
SECTION B-B
RIPRAP LINED
n=0.03
S=0.01

LOCATION	d ₁ (FT)	d ₂ (FT)	Q100(cfs)	V100(cfs)
T1-T2	3.5	2.0	700	7.3
T2-T3	4.0	2.5	1225	9.1
T3-T4	5.0	3.0	1860	10.4
T4-T5	6.0	3.5	2873	11.8

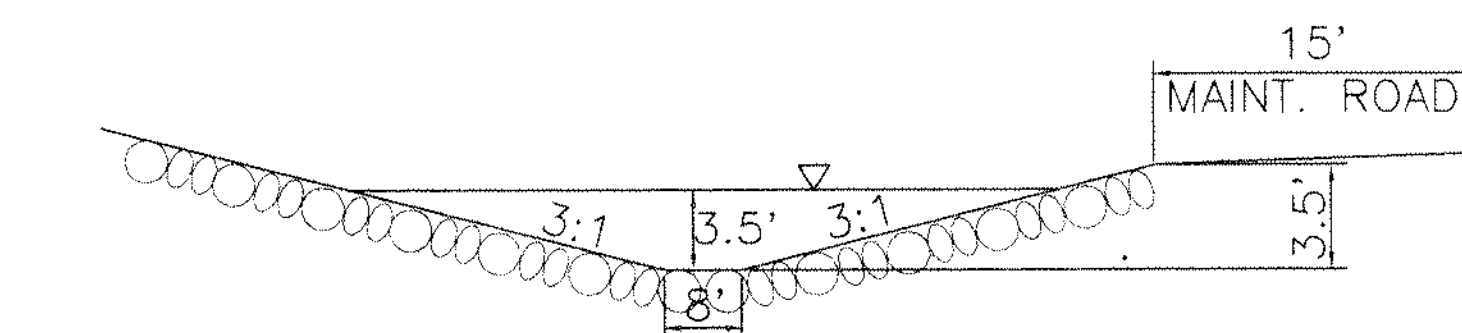


SECTION D-D
RIPRAP LINED
n=0.03
S=0.01

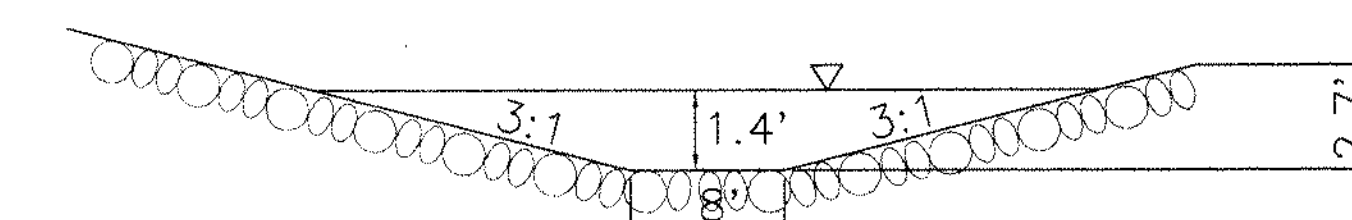
LOCATION	d ₁ (FT)	d ₂ (FT)	Q100(cfs)	V100(cfs)
T10/T11-T12	3.5	2.5	1072	8.8
T12-T13	4.0	2.5	1377	9.3
T13-T14	4.0	2.5	1523	9.7
T14-T15	4.5	2.5	1612	9.9



SECTION G-G
RIPRAP LINED
n=0.03 Q100 = 590 cfs
S=0.025 V = 11.6 f/s

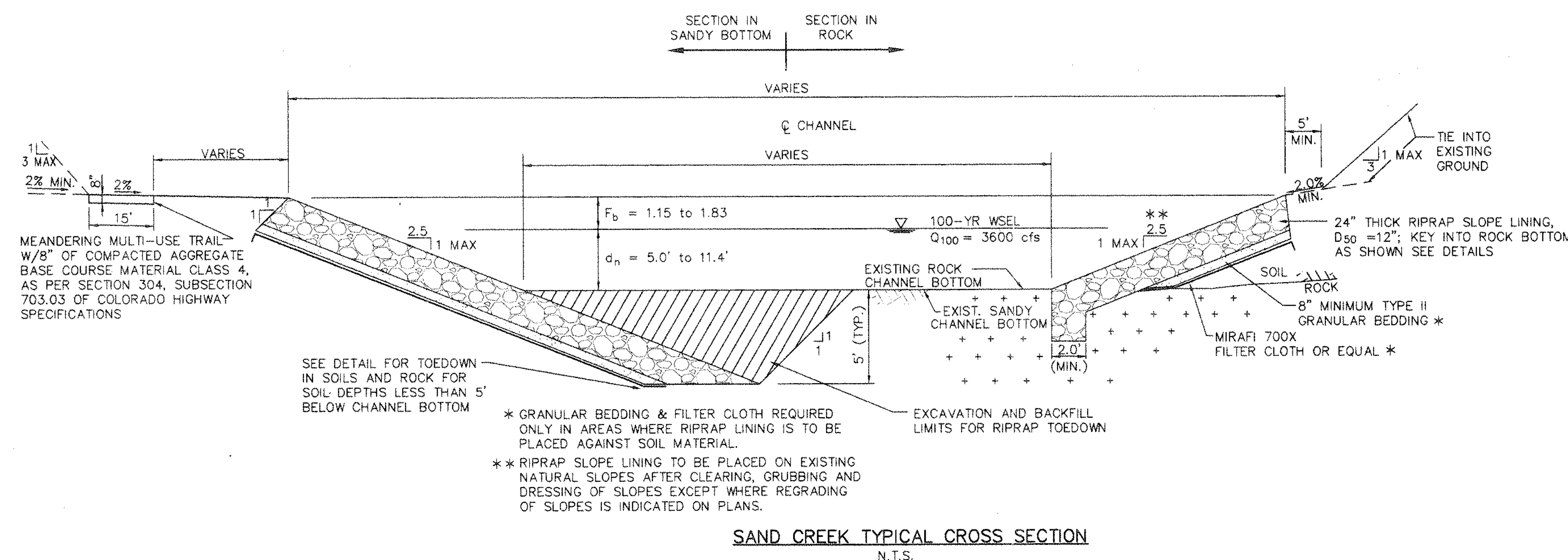


SECTION E-E
RIPRAP LINED
n=0.03 Q100 = 193 cfs
S=0.01 V = 6.3 f/s



SECTION H-H
RIPRAP LINED
n=0.03 Q100 = 185 cfs
S=0.050 V = 11.1 f/s

DESIGN POINT	CUMM AREA(AC)	Q (<5) (CFS)		DESIGN POINT	CUMM AREA(AC)	Q (<100) (CFS)	
		P	S			P	S
A1.1	20.8	51.0	5.8	D1	3.5	8.0	0.0
A1.3	43.6	96.9	6.2	D4	13.1	22.8	0.0
A1.6	8.0	11.6	8.8	D2	11.1	16.3	5.8
A1.5	73.8	162.6	6.8	D5	21.7	16.0	25.4
A1.7A	4.3	6.5	7.0	D6	22.8	10.0	18.2
A1.7B	73.8	181.3	2.9	E1.1	23.7	27.7	31.0
A2.1	2.2	2.7	4.2	E1.4	42.0	35.0	56.7
A2.2	78.5	178.1	17.4	E2.1	51.8	43.6	70.5
A2.3	2.0	2.4	7.0	E2.4	106.4	83.5	121.0
A2.5	2.7	5.4	0.0	E1.6	67.2	16.6	81.5
A1.8	76.5	184.9	0.0	G1	20.7	39.2	13.2
B1.6	23.7	57.5	5.0	G4	24.7	58.5	0.0
B2.2	3.4	6.4	4.3	H1	0.6	0.0	1.2
B1.4	28.3	77.5	0.0	H2	20.5	13.5	12.3
B5.2	3.7	12.6	0.0	H3	49.6	26.8	31.1
B1.3	18.5	0.0	51.4	H11	50.9	40.0	41.2
B1.1	6.9	0.0	19.2	H6.1	23.2	0.0	43.5
B5.1	17.1	0.0	49.1	H10	56.6	66.3	0.0
B2.3	18.7	42.1	4.6	H13	10.6	28.0	0.0
B3.2	19.8	53.9	7.2	H14	23.1	43.1	0.0
B6.3	55.9	115.1	7.0	H9	3.9	0.0	10.5
B5.4	0.8	2.2	1.4	H6.2	1.9	0.0	3.0
B6.2	59.3	80.7	0.0	H7	18.0	35.0	0.0
B4.2	5.4	13.1	0.0	J1	16.9	13.5	0.0
B4.1	17.5	44.3	0.0	J3	0.8	0.0	2.3
B4.3	23.9	28.8	0.0	J2	4.3	3.0	6.4
B4.4	1.2	0.0	5.6	J4	3.2	0.0	8.1
B4.5	3.5	0.0	20.4	J5	20.6	25.3	46.9
C6.1	14.6	31.0	3.5	J9	11.0	0.0	18.1
C5.1	30.6	61.6	4.2	K4	64.1	77.1	0.0
C4.1	32.3	71.7	3.6	K3	15.4	39.8	0.0
C3.1	25.5	61.0	8.7	K6	21.1	49.8	2.5
C4.3	68.2	163.2	0.0	K7	2.4	3.7	2.5
C1.3	75.4	180.5	0.0	K2	26.8	57.7	3.6
C1.1	3.0	4.5	6.7	K8	3.0	5.8	3.8
C1.2	4.0	9.3	4.0	K1	2.2	8.7	0.0
C1.4	11.3	30.5	0.0	L4	47.0	0.0	118.9
C1.5	2.7	12.4	0.0	M1	2.6	6.6	0.0
				M2	24.5	62.1	0.0



INLET	LENGTH(FT)	NEW/EXIST	INLET	LENGTH(FT)	NEW/EXIST	INLET	LENGTH(FT)	NEW/EXIST	INLET	LENGTH(FT)	NEW/EXIST	INLET	LENGTH(FT)	NEW/EXIST	INLET	LENGTH(FT)	NEW/EXIST
A1.1	15	NEW	B4.2	10	NEW	D2	20	NEW	J1.1	10	NEW	L1.3	18	NEW	P2.1	14	EXIST
A1.3	20	NEW	B5.2	10	NEW	D5	14	EXIST	J1.2	10	NEW	L2	14	EXIST	P2.2	14	EXIST
A1.5	20	NEW	B5.4	9	NEW	D6	4	EXIST	J1.3	20	NEW	L3.1	8	EXIST	P3.1	9	NEW
A1.6	20	NEW	B6.2	20	NEW	E1.1	8	EXIST	J2A	4	EXIST	L3.2	4	EXIST	P3.2	8	NEW
A1.7A	18	NEW	B6.3	18	NEW	E1.4	6	EXIST	J2B	4	EXIST	L4	6	EXIST	P3.3	15	NEW
A1.7B	6	EXIST	C1.1A	10	EXIST	E1.6	12	EXIST	J5	14	EXIST	L5.1	4	EXIST	P3.4	15	NEW
A2.1A	6	EXIST	C1.1B	8	EXIST	E2.1	10	EXIST	J8	4	EXIST	L5.2	4	EXIST	P3.5	10	NEW
A2.1B	4	EXIST	C1.2	10	EXIST	E2.4	6	EXIST	J11A	6	EXIST	L5.3	6	EXIST	P3.6	15	NEW
A2.2	16	EXIST	C1.3	20	NEW	G1	13	NEW	J11B	6	EXIST	L5.4	10	EXIST	P3.7	12	NEW
A2.3	4	EXIST	C1.5	6	EXIST	G4	11	NEW	K1	6	EXIST	L5.5	12	EXIST	P3.8	10	NEW
A2.5	4	EXIST	C3.1	20	NEW	G5	47	NEW	K2	15	NEW	M1	15	NEW			
B1.4	18	NEW	C4.1	17	NEW	H3	14	EXIST	K4	20	NEW	M2	6	NEW			
B1.6	19	NEW	C4.3	14	NEW	H7	10	NEW	K6	12	NEW	P1.1	4	EXIST			
B2.2	18	NEW	C5.1	18	NEW	H10	65	NEW	K7	12	NEW	P1.2	4	EXIST			
B2.3	14	NEW	C5.3	18	NEW	H11	20	NEW	K8	16	NEW	P1.3	4	EXIST			
B3.2	18	NEW	C6.1	14	NEW	H14	10	NEW	L1.1	16	NEW	P1.4	6	EXIST			
B4.3	6	NEW	D1	8	NEW	J1	14	EXIST	L1.2	20	NEW	P1.5	6	EXIST			

STETSON HILLS SUBDIVISION
PHASE I

REVISIONS			
NO.	DESCRIPTION	BY	DATE

DESIGNER: BJP
DRAWN: CAM
CHECKED: BJP
APPROVED: [Signature]
DATE: MAR 1997

MERRICK & COMPANY
Telephone 719/260-8874
5373 North Union Boulevard
Suite 202
Calo. Sprgs., Colorado 80918

MASTER DEVELOPMENT
DRAINAGE PLAN

LOCATION	CO. SPRGS., CO.
PROJECT NO.	2001-1127
SHEET NO.	2 OF 2
SCALE	
REV.	