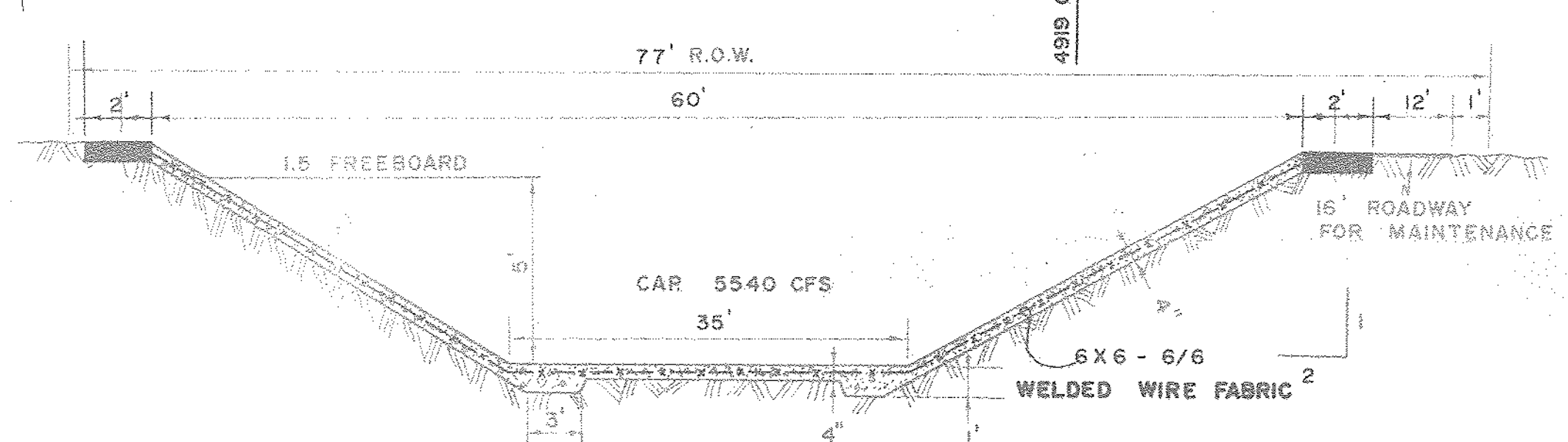


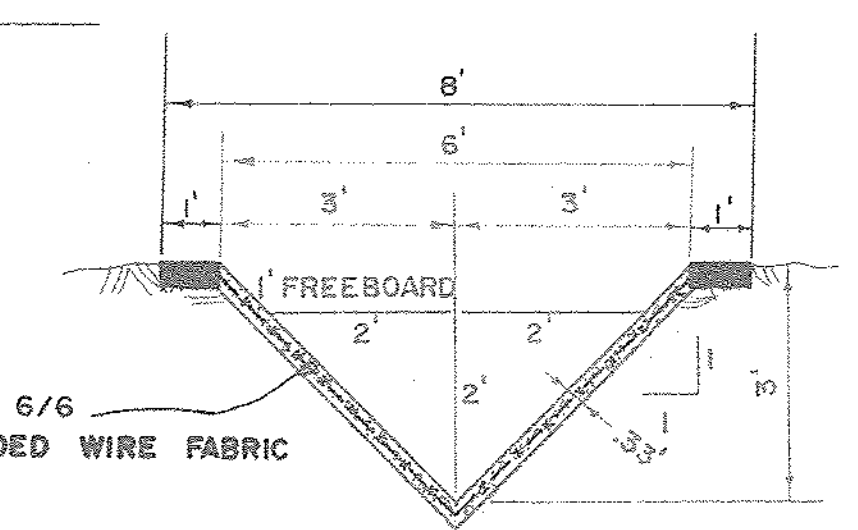
NOTE: (5 - 10 X 6 CELLS)  
BOX CULVERT



TYPICAL GREENBELT DITCH SECTION

(TYPE 3)  
NO SCALE  
REF. SAND CREEK DRAINAGE STUDY  
MAY 31, 1968

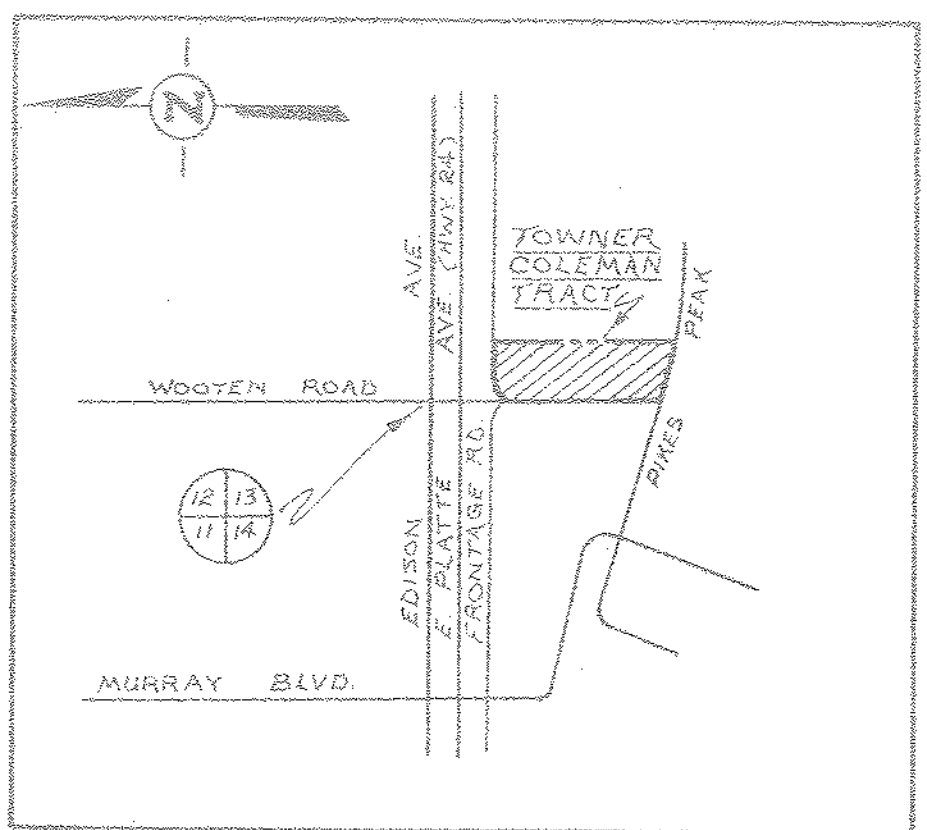
S = 1.7%  
A = 225"  
WP = 57.36  
R<sup>2</sup>/s = 2.486  
V = 24.6 FT./SEC.  
Q = 5540 CU. FT. / SEC.



CONCRETE LINE "V" DITCH

NO SCALE  
S = 1.7%  
A = 4"  
WP = 5.65'  
R<sup>2</sup>/s = .790  
V = 7.8  
Q = 31.3 CU. FT. / SEC.

# TOWNER COLEMAN TRACT

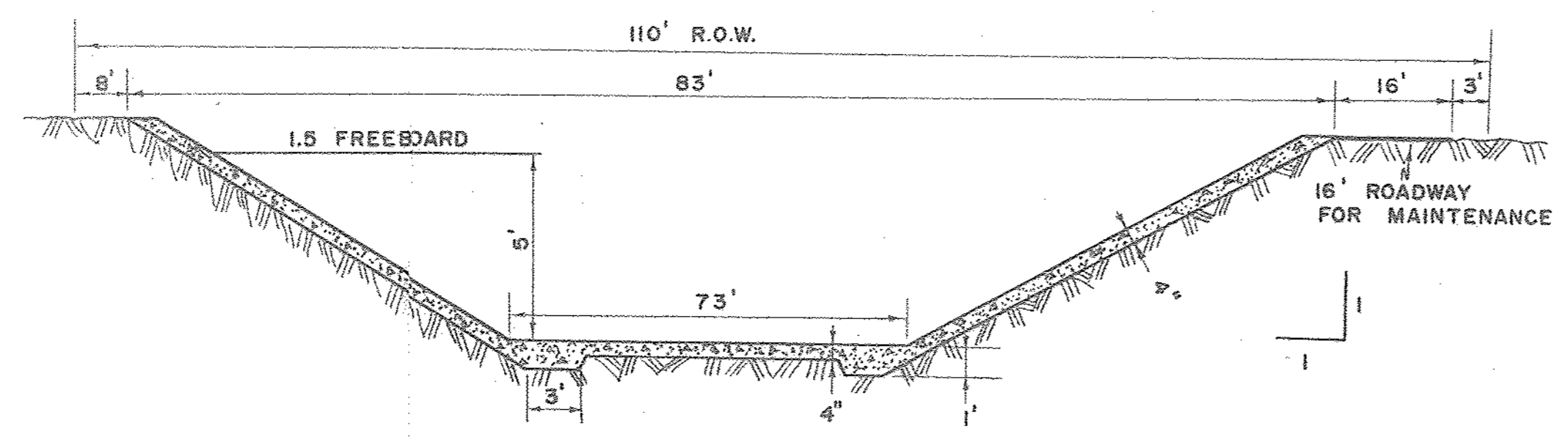
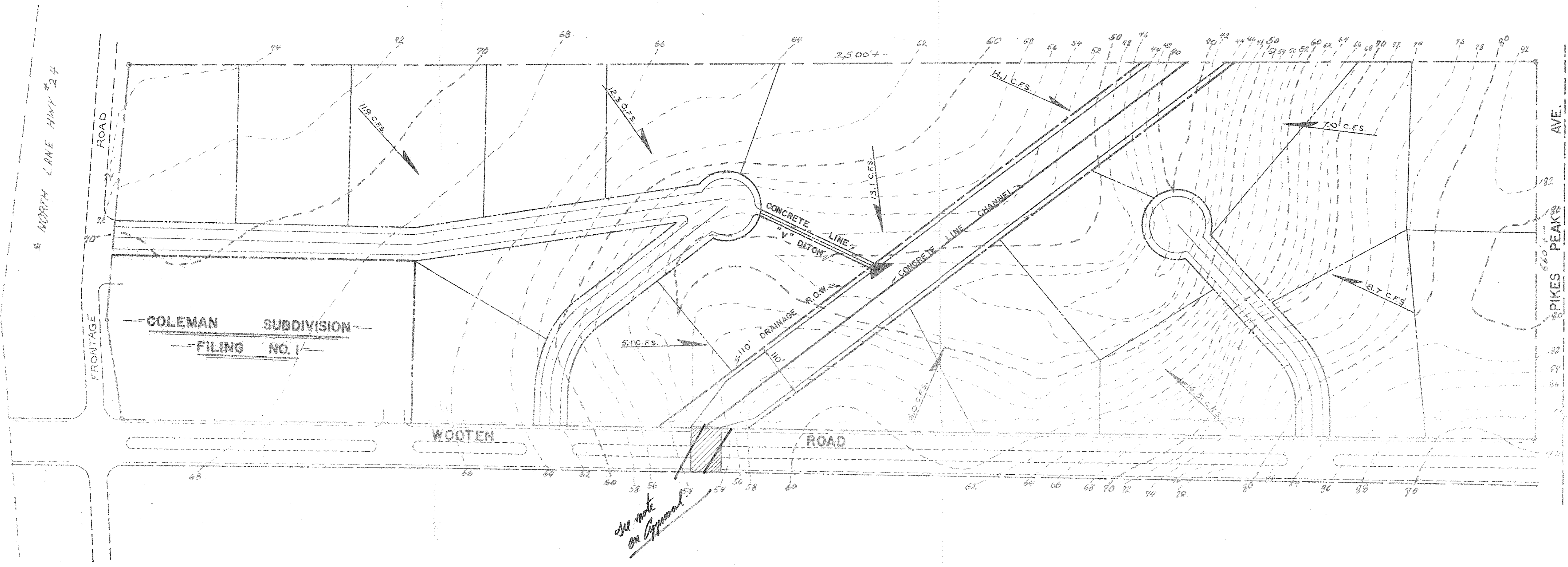
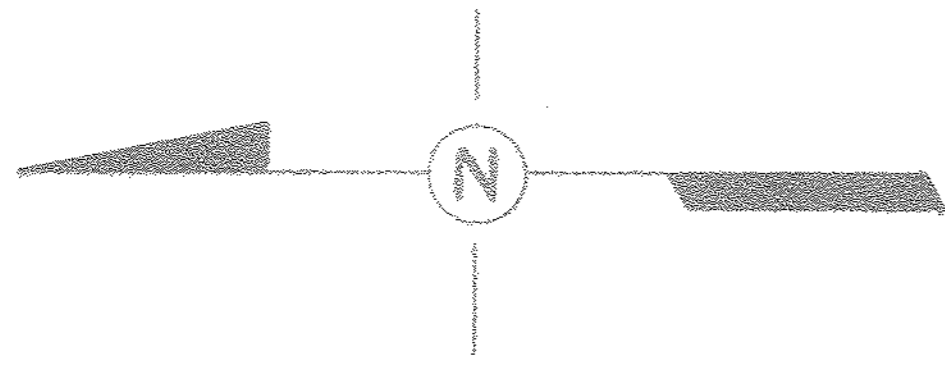


VICINITY MAP  
NO SCALE



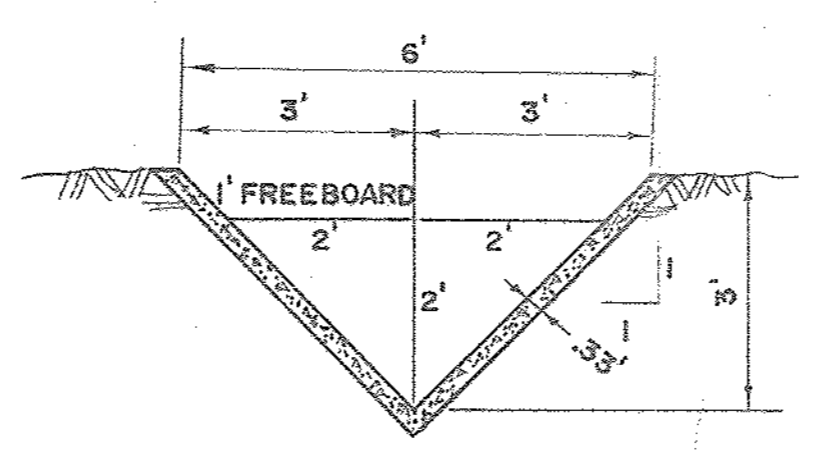
TOWNER COLEMAN TRACT

DATE	11-27-72
SCALE	5.5'
PROJECT NO.	12-180



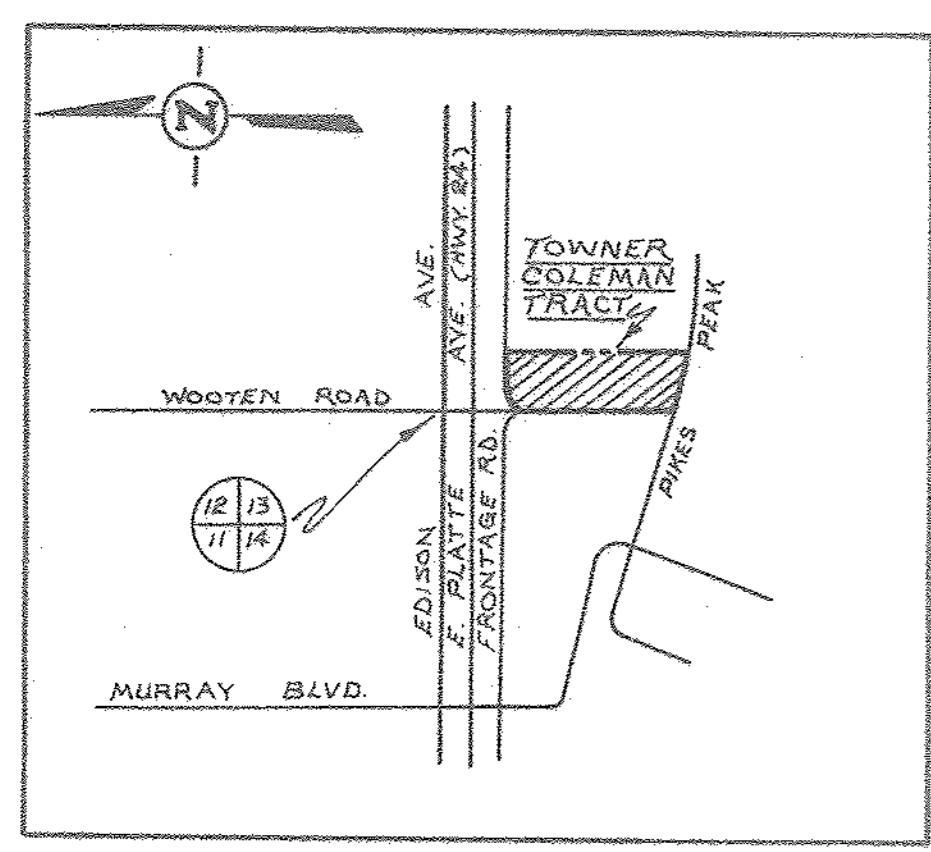
TYPICAL GREENBELT DITCH SECTION

(TYPE 3)  
NO SCALE  
REF. SAND CREEK DRAINAGE STUDY  
MAY 31, 1968

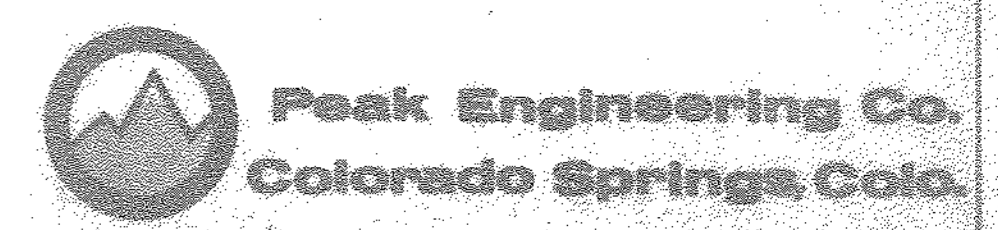


CONCRETE LINE "V" DITCH  
NO SCALE

# TOWNER COLEMAN TRACT



VICINITY MAP  
NO SCALE



SCALE 1"=100'	REVISIONS	BY	DATE
DATE 11-27-72			
DRAWN BY S.S.			
CHECKED BY			
TITLE			
			NO 72-180