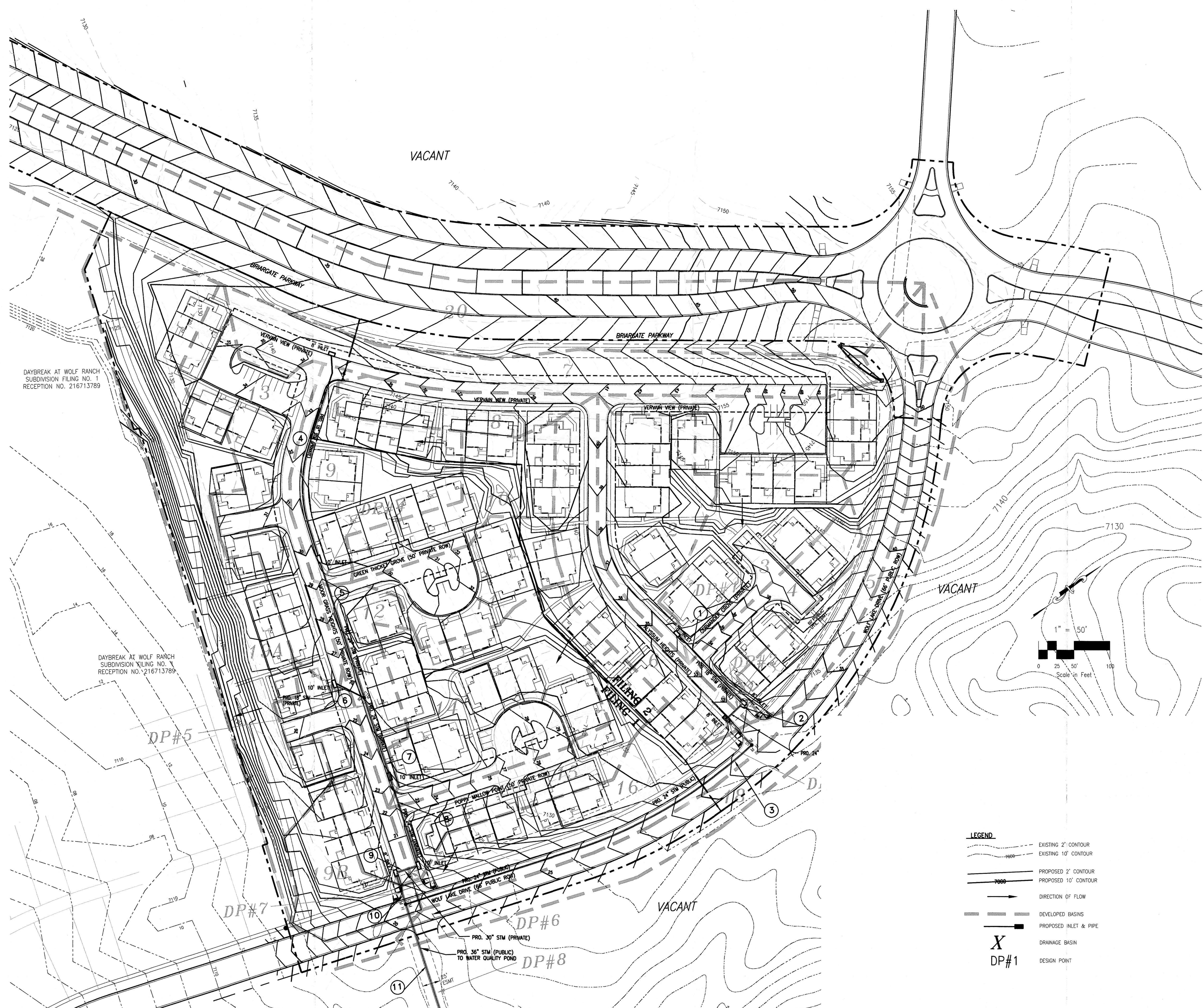
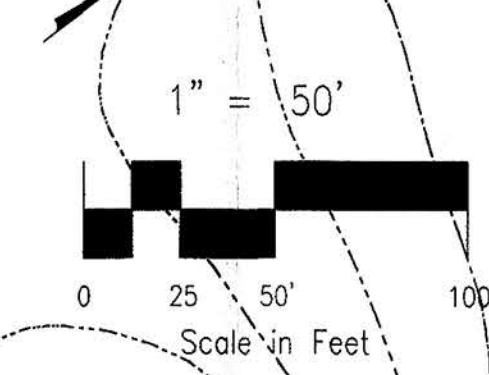


Vicinity Map  
NOT TO SCALE



DAYBREAK AT WOLF RANCH  
SUBDIVISION FILING NO. 1  
RECEPTION NO. 216713789

DAYBREAK AT WOLF RANCH  
SUBDIVISION FILING NO. 1  
RECEPTION NO. 216713789



PIPE RUN

Pipe Run	Q <sub>s</sub> (cfs)	Q <sub>100</sub> (cfs)	Pipe Size	DP #1	Basin(s)
1	3.2	5.0	18"	DP #1	
2	6.2	12.5	18"	DP #2	
3	11.2	22.1	24"	DP #3	
4	2.0	5.6	18"		Basin 7
5	5.9	12.1	24"		Basins 7, 8, 9
6	3.2	6.1	18"		Basin 13
7	9.1	18.2	24"		Basins 7, 18, 8, 9
8	13.9	26.1	24"		Basins 7-13
9	19.5	40.3	30"	DP #6	
10	20.8	42.7	30"	DP #7	
11	31.6	64.4	36"	DP #8	

DEVELOPED DRAINAGE BASIN TABLE

Basin	Area (Ac.)	Q <sub>s</sub> (CFS)	Q <sub>100</sub> (CFS)	Contributing Basins
1	0.63	2.1	4.0	
2	0.56	1.4	2.9	
3	0.85	2.3	4.7	
4	0.42	1.5	2.5	
5	0.97	2.3	4.9	
6	0.92	3.0	5.6	
7	1.20	2.9	5.6	
8	0.42	1.0	2.8	
9	0.93	2.4	5.0	
10	0.61	1.6	3.2	
11	0.63	1.9	3.8	
12	0.43	1.5	2.8	
13	1.04	3.2	6.1	
14	1.41	3.6	7.3	
15	0.88	1.7	3.5	
16	1.01	2.3	4.9	
17	0.53	2.0	3.7	
18	1.55	3.3	7.0	
19	2.66	3.8	12.4	
19A	2.17	2.5	8.4	
19B	0.48	1.4	3.1	
20	4.23	7.0	15.7	
DP#1	1.19	3.2	6.3	Basins 1,2
DP#2	3.43	8.4	17.1	Basins 3, 4, 5
DP#3	4.35	11.2	22.2	Basin 6
DP#4	2.55	5.6	12.6	Basin 7,8,9
DP#5	5.28	12.6	26.0	Basins 10,11,12,13
DP#6	8.36	19.5	40.3	Basins 14,15,16
DP#7	8.89	20.8	42.7	Basins 17
DP#8	14.79	31.6	64.4	Basins 1,2,3,4,5,6,7,8,9,10,11,12,13,14,15,16,17

- LEGEND**
- - - - - EXISTING 2' CONTOUR
  - - - - - EXISTING 10' CONTOUR
  - - - - - PROPOSED 2' CONTOUR
  - - - - - PROPOSED 10' CONTOUR
  - DIRECTION OF FLOW
  - ▭ DEVELOPED BASINS
  - ▬ PROPOSED INLET & PIPE
  - X DRAINAGE BASIN
  - DP#1 DESIGN POINT

**ROCKWELL CONSULTING, Inc.**  
ENGINEERING • SURVEYING  
1655 N. WALKER BLVD., SUITE 200  
COLORADO SPRINGS, CO 80909  
(719) 435-2515 • FAX (719) 475-9223

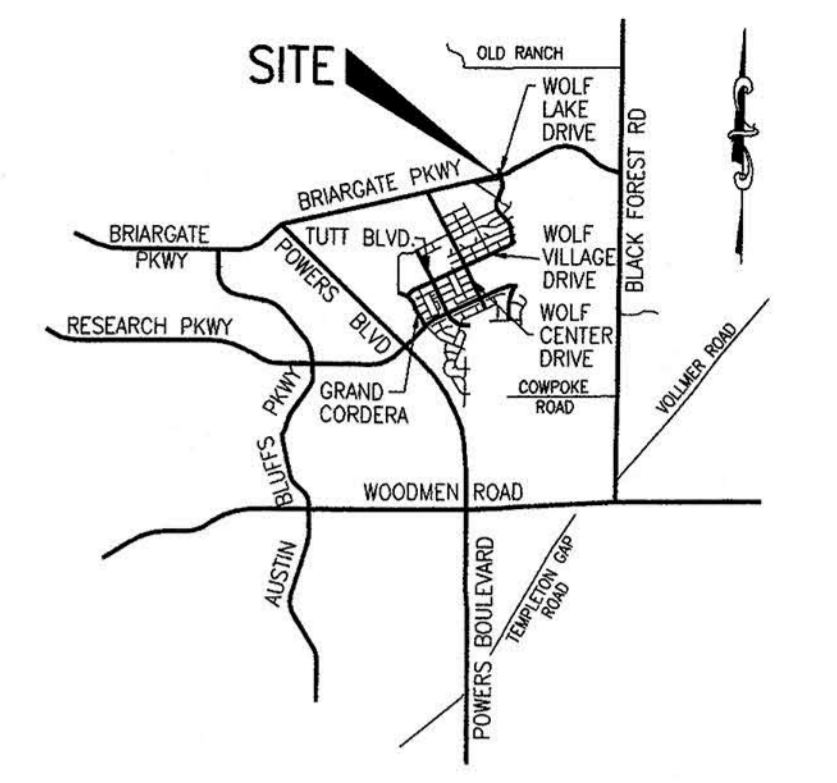
**TOWNHOMES II AT WOLF RANCH  
DEVELOPED DRAINAGE PLAN**

TITLE :  
SCALE : 1"=50'  
DATE : 3/22/17

DRAWN BY : KDR  
CHECKED BY : KDR

16-010  
JOB NO.

FILE: 16010bss7.dwg 3/22/17



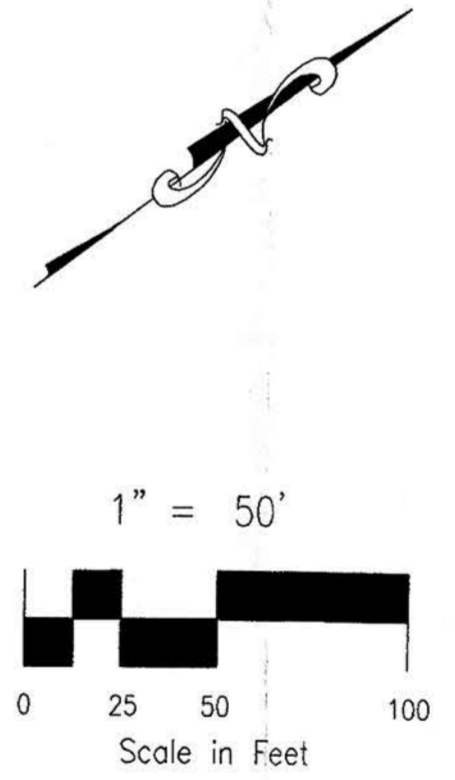
**Vicinity Map**  
NOT TO SCALE

**PIPE RUN**

Pipe Run	Q <sub>5</sub> (cfs)	Q <sub>100</sub> (cfs)	Pipe Size	Basin(s)
1	3.2	5.0	18"	DP #1
2	6.2	12.5	18"	DP #2
3	11.2	22.1	24"	DP #3
4	2.0	3.6	18"	BASIN 7
5	5.9	12.1	24"	BASINS 7, 8, 9
6	3.2	6.1	18"	BASIN 13
7	9.1	18.2	24"	BASINS 7, 18, 8, 9
8	13.9	26.1	24"	BASINS 7-13
9	19.5	40.3	30"	DP #6
10	20.8	42.7	30"	DP #7
11	31.6	64.4	36"	DP #8

**DEVELOPED DRAINAGE BASIN TABLE**

BASIN	AREA (Ac.)	Q <sub>5</sub> (CFS)	Q <sub>100</sub> (CFS)	CONTRIBUTING BASINS
1	0.63	2.1	4.0	
2	0.56	1.4	2.9	
3	0.85	2.3	4.7	
4	0.42	1.3	2.5	
5	0.97	2.3	4.9	
6	0.92	3.0	5.6	
7	1.20	2.0	5.6	
8	0.42	1.5	2.8	
9	0.93	2.4	5.0	
10	0.61	1.6	3.2	
11	0.63	1.9	3.8	
12	0.43	1.5	2.8	
13	1.04	3.2	6.1	
14	1.41	3.6	7.3	
15	0.68	1.7	3.5	
16	1.01	2.3	4.9	
17	0.53	2.0	3.7	
18	1.55	3.3	7.0	
19	2.66	3.8	12.4	
19A	2.17	2.5	9.4	
19B	0.48	1.4	3.1	
20	4.23	7.0	15.7	
DP#1	1.19	3.2	6.3	BASINS 1,2
DP#2	3.43	8.4	17.1	DP#1, BASINS 3, 4, 5
DP#3	4.35	11.2	22.2	DP#2, BASIN 6
DP#4	2.55	5.6	12.6	BASINS 7,8,9
DP#5	5.26	12.6	26.0	DP#4, BASINS 10,11,12,13
DP#6	8.36	19.5	40.3	DP#5, BASINS 14,15,16
DP#7	8.89	20.8	42.7	DP#6, BASIN 17
DP#8	14.79	31.6	64.4	DP#3, DP #7



**LEGEND**

- EXISTING 2' CONTOUR
- EXISTING 10' CONTOUR
- PROPOSED 2' CONTOUR
- PROPOSED 10' CONTOUR
- DIRECTION OF FLOW
- DEVELOPED BASINS
- PROPOSED INLET & PIPE
- DRAINAGE BASIN
- DESIGN POINT

FILE: 16010bas7.dwg 3/22/17

**ROCKWELL CONSULTING, Inc.**

ENGINEERING • SURVEYING  
1955 N. UNION BLVD., SUITE 200  
COLORADO SPRINGS, CO 80909  
(719) 475-2575 • FAX (719) 475-9223

**TOWNHOME II AT WOLF RANCH  
DEVELOPED DRAINAGE PLAN**

TITLE :	SCALE : 1"=50'	DRAWN BY : KDR	<b>16-010</b> JOB NO.
DATE : 3/22/17	CHECKED BY : KDR		