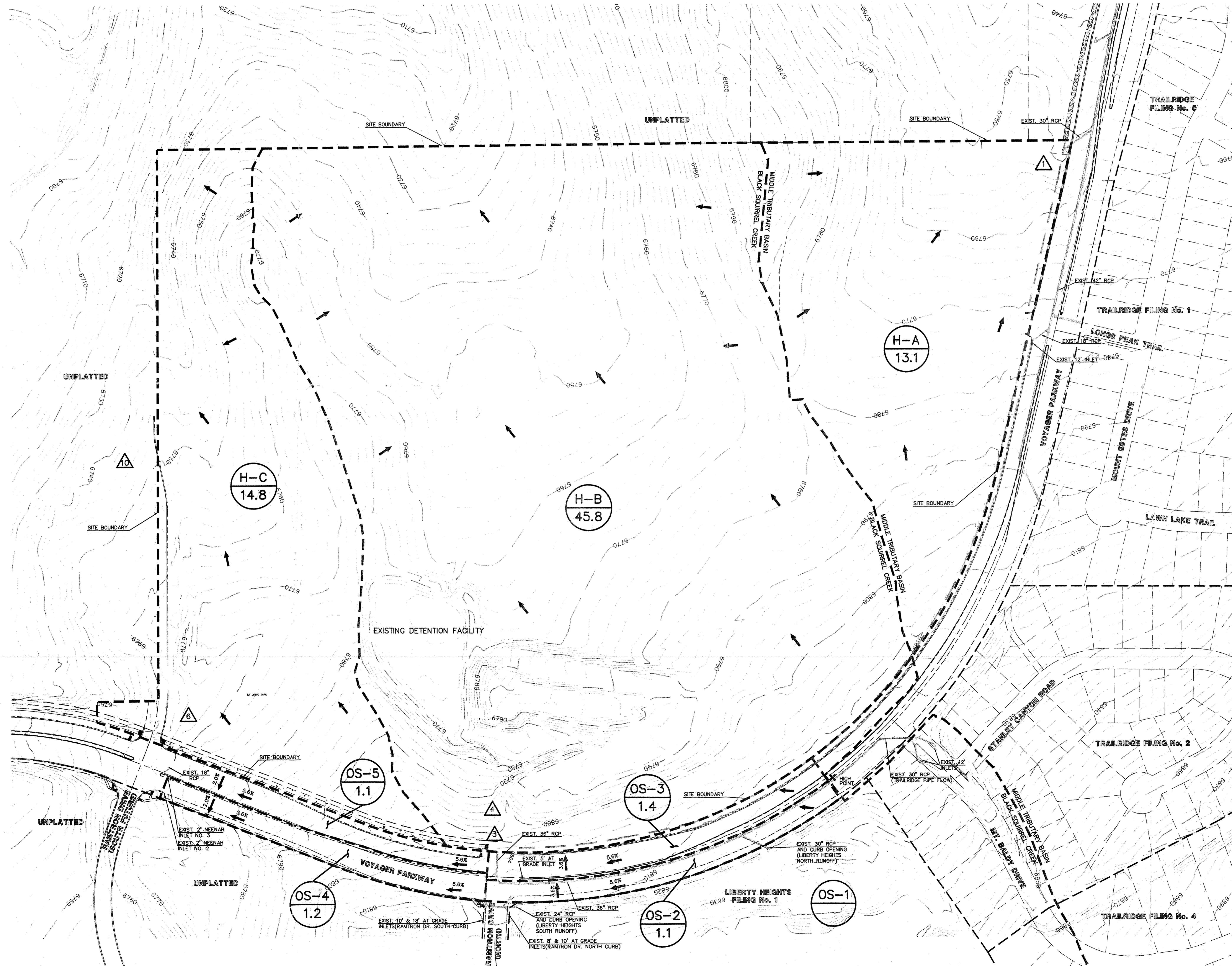


TRAILRIDGE SOUTH AT NORTHGATE

CITY OF COLORADO SPRINGS, COUNTY OF EL PASO, STATE OF COLORADO

MASTER DEVELOPMENT DRAINAGE PLAN

HISTORIC CONDITIONS
MAY 2000

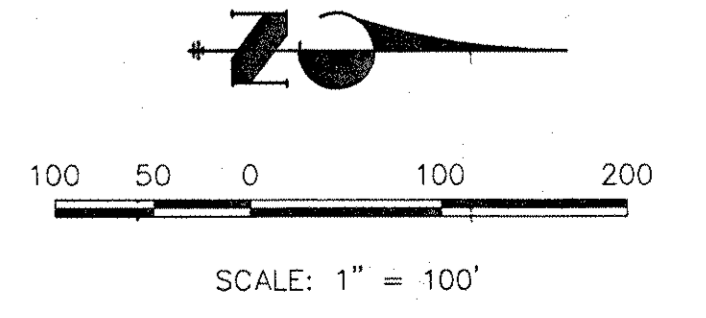


BASIN SUMMARY			
BASIN	TOTAL AREA	Q5 (CFS)	Q100 (CFS)
H-A	13.1	10	23
H-B	45.8	28	65
H-C	14.8	9	21
OS-1*		82	148
OS-2	1.1	5	9
OS-3	1.4	6	11
OS-4	1.2	5	10
OS-5	1.1	5	9

* INFORMATION BASED ON EQUIVALENT CA VALUES PER "ADDENDUM NO.1 TO NORTHGATE FILING NO.5 VOYAGER AND BLACK SQUIREL PARKWAYS PHASE 2B", "LIBERTY HEIGHTS FILING NO.1 PRELIMINARY/FINAL DRAINAGE REPORT", "NORTHGATE MASTER DEVELOPMENT DRAINAGE PLAN" AND "NORTHGATE FILING NO.3 ADDENDUM AND RAMTRON FILING NO.1 PRELIMINARY/FINAL DRAINAGE REPORT". SEE OFFSITE BASIN OS-1 PIPE AND SURFACE FLOW SHEET.

DESIGN POINT SUMMARY			
DESIGN POINT	Q5 (CFS)	Q100 (CFS)	
1	10	23	
3	67	111	
4	19	37	
6	10	17	
9	110	210	
10	14	29	

LEGEND	SYMBOL
EXISTING GROUND CONTOUR	6910
PROPOSED FINISHED CONTOUR	6910
BASIN BOUNDARY	---
DESIGN POINT	▲
BASIN IDENTIFIER	○ A
AREA IN ACRES	10.1
DIRECTION OF FLOW	→



UNL. SUCH TIME AS THESE DRAWINGS ARE PROVIDED BY AGENCIES, OR ENGINEERING, APPROVES THEIR USE ONLY FOR THE PURPOSES DESIGNATED BY WRITTEN AUTHORIZATION.

48 HOURS BEFORE YOU DIG,
CALL UTILITY LOCATORS
1-800-922-1987
CITY OF COLORADO SPRINGS DEPT. OF UTILITIES
GAS, ELECTRIC, WATER AND WASTEWATER

JR Engineering, LLC
4310 ArrowsWest Drive
Colorado Springs, CO 80907-3449
(719) 593-2593 • FAX (719) 528-6613

NO.	REVISION	BY	DATE

PLAN:	SCALE:	NO.
1"=100'	1"=100'	
PROFILE:	N/A	
DATE:	4/22/00	
DES. BY:	ONA	
DWN. BY:	DM	
CHK. BY:		

TRAILRIDGE SOUTH AT NORTHGATE
MASTER DEVELOPMENT DRAINAGE PLAN
SHEET 1 OF 1
JOB NO. 9128.10

XREFS: X:\2010000\dl12912810\Drawings\912810DMH.dwg F1 Fri 16:12:13:04 2001 JR Engineering