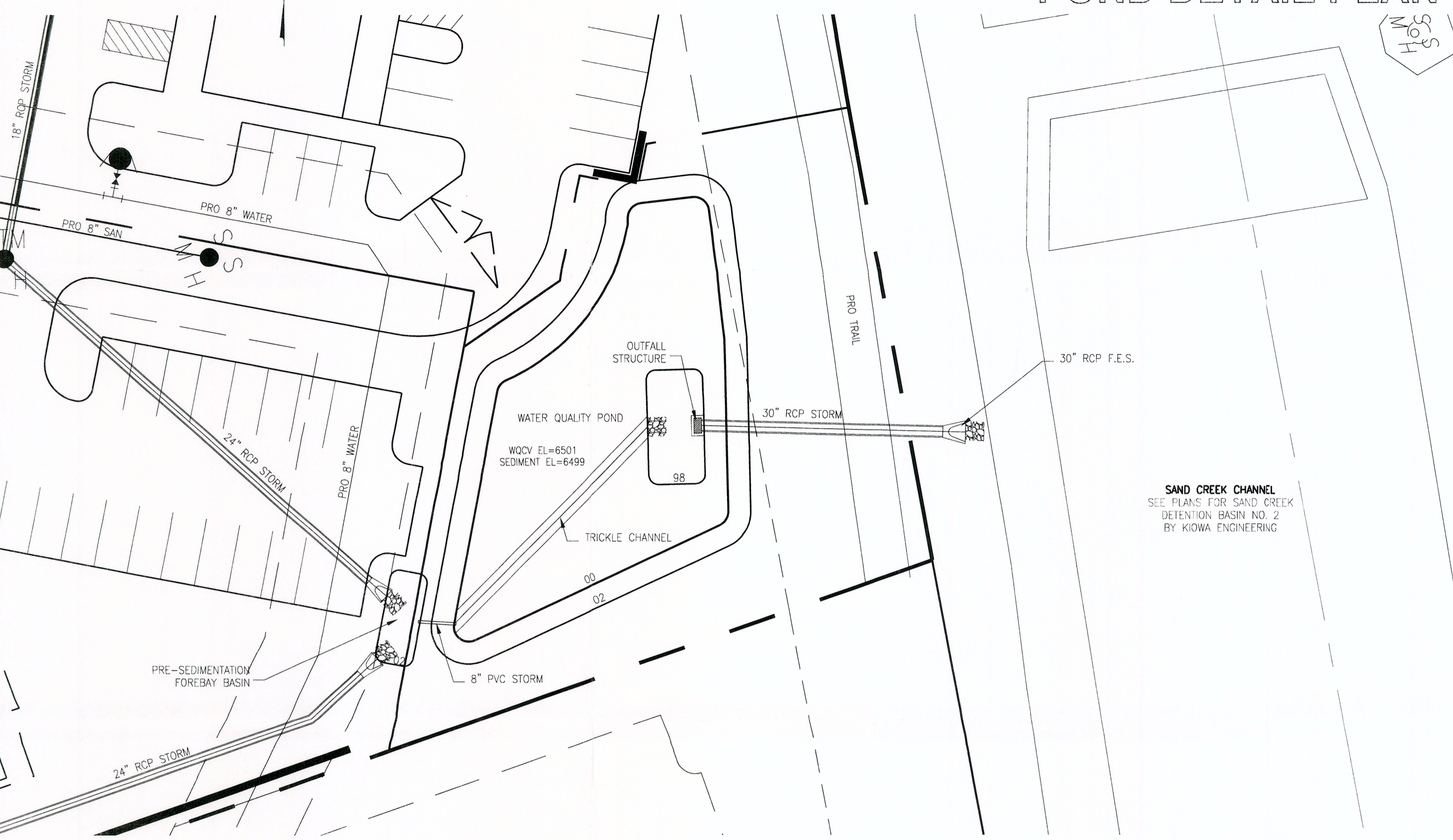
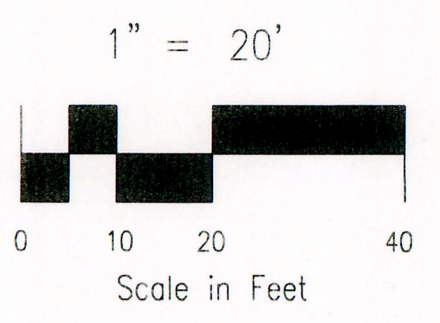
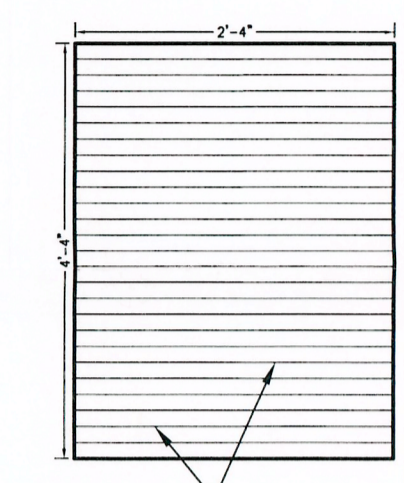


TUTT OFFICE PARK

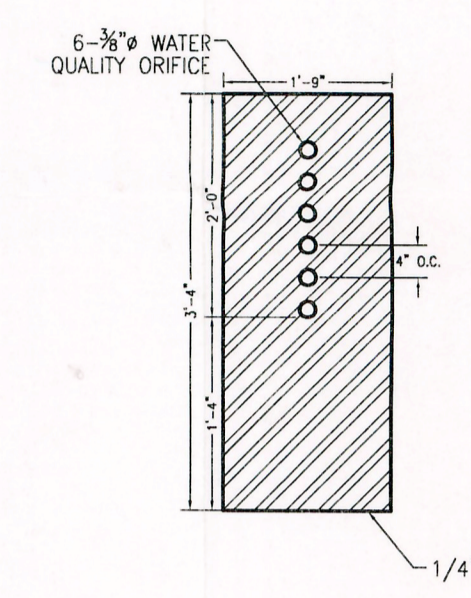
POND DETAIL PLAN



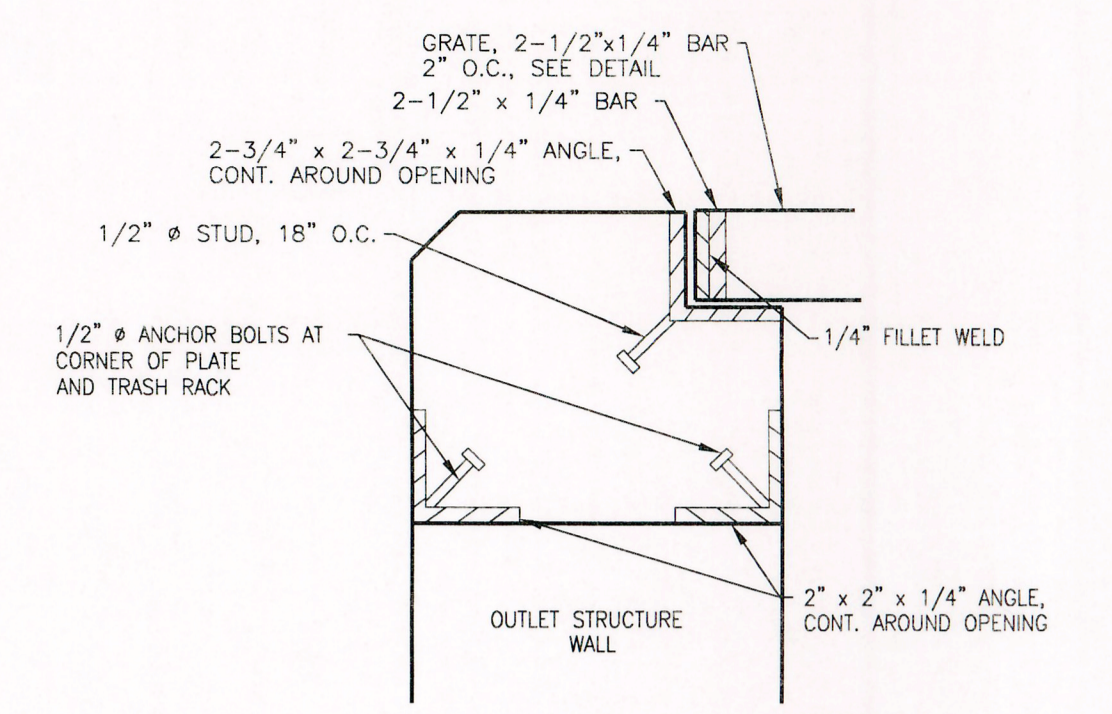
SAND CREEK CHANNEL
SEE PLANS FOR SAND CREEK
DETENTION BASIN NO. 2
BY KIOWA ENGINEERING



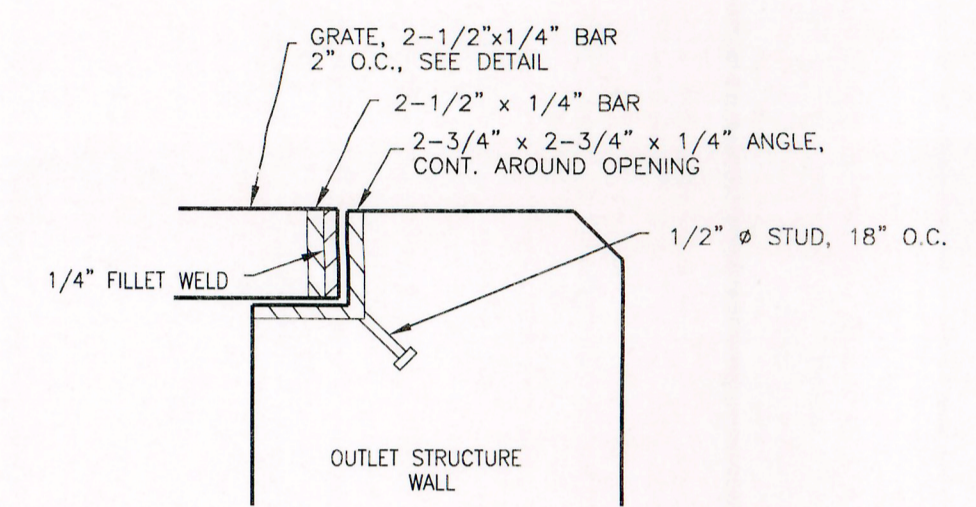
CHAMBER GRATE DETAIL
SCALE: NTS



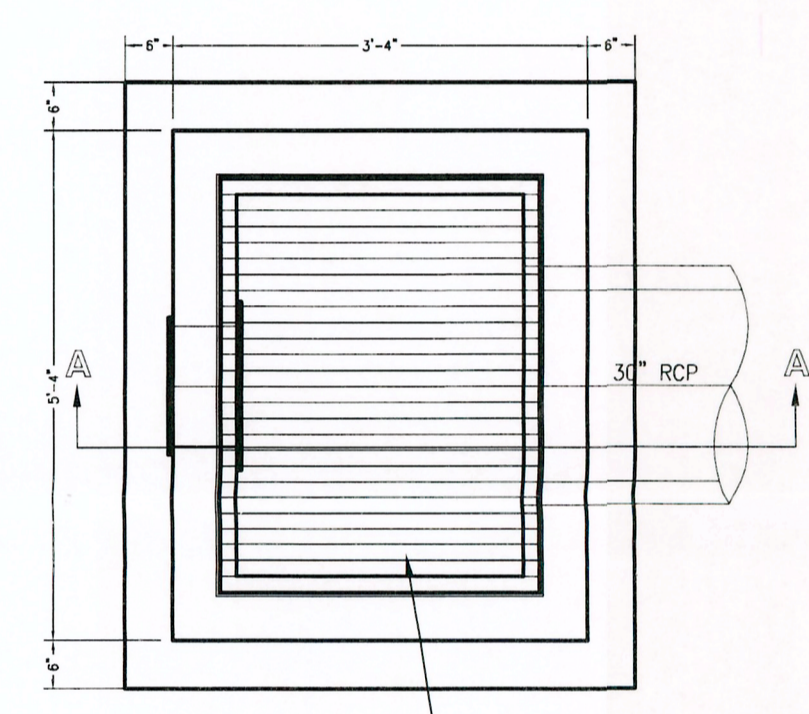
WATER QUALITY BASIN ORIFICE
PLATE HOLE DETAIL
SCALE: NTS



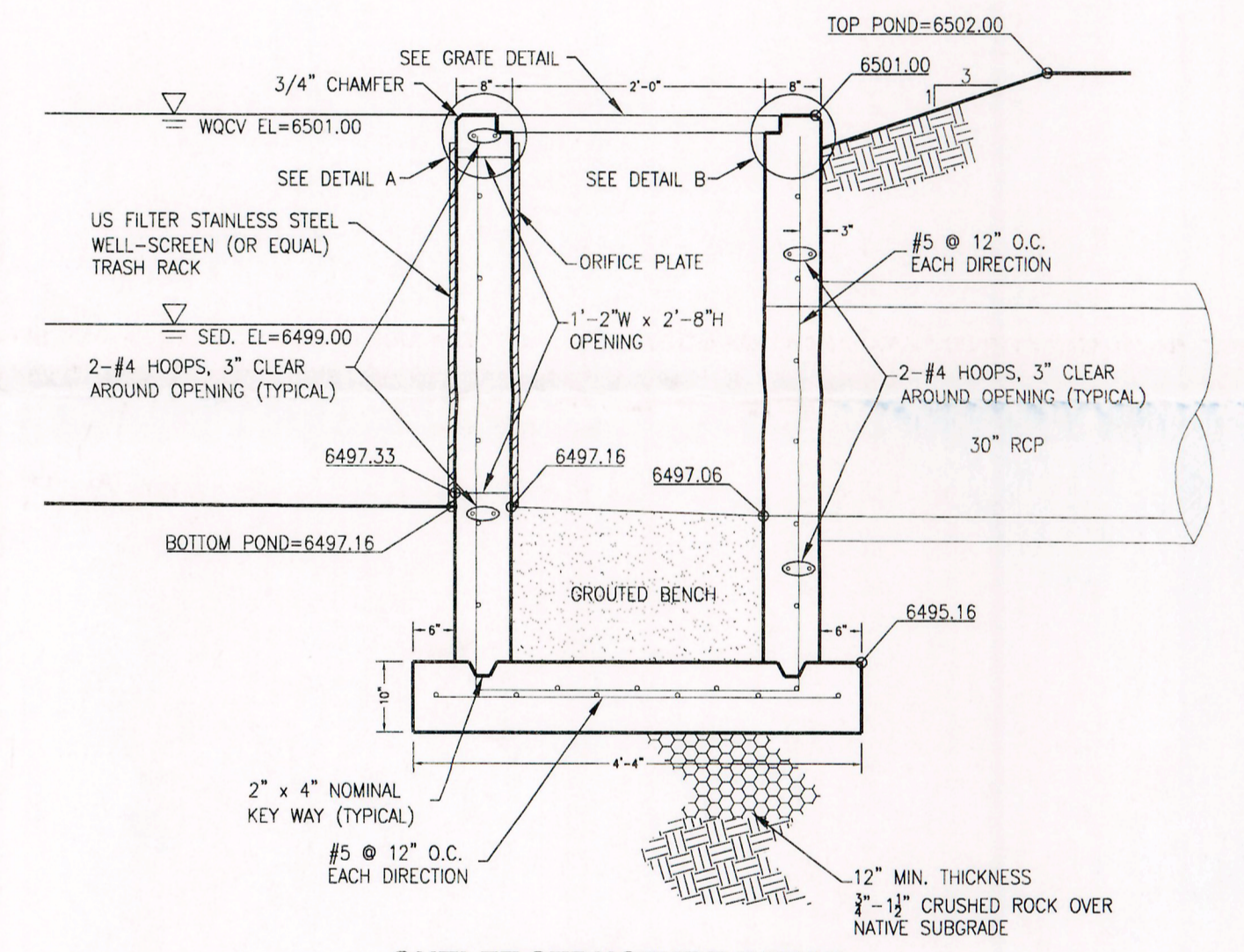
DETAIL A
SCALE: NTS



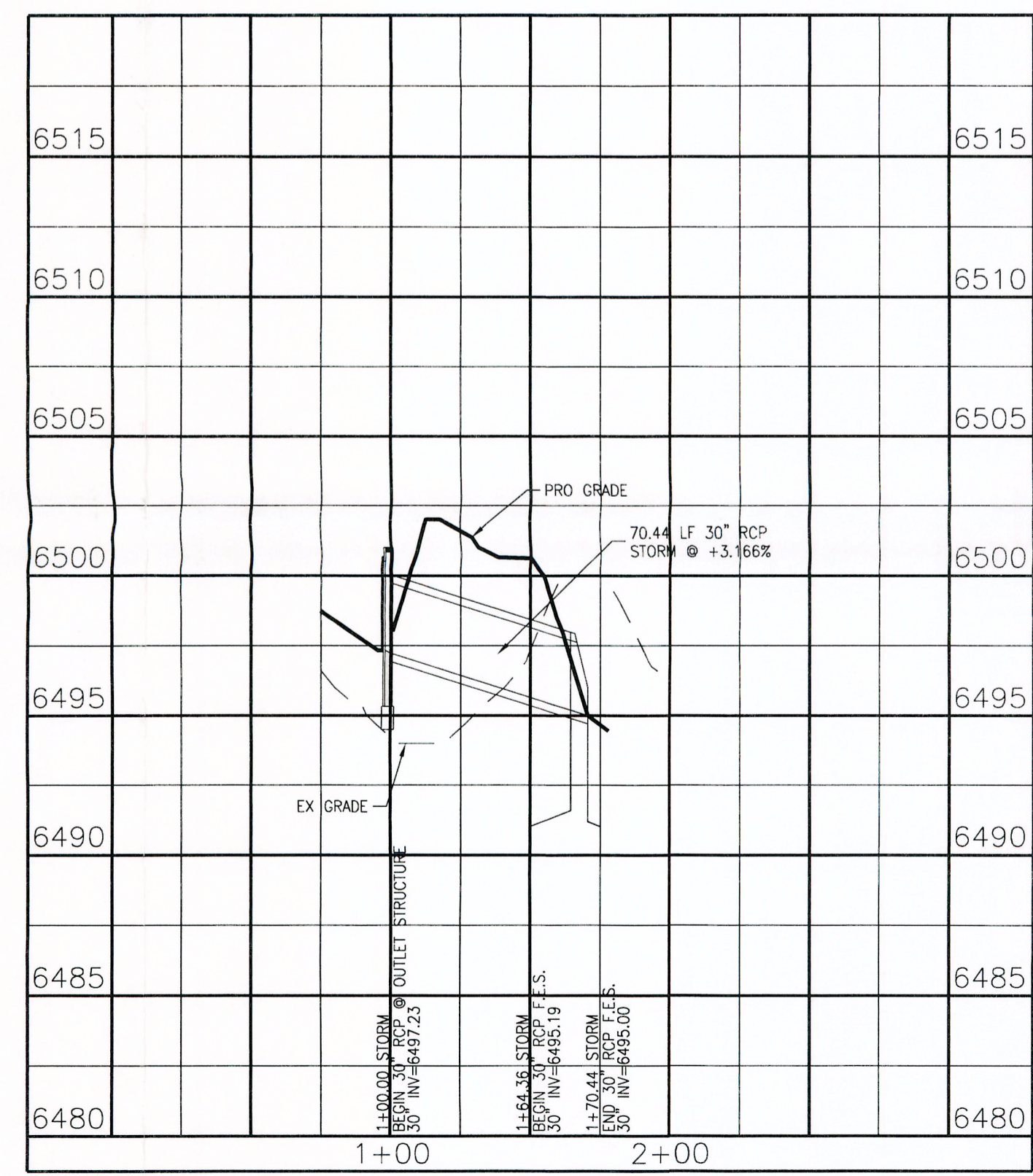
DETAIL B
SCALE: NTS



OUTLET STRUCTURE DETAIL
PLAN VIEW
SCALE: NTS



OUTLET STRUCTURE DETAIL
SECTION A-A
SCALE: NTS



APPROXIMATE POND LAYOUT AND DETAILS,
SUBJECT TO FINAL DESIGN

FILE: 03066CD2.DWG 8/3/07

ENGINEERING • SURVEYING
1955 N. UNION BLVD., SUITE 200
COLORADO SPRINGS, CO 80909
(719) 475-2575 • FAX (719) 475-9223

TUTT OFFICE PARK
POND DETAIL PLAN

TITLE :
SCALE : 1"=20'
DATE : 8/3/07

DRAWN BY : JRH
CHECKED BY : KDR

03-066
JOB NO.