



SCALE: 1"=30'

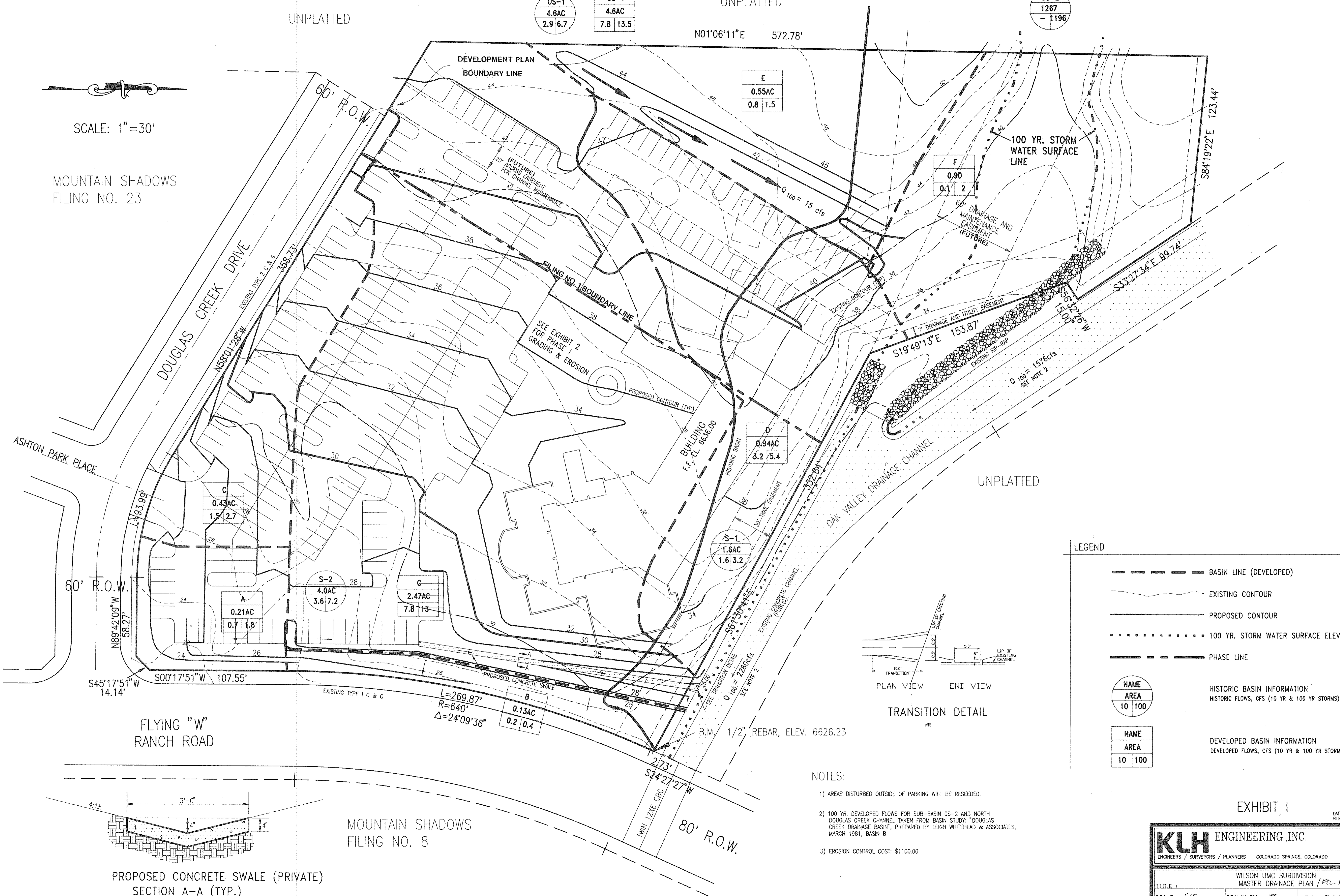
MOUNTAIN SHADOWS
FILING NO. 23

OS-1
4.6AC
2.9 6.7

OS-1
4.6AC
7.8 13.5

OS-2
1267
- 1196

UNPLATTED
N01°06'11"E 572.78'



LEGEND

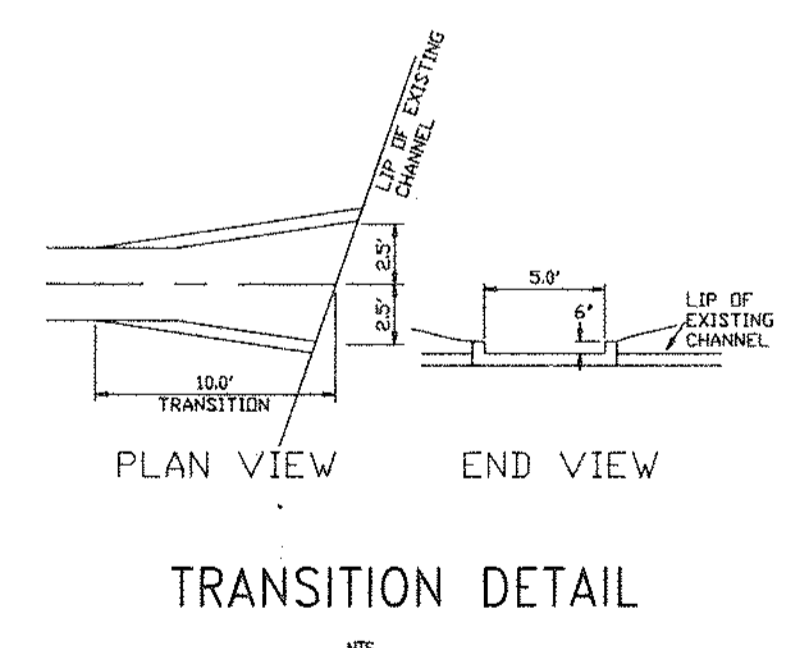
- BASIN LINE (DEVELOPED)
- EXISTING CONTOUR
- PROPOSED CONTOUR
- 100 YR. STORM WATER SURFACE ELEVATION
- PHASE LINE

NAME	
AREA	
10	100

HISTORIC BASIN INFORMATION
HISTORIC FLOWS, CFS (10 YR & 100 YR STORMS)

NAME	
AREA	
10	100

DEVELOPED BASIN INFORMATION
DEVELOPED FLOWS, CFS (10 YR & 100 YR STORMS)



- NOTES:
- AREAS DISTURBED OUTSIDE OF PARKING WILL BE RESEEDED.
 - 100 YR. DEVELOPED FLOWS FOR SUB-BASIN OS-2 AND NORTH DOUGLAS CREEK CHANNEL TAKEN FROM BASIN STUDY: "DOUGLAS CREEK DRAINAGE BASIN", PREPARED BY LEIGH WHITEHEAD & ASSOCIATES, MARCH 1981, BASIN B
 - EROSION CONTROL COST: \$1100.00

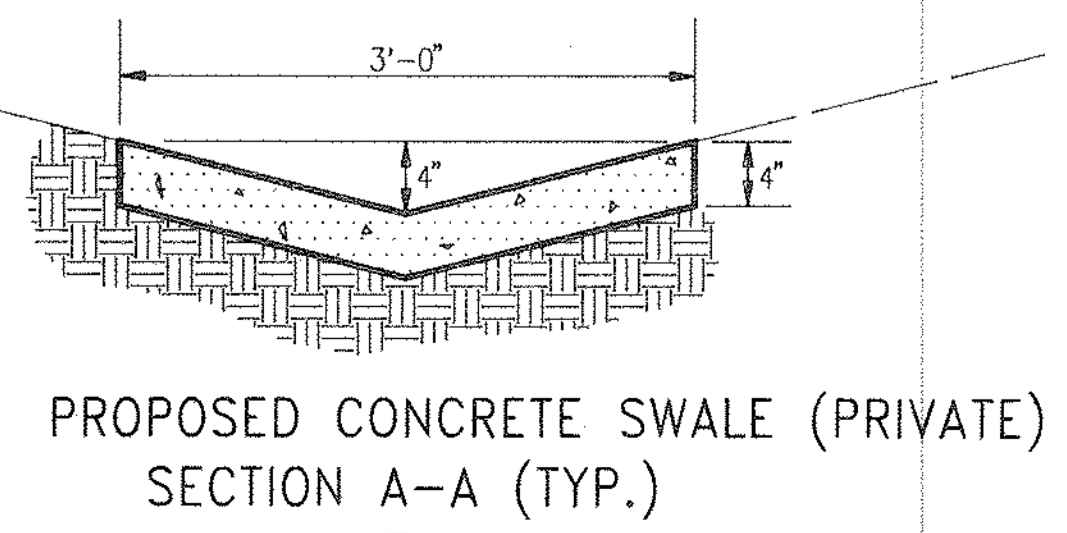


EXHIBIT I

DATE: 3/23/92
FILE: WUNCORADWG

KLH ENGINEERING, INC.
ENGINEERS / SURVEYORS / PLANNERS COLORADO SPRINGS, COLORADO

WILSON UMC SUBDIVISION MASTER DRAINAGE PLAN (FL. No. 1)	
TITLE	
SCALE: 1"=30'	DRAWN BY: MFS
DATE: 3/5/92	CHECKED BY: DAM
	89-566-00 JOB NO.