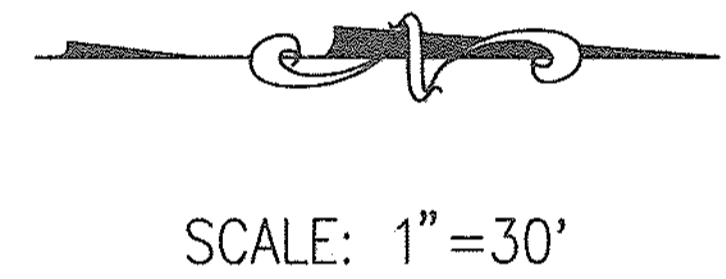
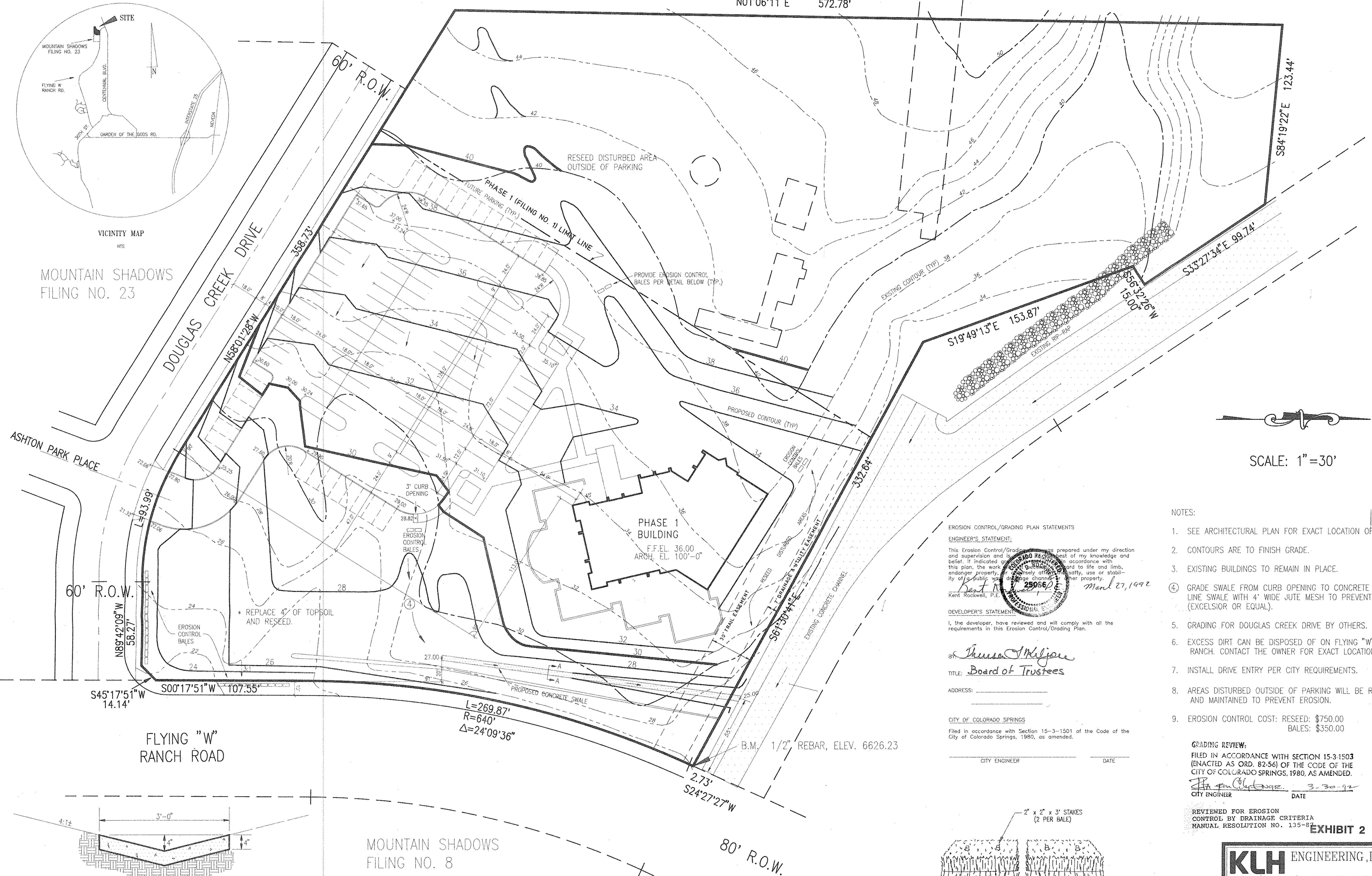


VICINITY MAP  
NTS

MOUNTAIN SHADOWS  
FILING NO. 23



EROSION CONTROL/GRADING PLAN STATEMENTS

ENGINEER'S STATEMENT:

This Erosion Control/Grading Plan was prepared under my direction and supervision and is based on the best of my knowledge and belief. If indicated on this plan, the work is to be done in accordance with this plan, the work is to be done to life and limb, endanger property, or otherwise affect the safety, use or stability of a public way, drainage channel, or other property.

Kent Rockwell, P.E. 25066PE

March 27, 1992

DEVELOPER'S STATEMENT:

I, the developer, have reviewed and will comply with all the requirements in this Erosion Control/Grading Plan.

BY: Theresa J. Wilson  
TITLE: Board of Trustees

ADDRESS: \_\_\_\_\_

CITY OF COLORADO SPRINGS

Filed in accordance with Section 15-3-1501 of the Code of the City of Colorado Springs, 1980, as amended.

CITY ENGINEER \_\_\_\_\_ DATE \_\_\_\_\_

- NOTES:
- SEE ARCHITECTURAL PLAN FOR EXACT LOCATION OF BUILDING.
  - CONTOURS ARE TO FINISH GRADE.
  - EXISTING BUILDINGS TO REMAIN IN PLACE.
  - GRADE SWALE FROM CURB OPENING TO CONCRETE LOW FLOW LINER. LINE SWALE WITH 4' WIDE JUTE MESH TO PREVENT EROSION. (EXCELSIOR OR EQUAL).
  - GRADING FOR DOUGLAS CREEK DRIVE BY OTHERS.
  - EXCESS DIRT CAN BE DISPOSED OF ON FLYING "W" RANCH. CONTACT THE OWNER FOR EXACT LOCATION.
  - INSTALL DRIVE ENTRY PER CITY REQUIREMENTS.
  - AREAS DISTURBED OUTSIDE OF PARKING WILL BE RESEED AND MAINTAINED TO PREVENT EROSION.
  - EROSION CONTROL COST: RESEED: \$750.00  
BALES: \$350.00

GRADING REVIEW:

FILED IN ACCORDANCE WITH SECTION 15-3-1503 (ENACTED AS ORD. 82-56) OF THE CODE OF THE CITY OF COLORADO SPRINGS, 1980, AS AMENDED.

Theresa J. Wilson 3-30-92  
CITY ENGINEER DATE

REVIEWED FOR EROSION CONTROL BY DRAINAGE CRITERIA MANUAL RESOLUTION NO. 135-87

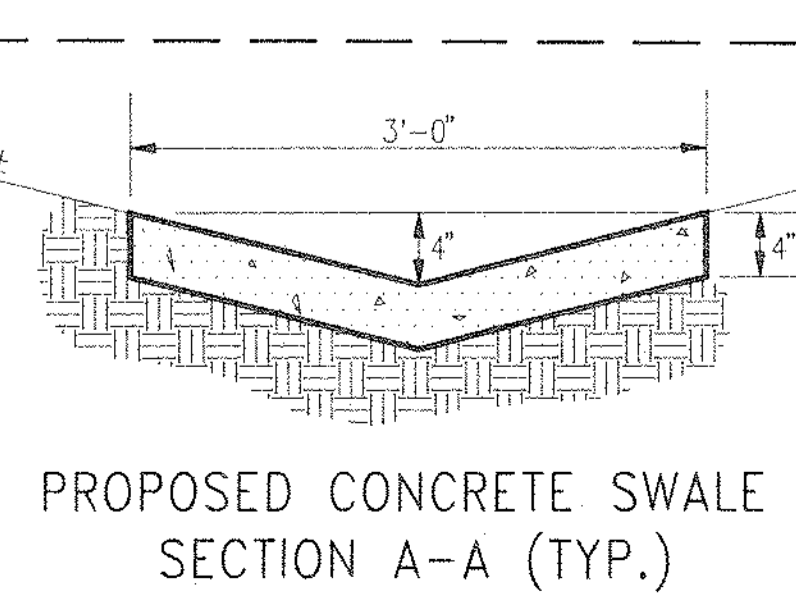
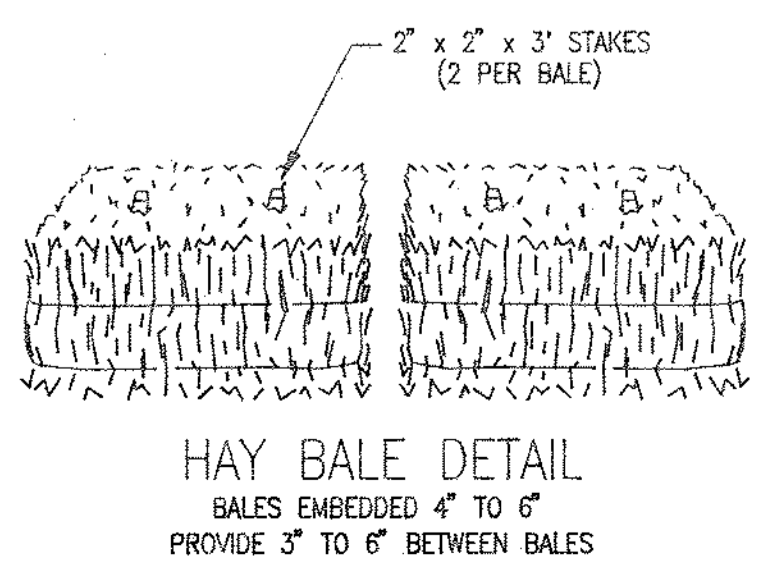
EXHIBIT 2

**KLH ENGINEERING, INC.**  
ENGINEERS / SURVEYORS / PLANNERS COLORADO SPRINGS, COLORADO

WILSON UNITED METHODIST CHURCH  
FILING NO. 1 GRADING AND EROSION CONTROL PLAN

TITLE: FILING NO. 1 GRADING AND EROSION CONTROL PLAN  
SCALE: 1"=30'  
DATE: 3/5/92

DRAWN BY: RKN  
CHECKED BY: DAM  
JOB NO. 89-566-00



MOUNTAIN SHADOWS  
FILING NO. 8